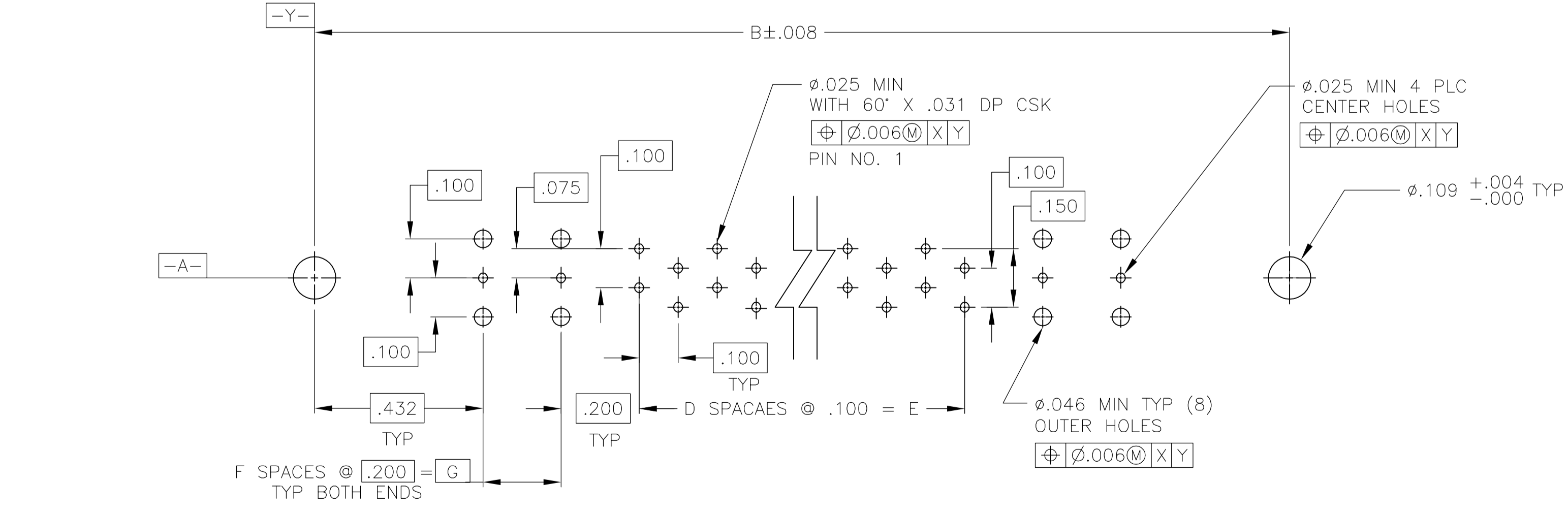
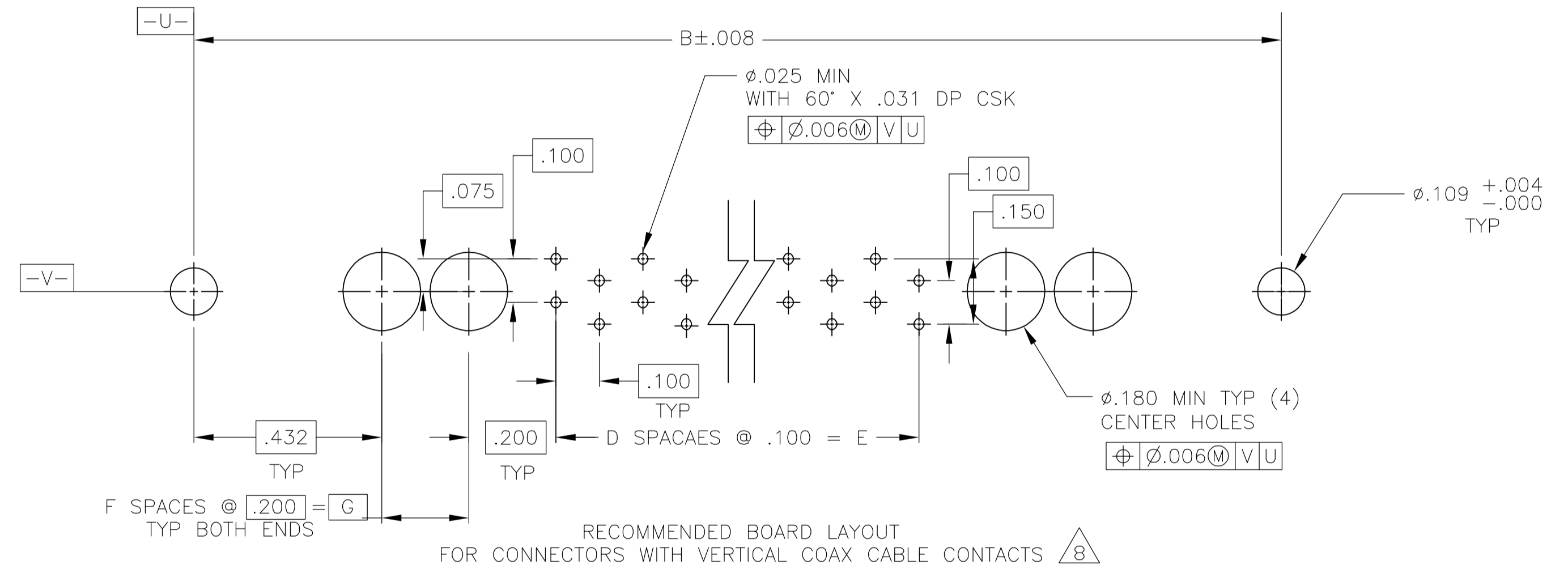
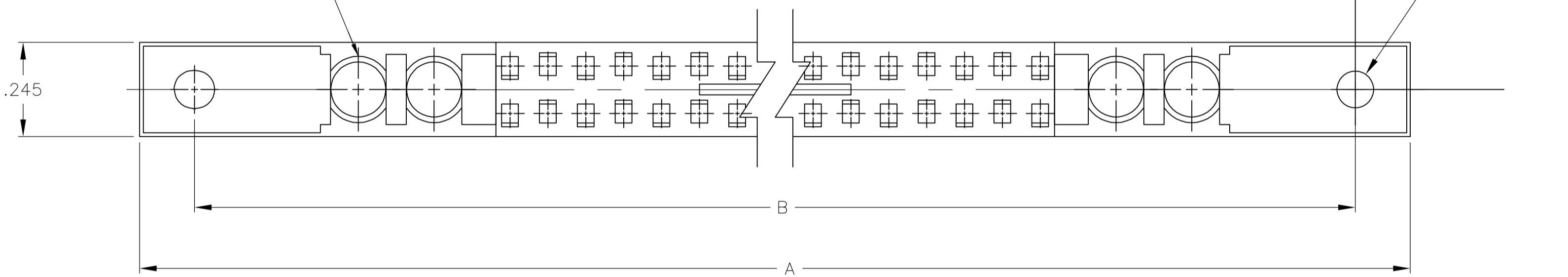
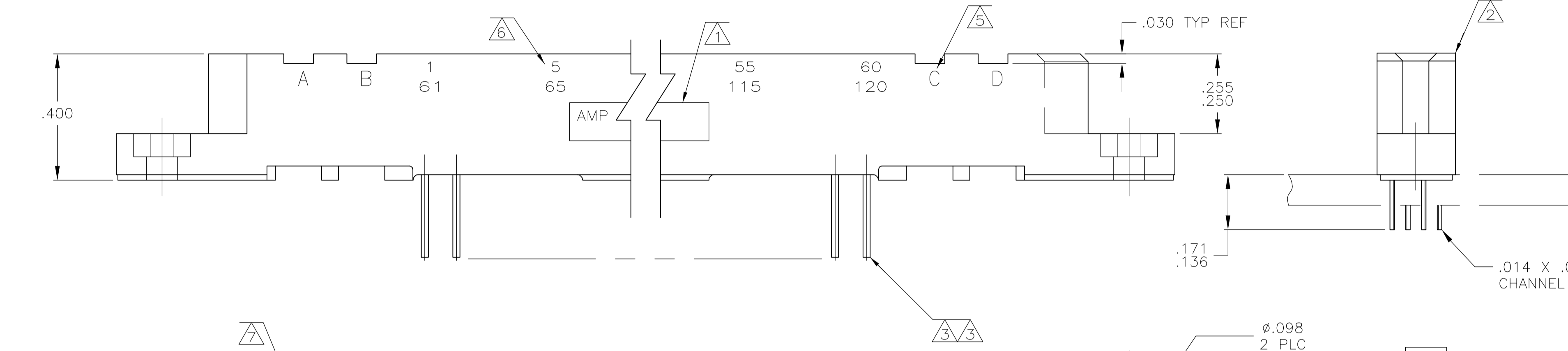


NUMBERS TO BE MARKED .062 HIGH (SEE CHART) AND LINES INDICATING EVERY 5 CAVITIES 3 DIGIT NUMBERS OMITTED DUE TO AREA RESTRICTIONS

- 1 "AMP" PART NO & DATE CODE MARKED WITHIN THIS AREA.
- 2 HOUSING MATERIAL: DIALLYL PHTHALATE, COLOR: BLUE.
- 3 CONTACT FINISH: .000050 GOLD IN CONTACT ENGAGEMENT AREA, .000100 MIN. TIN-LEAD ON CONTACT TAIL OVER .000030 MIN. NICKEL ON ENTIRE CONTACT.
- 4 CONTACT MATERIAL: BERYLLIUM COPPER (BeCu) OR COPPER NICKEL SILICONE (CuNiSi)
- 5 COAX POSITIONS (A,B,C,D) MARKED THIS SIDE ONLY.
- 6 NUMBERS INDICATING EVERY FIFTH CAVITY IS MARKED THIS SIDE.
- 7 WILL ACCEPT MICROMINIATURE COAX CONTACT: SEE AMP DATA SHEET 80-600. INSERT COAX CONTACT FROM THIS SIDE BEFORE MOUNTING TO P.C. BOARD
- 8 CONNECTOR SIDE



OBSOLETE	1 - 60	.200	1	5.900	59	7.565	7.565	7.855	4	120	1-533189-0
OBSOLETE	1 - 56	.200	1	5.400	54	7.065	7.065	7.355	4	110	533189-9
	55 - 110	.200	1	4.900	49	6.165	6.565	6.855	4	100	533189-8
OBSOLETE	1 - 46	.200	1	4.400	44	5.665	6.065	6.355	4	90	533189-7
OBSOLETE	1 - 41	.200	1	3.900	39	5.165	5.565	5.855	4	80	533189-6
OBSOLETE	1 - 36	.200	1	3.400	34	4.665	5.065	5.355	4	70	533189-5
OBSOLETE	1 - 26	.200	1	2.400	24	3.665	4.065	4.355	4	50	533189-4
	1 - 21	.200	1	1.900	19	3.165	3.565	3.855	4	40	533189-3
	1 - 16	.200	1	1.400	14	2.665	3.065	3.355	4	30	533189-2
OBSOLETE	1 - 31	.200	1	2.300	29	4.165	4.565	4.855	4	60	533189-1
	30 - 60	.200	1								
	CAVITY IDENT	G	F	E	D	C	B	A	NO OF COAX POS	NO OF BOX POS	ASSEMBLY NUMBER

THIS DRAWING IS A CONTROLLED DOCUMENT. **tyco Electronics** Tyco Electronics Corporation Harrisburg, PA 17105-3608

DIMENSIONS: INCHES	TOLERANCES UNLESS OTHERWISE SPECIFIED:	APVD: G. SCHAEFFER	NAME: G. SCHAEFFER
0 PLC ± -	1 PLC ± -	2 PLC ± -	3 PLC ± -
4 PLC ± .005	ANGLES ± -	APPLICATION SPEC	SIZE: A1
MATERIAL	FINISH	WEIGHT	SCALE: 4:1

RECEPTACLE ASSEMBLY, 1000 SERIES BOX, WITH 4 COAX CAVITIES, EXTERNAL KEYING, AND FLOW SOLDER CONTACTS

00779 ©=533189

CUSTOMER DRAWING SHEET 1 OF 1 REV F