

10

9

8

7

6

5

4

3

2

1

F

E

D

C

B

A

F

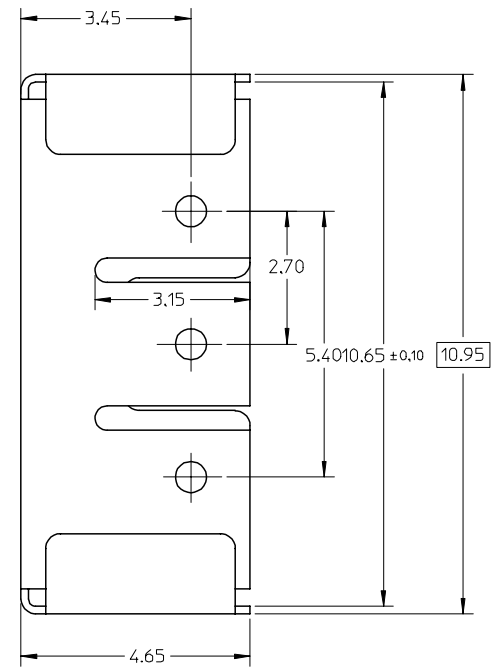
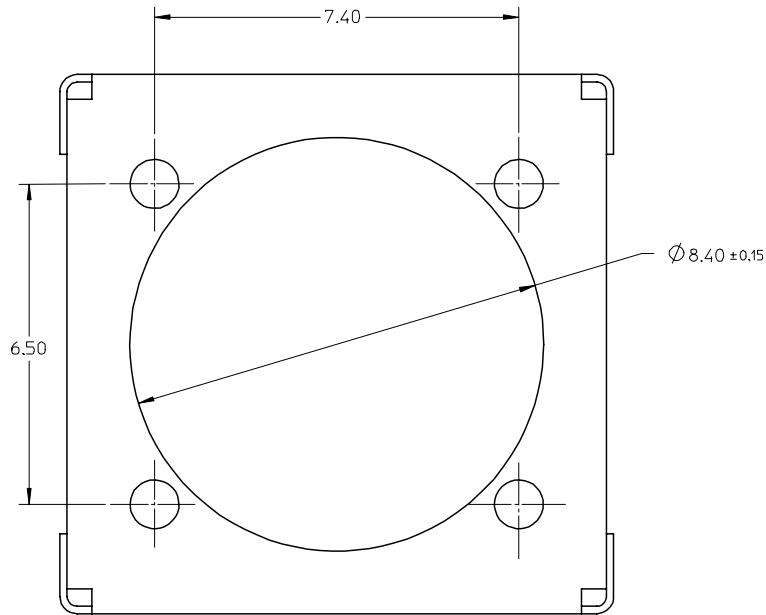
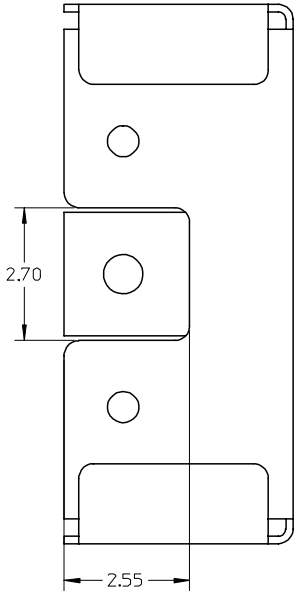
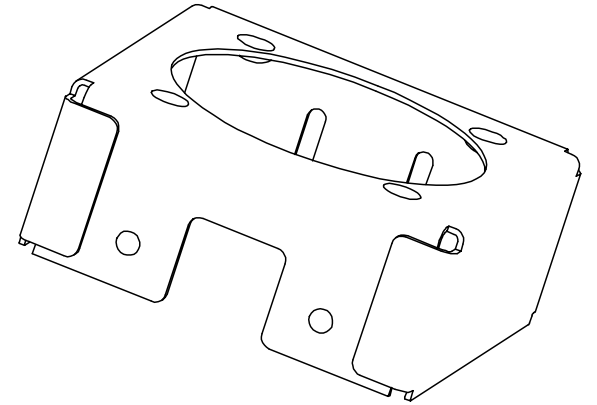
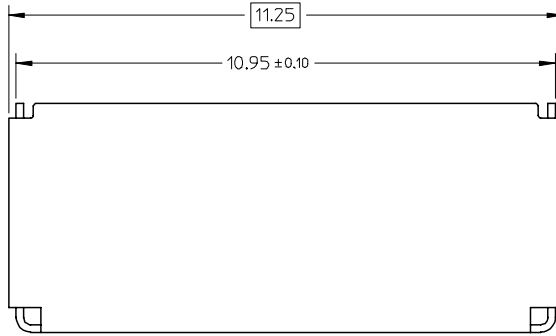
E

D

C

B

A



Notes:
1.MATERIALS:STAINLESS STEEL.
2.FINISH:NONPLATED.

RELEASE	EC NO: SH2007-0619	2007/03/01
	DRWN: IHE	2007/03/06
	CHKD: XIXU	2007/03/06
	APPR: JNCHEN	2007/03/06
REV	DESCRIPTION	

QUALITY SYMBOLS	DESCRIPTION
▽=0	
∇=0	

GENERAL TOLERANCES (UNLESS SPECIFIED)	
mm	INCH
4 PLACES ± ---	± ---
3 PLACES ± ---	± ---
2 PLACES ± 0.25	± ---
1 PLACE ± 0.25	± ---
ANGULAR ± 1 °	
DRAFT WHERE APPLICABLE MUST REMAIN WITHIN DIMENSIONS	

DIMENSION STYLE		SCALE	DESIGN UNITS	THIRD ANGLE PROJECTION
MM ONLY		10:1	METRIC	
DRAWN BY	DATE	TITLE		
IVAN HE	2006/06/16	TOP COVER FOR CAMERA SOCKET 8.5*8.5 TOP MOUNT		
CHECKED BY	DATE	MOLEX INCORPORATED		
XIXU	2006/06/16	MATERIAL NO. 473370005		
APPROVED BY	DATE	DOCUMENT NO. SD-47337-002		
JENNY CHEN	2006/06/16	SHEET NO. 1 OF 1		
SIZE	THIS DRAWING CONTAINS INFORMATION THAT IS PROPRIETARY TO MOLEX INCORPORATED AND SHOULD NOT BE USED WITHOUT WRITTEN PERMISSION			
A3				

9

8

7

6

5

4

3

2

1