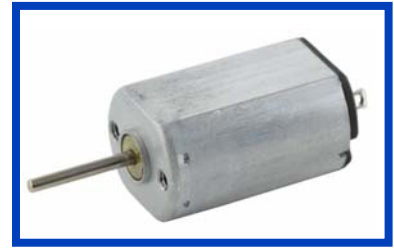
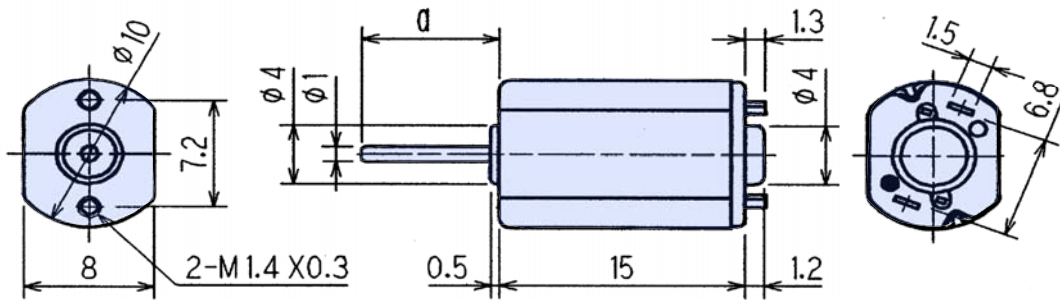


PKN7



Weight: 3.8 g

Outline UNIT:mm



Specifications

Model	Operating Voltage (V)	Rated Voltage (V)	No Load Speed (min ⁻¹)	No Load Current (mA)	Rated Load		Rated Load Speed (min ⁻¹)	Rated Load Current (mA)	Starting Torque		Starting Current (mA)	Shaft Length (mm)
					(gf·cm)	(mN·m)			(gf·cm)	(mN·m)		
PKN7EC70B	1 to 4	3.0	7787	11	1.0	0.1	5920	40	4.3	0.4	132	a=6.4
PKN7EC85D	1 to 4	3.0	11231	18	1.0	0.1	9444	60	6.4	0.6	278	a=9.4
PKN7EC10C	1 to 4	3.0	15344	28	2.0	0.2	11430	143	8.0	0.8	479	a=8.4
PKN7EB105C	1 to 4	3.0	15844	29	2.0	0.2	12130	151	8.7	0.9	550	a=8.4

Characteristics

