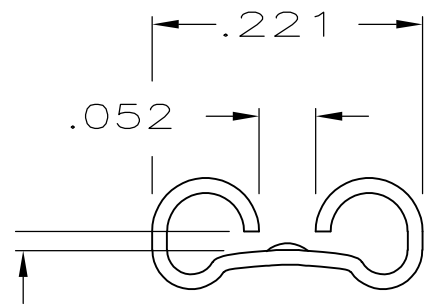
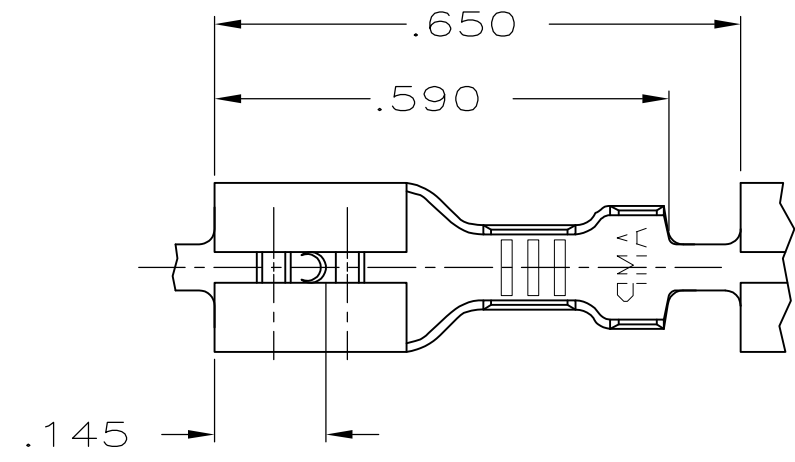


THIS DRAWING IS UNPUBLISHED. RELEASED FOR PUBLICATION
 © COPYRIGHT - By - ALL RIGHTS RESERVED.

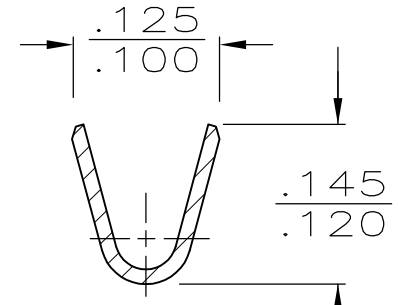
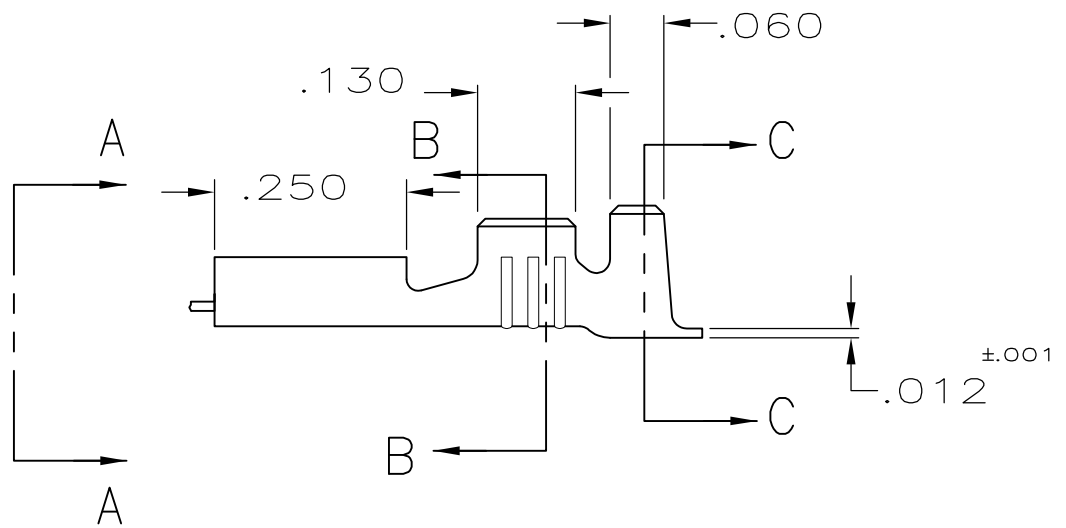
LOC		DIST		REVISIONS					
AF		50		P	LTR	DESCRIPTION	DATE	DWN	APVD
					AD	REVISED PER ECR-12-013445	18OCT12	KH	PD



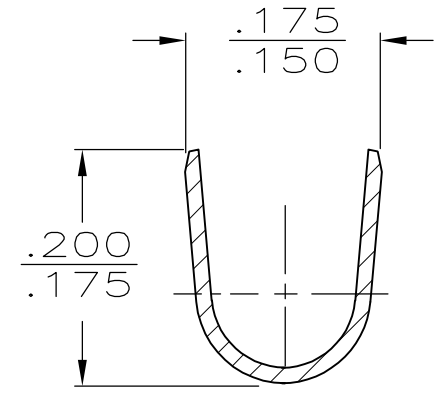
— FITS .187 SERIES FASTON TAB

VIEW A-A

1 CONTINUOUS STRIP ON REELS.



SECTION B-B



SECTION C-C

OBSOLETE	SILVER	#4H PH BRZ	.090-.130	20-16	.015 ±.001	42453-3
	TIN	BRASS	.090-.130	20-16	.015 ±.001	42453-2
OBSOLETE	—	#4H BRASS	.090-.130	20-16	.015 ±.001	42453-1
	FINISH	MATERIAL	INSULATION RANGE	WIRE SIZE	TAB THK.	PART NUMBER

THIS DRAWING IS A CONTROLLED DOCUMENT.		DWN	JR RUTH	10/3/86	TE Connectivity					
DIMENSIONS: INCHES		CHK	G YETTER	10/3/86				NAME .187 SERIES FASTON RECEPTACLE		
		APVD	R KUZO	10/27/96						
TOLERANCES UNLESS OTHERWISE SPECIFIED: 0 PLC ± - 1 PLC ± - 2 PLC ± - 3 PLC ± .015 4 PLC ± - ANGLES ± -		PRODUCT SPEC	—					CAGE CODE	C-42453	RESTRICTED TO
MATERIAL SEE ABOVE		FINISH SEE ABOVE		WEIGHT	—		DRAWING NO	G-42453		
CUSTOMER DRAWING				SCALE	NTS		SHEET	1 OF 1		
				REV	AD					