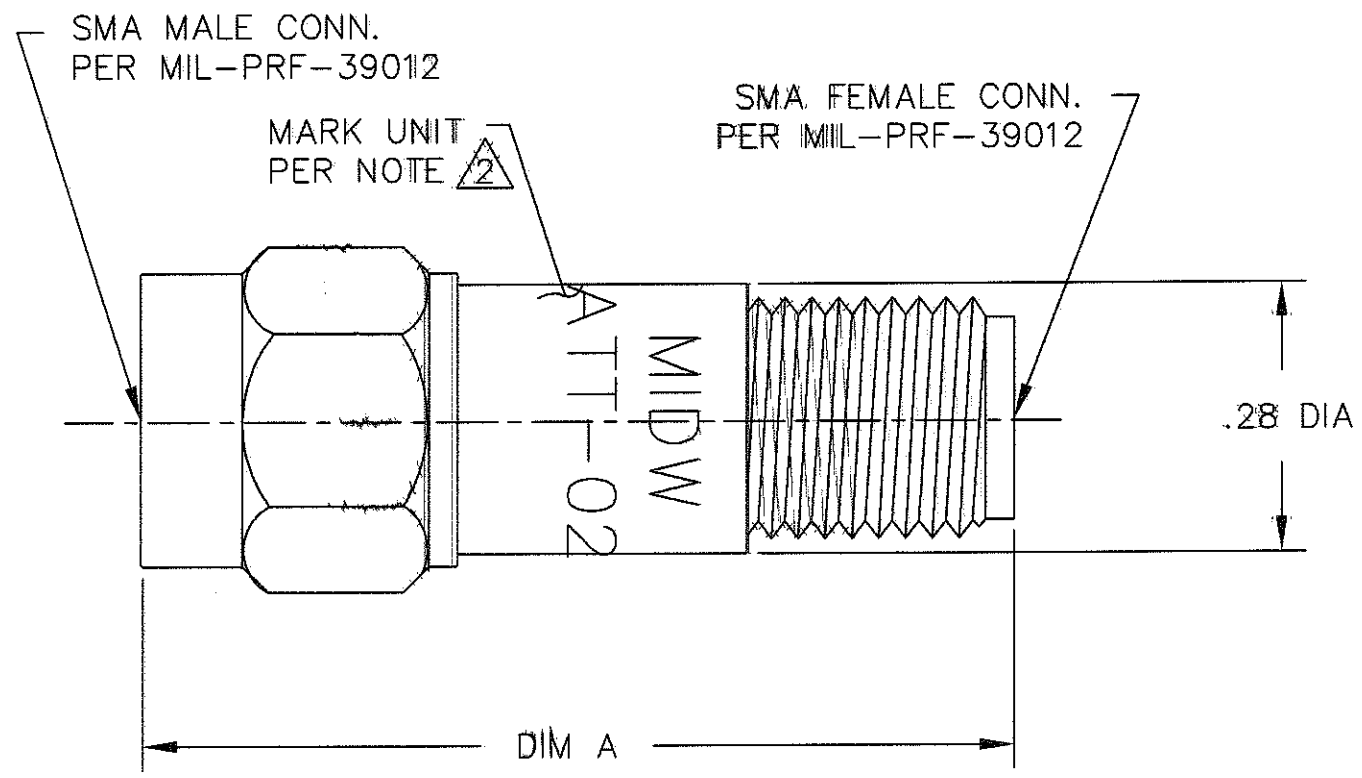


NOTES:

- 1.0 SPECIFICATIONS:
- 1.1 FREQUENCY RANGE: DC to 8.0 GHz
  - 1.2 ATTENUATION VALUES: 1 THRU 30dB  
IN 1dB INCREMENTS
  - 1.3 ATTENUATION ACCURACY:
    - 1-10dB ±0.3 dB
    - 11-20dB ±0.5 dB
    - 21-30dB ±1.0 dB
  - 1.4 MAXIMUM VSWR:  
1.07+.015f(GHz)
  - 1.5 MAXIMUM INPUT POWER: 2 WATTS AVG.  
AT +25°C DERATED LINEARLY TO 0.5  
WATTS AT +125°C
  - 1.6 OPERATING TEMP. RANGE: -65°C to +125°C
- △2 MARKING:  
2.1 MARK UNIT AS SHOWN  
(REF.: INK-09015-27-XX)



ATTENUATION VALUE	DIM A
1 - 12dB	.750
13 - 30dB	.875

REV.	DESCRIPTION	DATE
-	RELEASED	8/3/91
A	ECN 11574	2/18/92
b	ECN 11284	4/15/92
c	ECN 12138	11/4/92
C1	INK NO. 09016 TO 09015	1/3/94
C2	ADDED TITLEBLOCK	3/22/05
D	ECN 21185	1/10/07

UNLESS OTHERWISE NOTED DIMENSIONS ARE IN INCHES AND TOLERANCES ARE:  3 PLACE DECIMALS ±.005 2 PLACE DECIMALS ±.02 FRACTIONS ±1/64 PARALLELITY: T.I.R. _____ FLATNESS: T.I.R. _____ CONCENTRICITY: T.I.R. _____ ANGLES AND PERPENDICULARITY: ±1'	FSCM NO. <b>34078</b>	<b>MIDWEST MICROWAVE</b>
	NOTICE: The information contained in this drawing is proprietary and must not be used without the permission of Midwest Microwave.	
DRAWN/DATE C.RICKARD 7/31/91	ENG./DATE G.KOZAIK 8/2/91	TITLE  ATTENUATOR
CHECKED/DATE A.BEATTY 8/2/91	APPROVED/DATE	DRAWING NUMBER ATT-0277-XX-SMA-02
SCALE: 5=1		SHEET 1 of 1