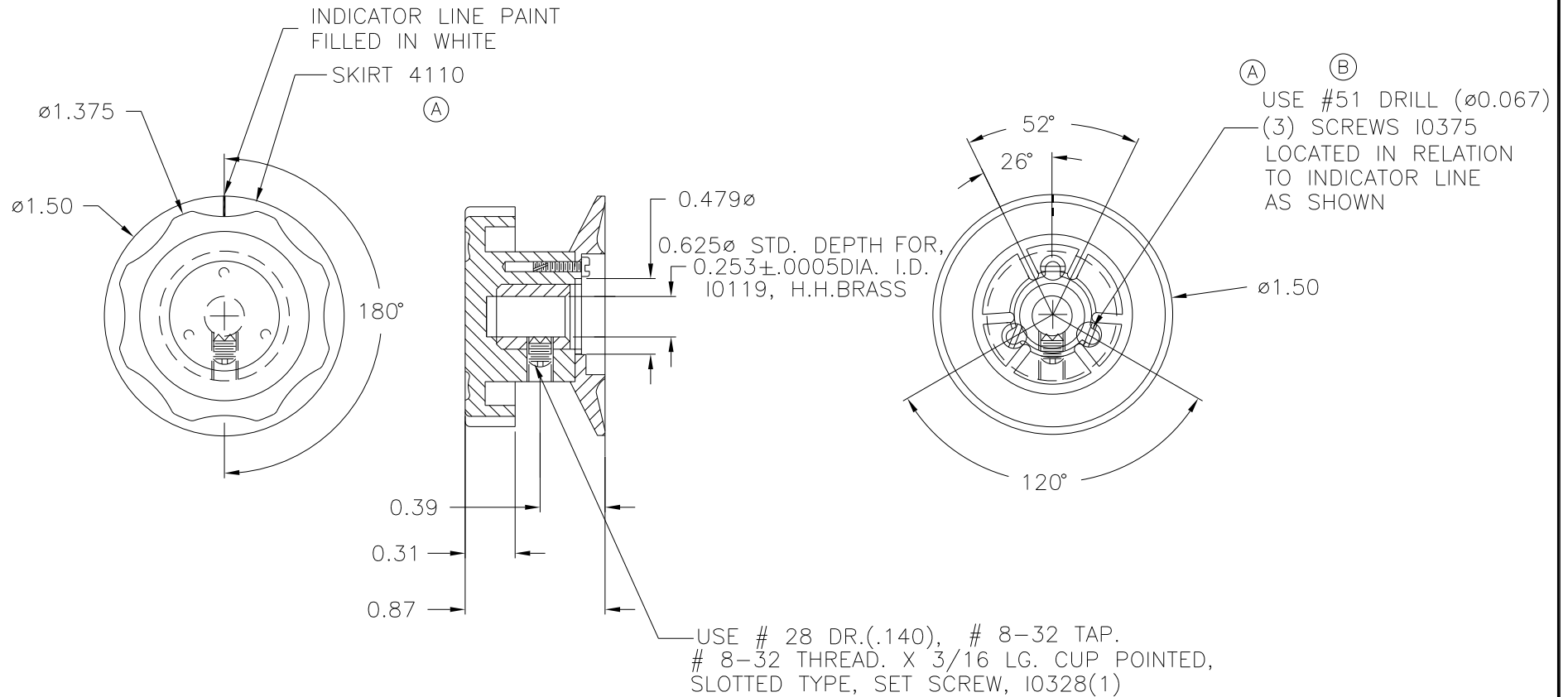


PART NAME: KNOB & SKIRT SCALE: 1:1 DATE: 5/9/97 DR. BY HD

DAVIES MOLDING COMPANY
CAROL STREAM, ILLINOIS 60188

| | |
|----------------------|---------|
| P/N 4106-G | |
| MOLD NO. # 4101-4110 | |
| (A) KNOB | 4101-01 |
| (A) SKIRT | 4110 |
| (A) SCREWS | I0375 |
| SET SCREW | I0328 |
| (A) INSERT | I0119 |

THIS DRAWING IS THE PROPERTY OF DAVIES MOLDING COMPANY, IS SUBMITTED SOLELY AS A DESIGN OR ENGINEERING PROJECT. WE ACCEPT NO RESPONSIBILITY WHATSOEVER FOR THE PRACTICAL APPLICATION OF THE PIECES MADE TO THIS DESIGN.



(A)
MATERIAL: G.P. PHENOLIC (B11)
COLOR: BLACK

| | | | | | |
|---|----------------------------------|---------|--|-----|---------|
| TOLERANCES: UNLESS OTHERWISE SPECIFIED | DO NOT SCALE DRAWING | B | WAS #50 | JAM | 2/5/14 |
| DECIMALS: X.XXX ± .005 X.XX ± .015 | MM: X.XX ± 0.15MM X.X ± 0.4MM | A | KNOB WAS 4101-C, SKIRT WAS 4110AQ, REMOVED I0122, ADDED INSERT I0119, ADDED DRILL NOTE, UPDATE MATERIAL | JAM | 3/25/09 |
| FRACTIONS ± 1/64 | ANG. ± 1° | CHANGES | | | |