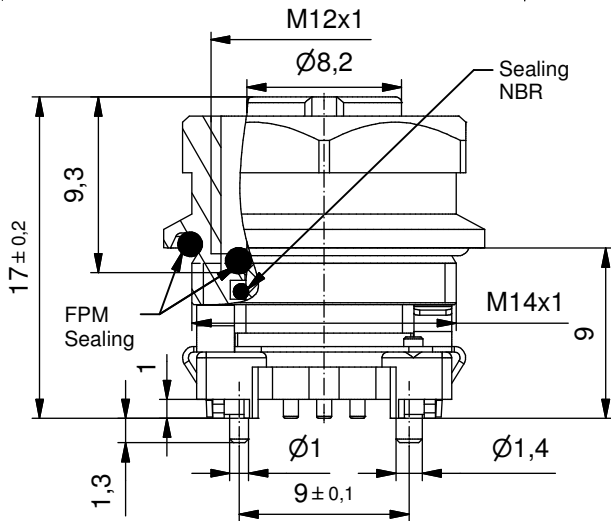


Technical specification:

Rated voltage: IEC 61076-2-101	4pos 5pos 250 V 60 V
Current rating: IEC 61076-2-101	4/5pos 4 A at 40°C
Insulation resistance: IEC 60512	>=100 MΩ
Pollution degree: IEC 60664-1	3/2
Degree of protection: IEC 60529	IP 67, in mated condition
Temperature range: EN 60512-11-10 EN 60512-11-4	-25°C ... +95°C -40°C -40°C ... +85°C



Mating cycles:
IEC 60512-9a >=100

Total spring forces shroud:
6,00mm 8-9N

Materials:

Contact:	CuZn, Ni b / Au 0,2 gal.
Contact carrier:	LCP GF, UL 94 V-0
Soldering sheet:	CuZn, Ni / tin plated
Shroud:	CuZn, Ni / sel. tin plated
Socket housing:	CuZn, Ni
Sealing:	FPM / NBR

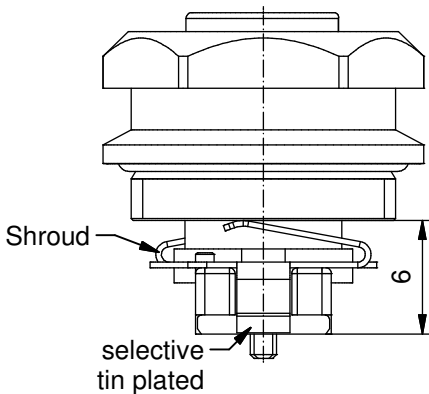
Installation specification:

Recommended torque: 0,8-1 Nm

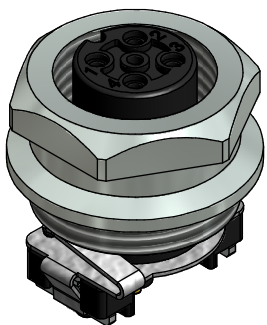
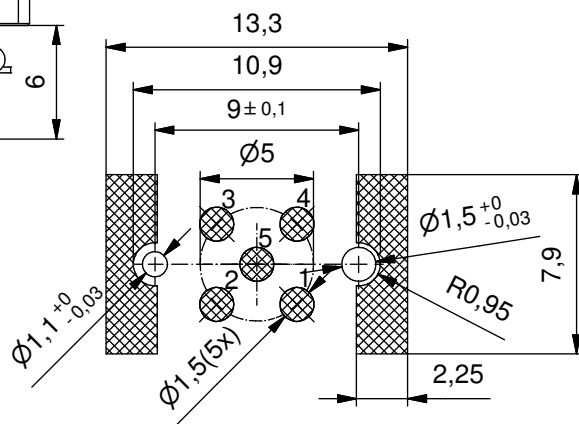
Conec installation tool: Torque wrench: 36-000200
Insert across flats 15: 36-000320

Contact carrier module suitable for reflow soldering max. 60s / 250°C

Coplanarity of all contacts, soldering sheets and shroud max 0,1mm



Layout proposal



Part no. packing unit Tape & Reel:	Part no. packing unit in bulk:	Description:	Pos
43-01854TR	43-01854	SAL - 12S - FK4 - X9 / 14 / SMT	4
43-01855TR	43-01855	SAL - 12S - FK5 - X9 / 14 / SMT	5

DO NOT ALTER CAD DRAWING BY HAND RoHS & REACH compliant	Index d 30.03.16 brü Ä6042 technical data changed & tolerance optimized		dim. in mm	title: Female socket M12x1 SMT, shielded	
			date		name
			drawn 12.10.11		Kniesburgess
		appd. 13.10.11	W.Schmidt	dwg no:	
general tolerance:		0 ± 0,50mm		43K1A1481	
		0,0 ± 0,25mm			
		0,00 ± 0,10mm		part no: see table	
		* ± 1,5°			
THIS DRAWING MAY NOT BE COPIED OR REPRODUCED IN ANY WAY, AND MAY NOT BE PASSED ON TO A THIRD PARTY WITHOUT WRITTEN PERMISSION. OWNERSHIP AND COPYRIGHT OF CONEC GmbH					
CONEC®					