

PI-EX-ES-1/3

Order No.: 2835325



<http://eshop.phoenixcontact.de/phoenix/treeViewClick.do?UID=2835325>

Ex basic terminal block, with three terminal points to the field level (Ex area)



Commercial data	
EAN	4017918164218
Pack	6 pcs.
Customs tariff	85369010
Weight/Piece	0.0894 KG
Catalog page information	Page 469 (IF-2009)

Product notes

WEEE/RoHS-compliant since:
04/23/2007



<http://www.download.phoenixcontact.com>
Please note that the data given here has been taken from the online catalog. For comprehensive information and data, please refer to the user documentation. The General Terms and Conditions of Use apply to Internet downloads.

Technical data	
General data	
Nominal voltage U_N	250 V
Nom. voltage	20 V DC ... 35 V DC (See nominal voltage, PI modules)
Width	17.5 mm

Height	92 mm
Depth	127.5 mm
Height with coupling plug NS 32	147.5 mm
Height with coupling plug NS 35/7,5	142.5 mm
Height with coupling plug NS 35/15	150 mm
Housing insulation material	Polyamide PA non-reinforced, polycarbonate PC, PVC
Inflammability class acc. to UL 94	V0 / V2
Color	green
Conformity	CE compliant
ATEX	Ex II (1) GD [EEx ia] IIC Ex II 3 G Ex nA II T4 X
Ambient temperature (operation)	-20 °C ... 60 °C
Ambient temperature (storage/transport)	-40 °C ... 85 °C

Connection data

Connection 1	To the control system level
Type of connection	PCB / screw terminal block (4-pos.)
Conductor cross section stranded min.	0.2 mm ²
Conductor cross section stranded max.	2.5 mm ²
Conductor cross section solid min.	0.2 mm ²
Conductor cross section solid max.	4 mm ²
Conductor cross section AWG/kcmil min.	24
Conductor cross section AWG/kcmil max	12
Screw thread	M3
Connection 2	To the field level
Type of connection	Screw connection
Conductor cross section stranded min.	0.2 mm ²
Conductor cross section stranded max.	2.5 mm ²
Conductor cross section solid min.	0.2 mm ²
Conductor cross section solid max.	2.5 mm ²
Conductor cross section AWG/kcmil min.	24
Conductor cross section AWG/kcmil max	14
Screw thread	M3
Stripping length	8 mm
Tightening torque, min	0.5 Nm
Tightening torque max	0.6 Nm

Certificates / Approvals



Certification	GOST
Certification Ex:	KEMA-EX, PxC-EX

Accessories

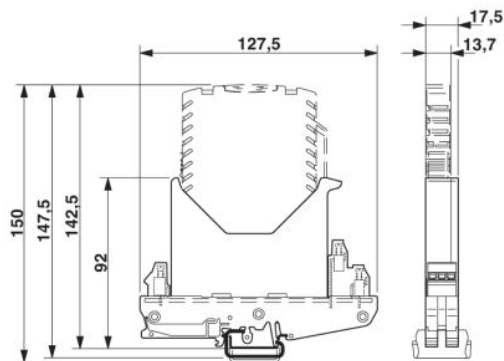
Item	Designation	Description
------	-------------	-------------

Bridges

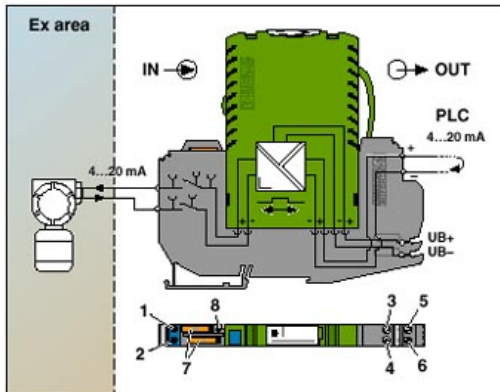
2820916	DB 50- 90 BK	Wire bridge, Color: black
2821180	DB 50- 90 BU	Wire bridge, Color: blue
2820929	DB 50- 90 GY	Wire bridge, Color: gray

Diagrams/Drawings

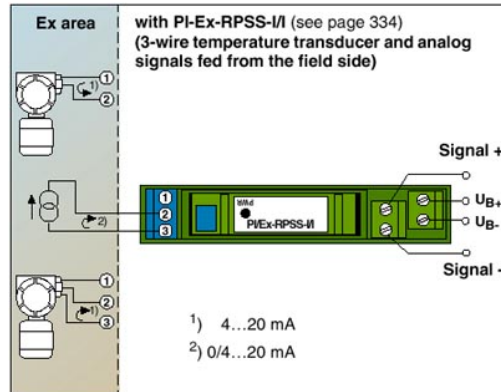
Dimensioned drawing



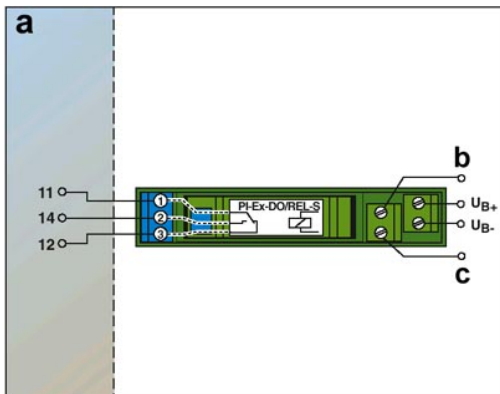
Circuit diagram



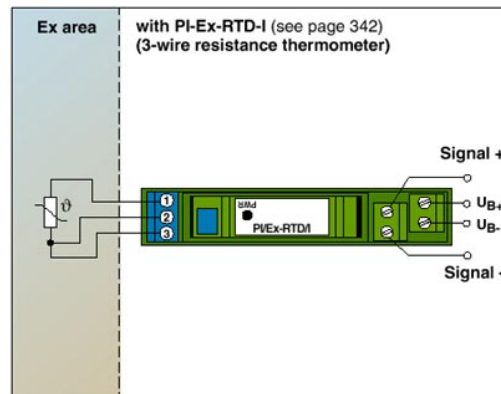
- 1 ≙ Measurement transducer supply "+"
- (Clamping screw with integrated female test connector)
- 2 ≙ Current input
- (Clamping screw with integrated female test connector)
- 3 ≙ Output signal "+"
- 4 ≙ Output signal "-"
- 5 ≙ U_{B+} / supply "+ 20...35 V DC
- 6 ≙ U_{B-} / supply "-"
- 7 ≙ Disconnect knife with integrated female test connector
- 8 ≙ Female test connector



- 1) 4...20 mA
- 2) 0/4...20 mA



- a = Ex area
- b = Control signal +
- c = Control signal -



Approbationslogos (EX-Bereich)



Address

PHOENIX CONTACT Inc., USA
586 Fulling Mill Road
Middletown, PA 17057, USA
Phone (800) 888-7388
Fax (717) 944-1625
<http://www.phoenixcon.com>



© 2010 Phoenix Contact
Technical modifications reserved;