

SLIC Protection for RJ11 Ports in IP-PBX

ITU-T Solution

Solution Products



TBU-PL060-200-WH



TISP4500H3BJR

Objective

The SLIC (Subscriber Line Interface Circuit) provides all of the BORSCHT functions such as battery, ringing and supervision between the codec and telephone handset. This PortNote® Solution discusses negative battery voltage solutions against surge and power contact threats.

Solution

- 1 TBU® High-Speed Protector:
TBU-PL060-200-WH
- 2 Thyristor Surge Protectors:
TISP4500H3BJR

Compliance

ITU-T Basic K.20, K.21, K.45.

- 230 V_{rms}, 23 A, 900 seconds withstand.
- Increased surge withstand to 4 kV 10/700 μs without a primary protector.

Alternate Recommendations

Other PortNote® Solutions:

- Dual Supply Voltage SLIC Protection - ITU-T Solution
- Negative Battery Voltage SLIC Protection - GR-1089-CORE Intra-building Solution
- SLIC Protection - GR-1089-CORE Intra-building Solution

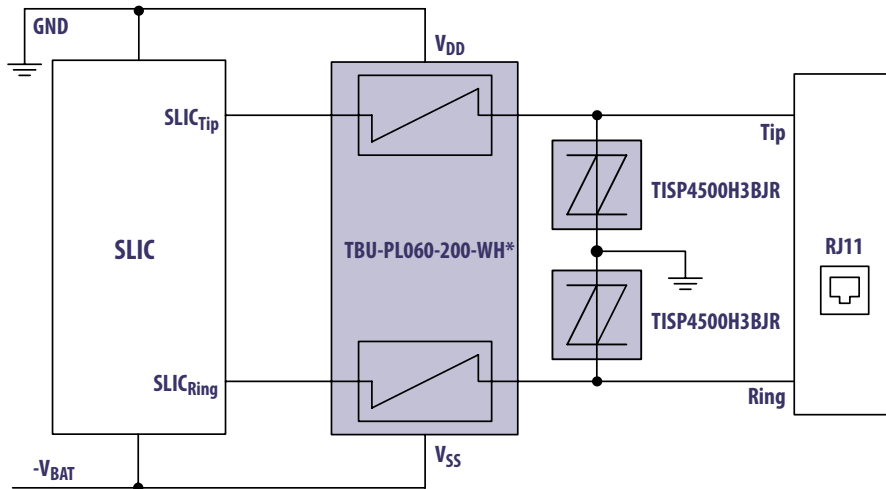
Benefit

This solution provides a high level of protection in a small PCB area.

Design Kit



PN-DESIGNKIT-49



The schematic above illustrates the application protection and does not constitute the complete circuit design. Customers should verify actual device performance in their specific applications.

*Note: The VE950 series (e.g., Le9500, Le9520, Le9530, Le9540) require a 200 mA $I_{trigger}$. TBU® High-Speed Protector (HSP) for normal operation. All other SLICs may use 100 mA $I_{trigger}$. TBU® HSP devices.