

HONEYWELL  
PART NUMBER  
ZW10F15CD1

REV	DATE	DOCUMENT	CHANGED BY	CHECK
A				

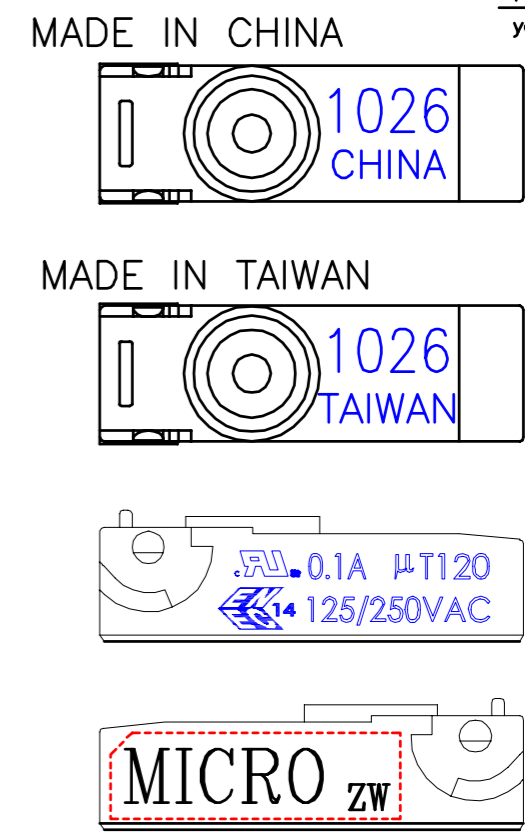
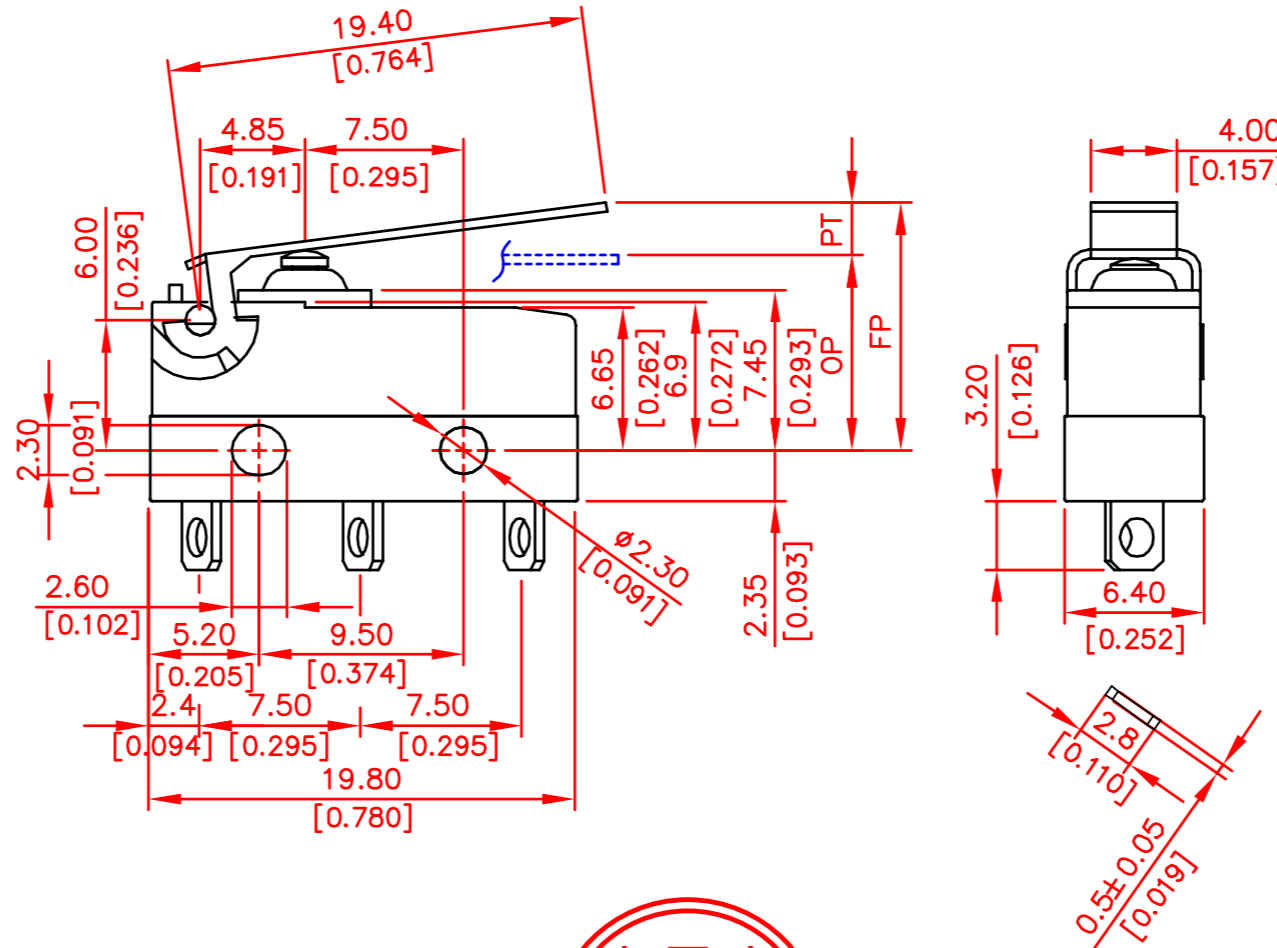
**Operation Characteristics**

Operating Force (OF)	Max. 66 gf
Releasing Force (RF)	Min. 13 gf
Free Position (FP)	Max. 14.8 mm
Operating Position (OP)	8.8 ± 1.2 mm
Movement Differential (MD)	Max. 0.7 mm
Over-travel (OT)	Min. 1.0 mm
Pre-travel (PT)	Max. 4.8 mm

DATE CODE  
**1026**  
year week

**Specifications**

Initial Contact Resistance	Max. 30 mΩ. Before measure the switc contact resistance, please press the switch three times on and off. (Measured by ohm meter-Open Voltage<1VDC, Driver current-100mA)
Initial Dielectric Strength	1000 VAC(50-60HZ)/minute between contacts 1, 500VAC(50-60HZ)/minute between Live-parts and dead metal parts.
Circuit Arrangement	SPDT (Single pole double throw)
Rating	0.1A 125/250VAC
Service Life	Min. 1,000,000 operations
Rating Load	Resistive Load
Operating Frequency	10-30 operations per minute
Safety certificate	UL, cUL, ENEC14, CE
IP Code:	IP 00
Mechanical Service Life	Min. 1,000,000 operations.
Operating Frequency	Max. 400 operations per minute



**Environments**

Storage Temperature	-25°C~85°C( with no icing )
Storage Humidity	at 40°C, Max. 85% R.H
Soldering By Hand	300°C maximum within 5 seconds.
Soldering Bath	260°C maximum within 5 seconds.

DESIGN UNITS: MM  
TOLERANCES UNLESS NOTED:

NO PLACES	X	±	1.000
ONE PLACE	.X	±	0.40
TWO PLACE	.XX	±	0.40
THREE PLACE	.XXX	±	0.40
ANGLES	X	±	3.0°

THIRD ANGLE PROJECTION

APPROVAL	CHECK	DRAWN
King	Leon	Morris
THIS DRAWING COVERS A PROPRIETARY ITEM AND IS THE PROPERTY OF HONEYWELL. THIS DRAWING IS NOT TO BE COPIED OR USED WITHOUT THE PERMISSION OF HONEYWELL. INTERPRET PER ASME Y14.5M-1994 OTHER HONEYWELL ENGINEERING STANDARDS MAY APPLY		
AUTOCAD		

<b>Honeywell</b>				
TITLE SWITCH				
SIZE	TYPE	CAGE CODE	DRAWING NAME	REV
A4	-	-	ZW10F15CD1	A
SCALE	4 : 1	SHEET		1 OF 1