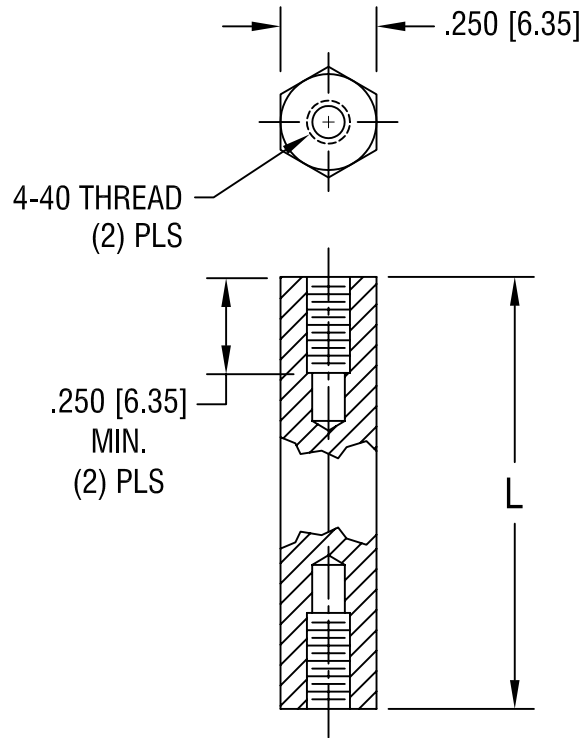


THIS DOCUMENT IS THE PROPERTY OF
KEYSTONE ELECTRONICS CORP. AND
SHALL NOT BE REPRODUCED, DISTRIBUTED
OR USED AS A BASIS FOR MANUFACTURE
WITHOUT PRIOR WRITTEN PERMISSION
FROM KEYSTONE ELECTRONICS CORP.



PART NO.	'L' DIM.
1831	1.500 [38.10]
1832	2.000 [50.80]

KEYSTONE ELECTRONICS CORP.			
ASTORIA, N.Y. 11105-2017			
PART NAME THREADED HEX STANDOFF			
MATERIAL BRASS			
FINISH ZINC PLATE		DRN BY BOONE	DATE 2.12.98
		APP'D LN	SCALE 2X
DATE 7.29.05	DESCRIPTION CHANGE AS PER ECN 05-054	REV. A	TOLERANCES INCH [MM] DECIMAL $\pm .005$ [± 0.15] ANGULAR $\pm 1^\circ$ UNLESS OTHERWISE SPECIFIED
			CODE C/M
			DWG NO. 1831-1832

DATE	DESCRIPTION	REV.
7.29.05	CHANGE AS PER ECN 05-054	A