



PRODUCT DATASHEET

Tina series

last update 26/7/2012

DETAILS

Product Number	CA12400_TINA2-D
Family	Tina
Type	Assembly
Color	white
Diameter	16,1 mm
Height	10,47 mm
Style	round
Optic Material	PMMA
Holder Material	
Fastening	tape
Status	production ready
ROHS Compliant	Yes
Date Updated	26/07/2012



OPTICAL PROPERTIES

LED	Viewing Angle	Light Beam	Effi- ciency	cd/lm	Connector
CL-L400	26 deg	Diffuser	93 %	3.200	-

D

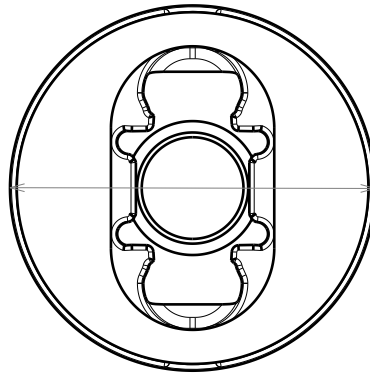
C

B

A

4

4



∅16.1

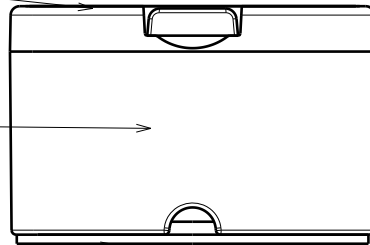
3

3

Lens

Holder

Tape 0.4mm

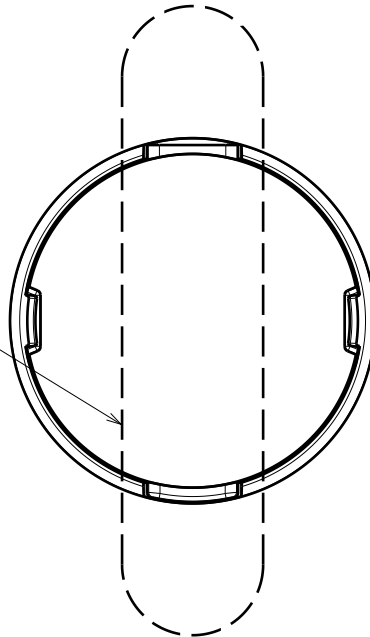


10.47

2

2

Oval beam direction
(0-90 is turned 90 degree)



MATERIALS
 Lens: PMMA
 Holder: PC
 Tape: PU Foam

This drawing is our property.
 It can't be reproduced
 or communicated without
 our written agreement.



Ledil Oy
 Salorankatu 10
 FIN-24100 SALO
 Finland

DRAWING TITLE

Datasheet Tina2-CLL

DRAWN BY

ah

DATE

16.5.2012

CHECKED BY

DATE

16.5.2012

DESIGNED BY

ah

DATE

18.10.2011

SIZE

A4

DRAWING NUMBER

SCALE

3:1

WEIGHT (g)

-

REV

1

SHEET

1/1

D

A

1

1

NOTE: The typical divergence will be changed by different color, chip size and chip position tolerance. The typical total divergence is the full angle measured where the luminous intensity is half of the peak value.