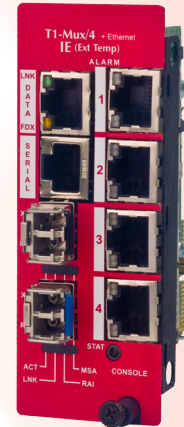


**The IE-iMcV-T1-Mux/4 Transports Four T1 Extensions and One RS-232 Serial Link Over a Fiber Optic Line With Optional 1+1 Protection and Full-Bandwidth 10/100 Ethernet Support.**

### Features and Benefits

- Four independent T1 ports on RJ-48 connectors
- T1 ports can be remotely disabled by user
- AIS generation on signal loss on all T1 and fiber interfaces
- Supports local and remote loopback functions
- One full bandwidth, 10/100BaseT Ethernet port
- Auto Negotiation or forced modes on the Ethernet port
- Supports Jumbo Ethernet frames to 1916
- Supports "Pause" Frames
- User defined bandwidth limiting on Ethernet port
- AutoCross MDI/MDIX on Ethernet port
- Supports the Link Fault Pass-Through Function (LFPT) on the Ethernet port
- Dual SFP fiber ports with 1+1 protection switching
- B8ZS or AMI T1 line code (T1 ports)
- One end-to-end serial RS-232 port to 125 Kbps on an RJ-45 connector
- Both Host/Remote are managed from the Host unit
- Command Line Interface (CLI) management provided via one MiniJack RS-232 console port
- Remote Graphical User Interface (GUI) management through a managed iMediaChassis
- SNMP Alarm TRAP reporting in managed chassis, including Last Gasp
- Full LED diagnostics on front panel



*\* SFPs sold separately*

The IE-iMcV-T1-Mux/4 is a managed modular media converter, installed as a Host/Remote pair, that transports four independent T1 lines over a single or dual fiber optic line. The module is ideal for applications requiring TDM extension, such as remote office PABX connectivity, with support for a full bandwidth 10/100BaseT Ethernet connection over the same optical link.

The iMcV-T1-Mux/4 detects, Ethernet, T1 and fiber LOS events as well as degraded lines with full LED indications including a Remote Alarm Indicator (RAI) over the fiber link. Fiber redundancy (1+1) on removable SFP modules offers the enhanced reliability of a protected fiber link while supporting the complete range of optical types and distances. The 1+1 protection system automatically switches to the best fiber line within 50 milliseconds, should one line become impaired or fail.

The IE-iMcV-T1-Mux/4 features an independent serial link (RS-232) which is carried over the same fiber link(s), and can be used for transporting serial traffic from other equipment located at the remote point of presence (POP) back to the central office. The unit also supports an independent RS-232 console port for local monitoring and configuration of the unit by technical support personnel.

MEDIA CONVERSION

## Technical Specifications

- Configured as Host/Remote pairs (DIP Switch selection)
- RoHS-Compliant
- Double-wide module for iMediaChassis, MediaChassis and IE-MediaChassis chassis (2 slots required)
- SNMP management via the GUI-based iView<sup>2</sup> application software
- Last Gasp Trap
- Local RS-232 Console port
- 10/100BaseT Full Bandwidth (144,800 fps/FDX)
- Two MSA compliant optical SFP slots
- Four T1 copper ports
- RS-232 (Transparent to 125 Kbps)

### Connectors:

- Four RJ-48 T1 ports DTE, 120 Ω
- Two SFP slots
- One RS-232 on Minijack
- One 10/100BaseT on RJ-45
- One RS-232 on RJ-45

### Regulatory Approvals:

- FCC Class B
- CE
- IEEE-802.3u
- ITU-T G.703 (Pulse Shape)
- ITU-T G.824 (Jitter)
- ITU-T-G.775 (AIS, LOS)

### Dimensions:

Double-wide chassis module

### Shipping Weight:

1.1 lbs. (0.50 kg)

### Operating Temp:

32° to 160°F (0° to +70°C);  
5% to 95% (non-condensing),  
0 – 10,000 ft. altitude

### Storage Temp:

-40° to +160°F (-40° to +70°C);  
5 to 95% (non-condensing)

### Power Rating (Dual SFP Configuration):

4.2 W Typical, 5.5W Max.

## Fiber Optics Specifications

The unit supports any MSA compliant SFP with a 155 Mbps bandwidth rating. DDMI capabilities are supported through the iView<sup>2</sup> management software when the unit is installed in a managed chassis. IMC Networks provides a complete range of SFP units in both Single and Dual fiber versions with a full range of wavelengths and distance ratings. For complete power budgets and information on calculating specific distances, visit [www.imcnetworks.com/go/fcs](http://www.imcnetworks.com/go/fcs) or contact IMC Networks Fiber Consulting Services at 949-465-3000 for a free consultation.

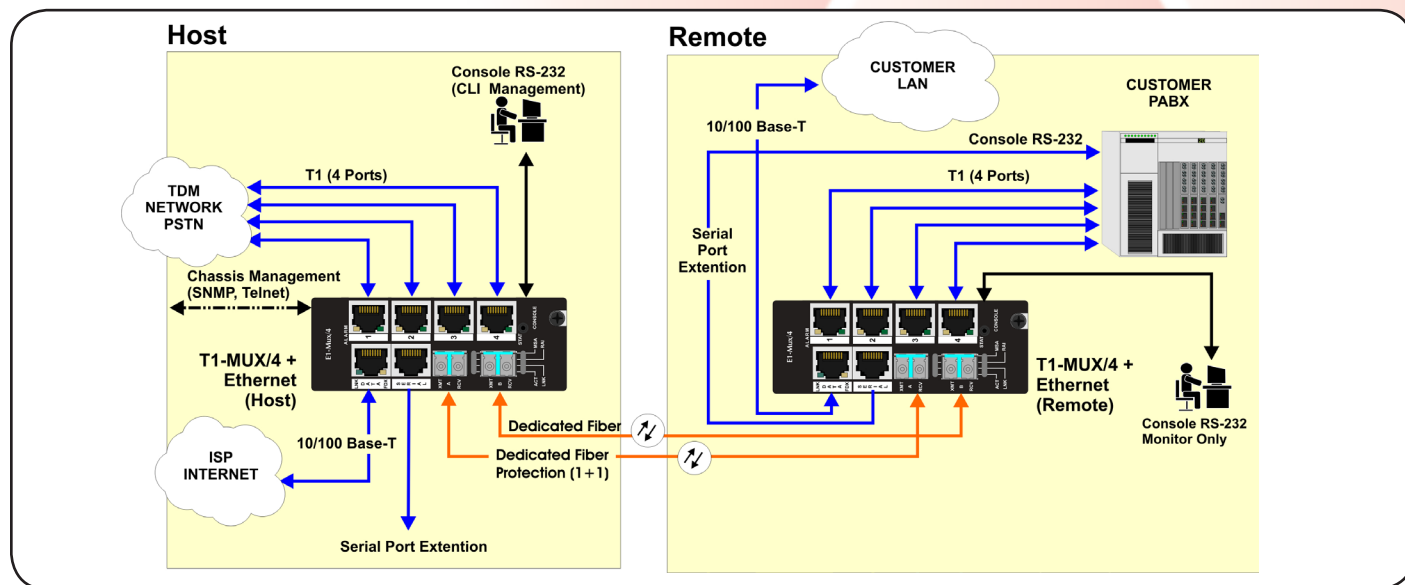
## Ordering Information

| PART NUMBER                                | DESCRIPTION   | DISTANCE      |
|--|---|---------------|
| <b>IE-iMcV-T1-Mux/4 + Ethernet, 2 SFPs</b> |   |               |
| 857-18110                                  | iMcV-T1-Mux/4, SFP (requires one or two SFP/155 Module(s)) <sup>§</sup> | 2 km to 80 km |
| <b>IE-iMcV-T1-Mux/4 Accessories</b>        |   |               |
| 825-39951                                  | Serial Cable, Minijack to DB9 (female)                                  |               |

<sup>§</sup> SFP modules are sold separately. For more information on IMC Networks' SFPs, go to: [www.imcnetworks.com/Products/product.cfm?family=32](http://www.imcnetworks.com/Products/product.cfm?family=32)

## Application Example

In a typical application, a Customer PABX is provided with up to four T1 lines from the Public Switch Telephone Network (PSTN) over a protected optical link. In addition, the customer location can receive a full bandwidth, 100BaseT Ethernet connection to the Internet from the local Internet Service Provider (ISP) over the same, protected, optical link. In this example, the RS-232 "Console" port of the remote PABX is also carried back to the Host location for remote management of the customer located PABX, using the end-to-end serial RS-232 port on the IE-iMcV-T1-Mux/4.



**IMC Networks**  
Headquarters  
19772 Pauling  
Foothill Ranch, CA 92610  
TEL: 949-465-3000  
FAX: 949-465-3020

**IMC Networks**  
Europe  
Herseltsesteenweg 268  
B-3200 Aarschot, Belgium  
TEL: +32-16-550880  
FAX: +32-16-550888  
[eurosales@imcnetworks.com](mailto:eurosales@imcnetworks.com)

**IMC Networks**  
Eastern US/Latin America  
28050 U.S. Hwy. 19 North, Suite 306  
Clearwater, FL 33761  
TEL: 727-797-0300  
FAX: 727-797-0331  
[latinsales@imcnetworks.com](mailto:latinsales@imcnetworks.com)

**IMC Networks**  
Fiber Consulting Services  
For information call:  
TEL: 949-465-3000  
1-800-624-1070 (US/CAN)  
+32-16-550880 (Europe)  
[fcs@imcnetworks.com](mailto:fcs@imcnetworks.com)

Copyright © 2012 IMC Networks. All rights reserved. The information in this document is subject to change without notice. IMC Networks assumes no responsibility for any errors that may appear in this document. Specific product names may be trademarks or registered trademarks and are the property of their respective companies.