



PRODUCT DATASHEET

Leila series

last update 3/9/2014

DETAILS

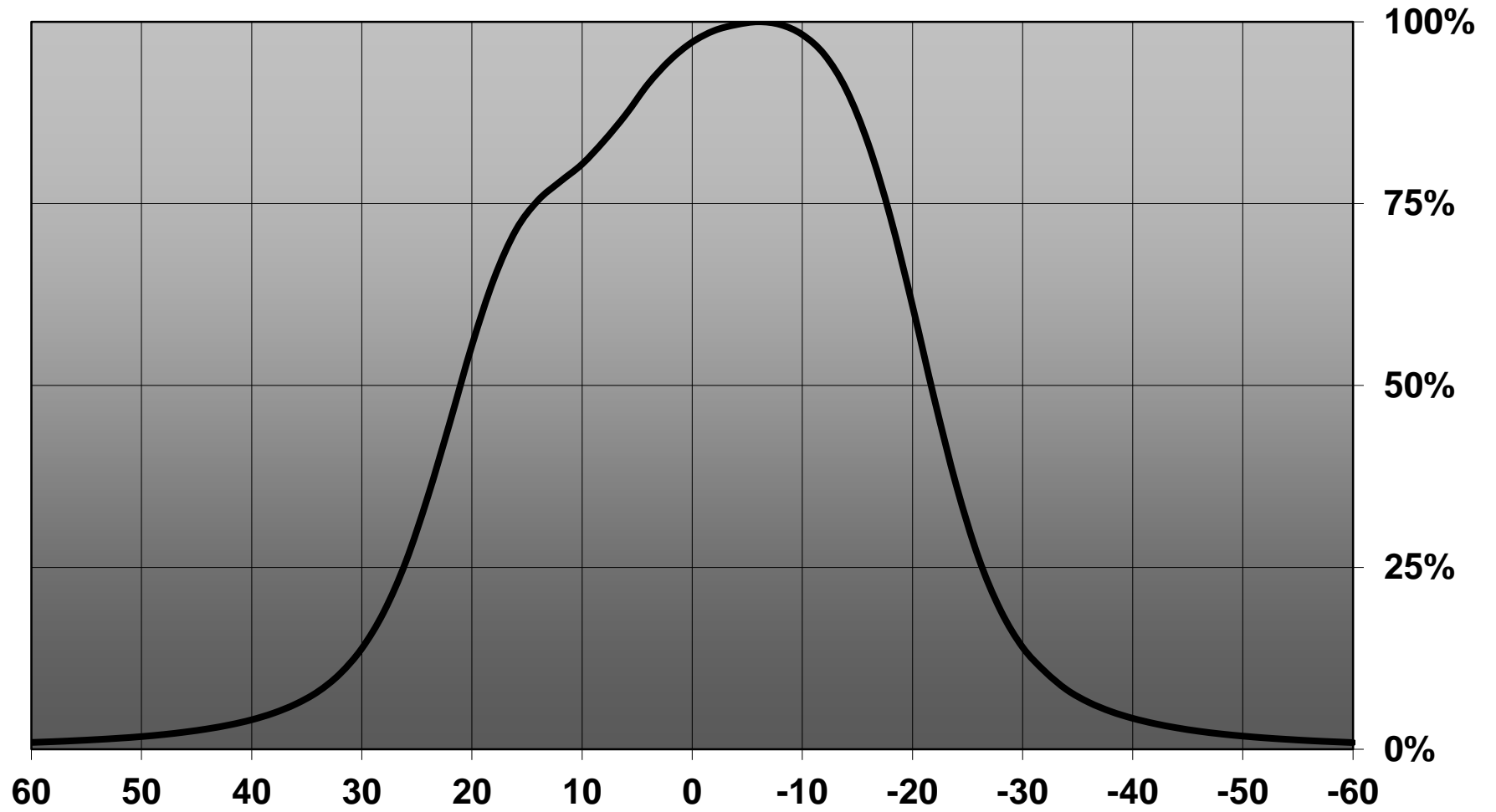
Product Number	CA12394_LR2-W
Family	Leila
Type	Assembly
Color	white
Diameter	21,6 mm
Height	14,8 mm
Style	round
Optic Material	PMMA
Holder Material	
Fastening	tape
Status	production ready
ROHS Compliant	Yes
Date Updated	3/09/2014



OPTICAL PROPERTIES

LED	Viewing Angle	Light Beam	Efficiency	cd/lm	Connector
LUXEON T	46 deg	Wide	89 %	1.400	-
LUXEON Z ES	43 deg	Wide	88 %	1.800	-
LUXEON TX	45 deg	Wide	90 %	1.600	-

Relative intensity of CA12394_LR2-W_(Luxeon Z ES)

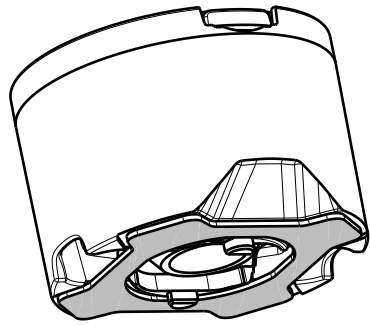


D

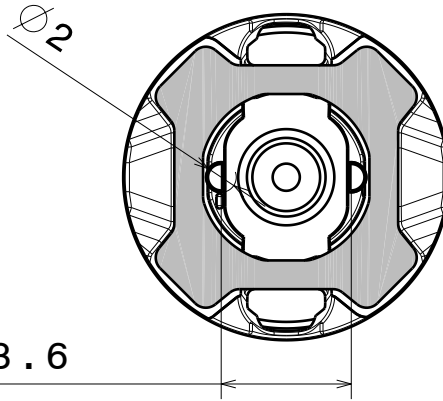
C

B

A



Isometric view



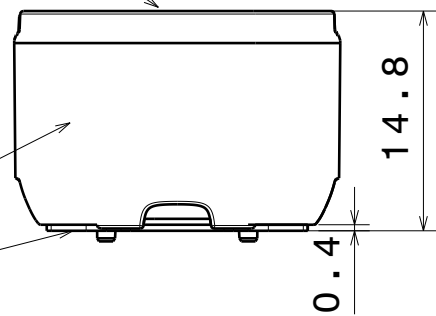
8.6

c / c

Lens

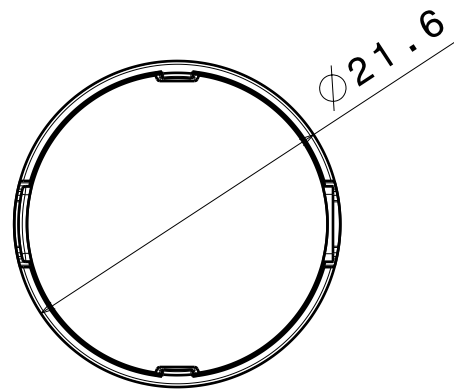
CA11703 LR2 LH1-holder-tape

tape



14.8

0.4



Top view

Materials:
 Lens: PMMA
 Holder: PC white
 Tape: PU FOAM

Codes:
 CA11929_LR2-ES-RS
 CA11930_LR2-ES-D
 CA11931_LR2-ES-M
 CA11932_LR2-ES-O-90
 CA12394_LR2-W-WHT

This drawing is our property.
 It can't be reproduced
 or communicated without
 our written agreement.



L
T
F
F

e
e
i
i
N
n

d
h

DRAWING TITLE

Datasheet LR2-ES series assy

DRAWN BY

DATE

ca

21.11.2011

CHECKED BY

DATE

sn

21.11.2011

DESIGNED BY

DATE

pl

27.08.2010

SIZE

A4

DRAWING NUMBER

-

REV

2

SCALE

1:1

WEIGHT (g)

SHEET

1/1

D

A

4

4

3

3

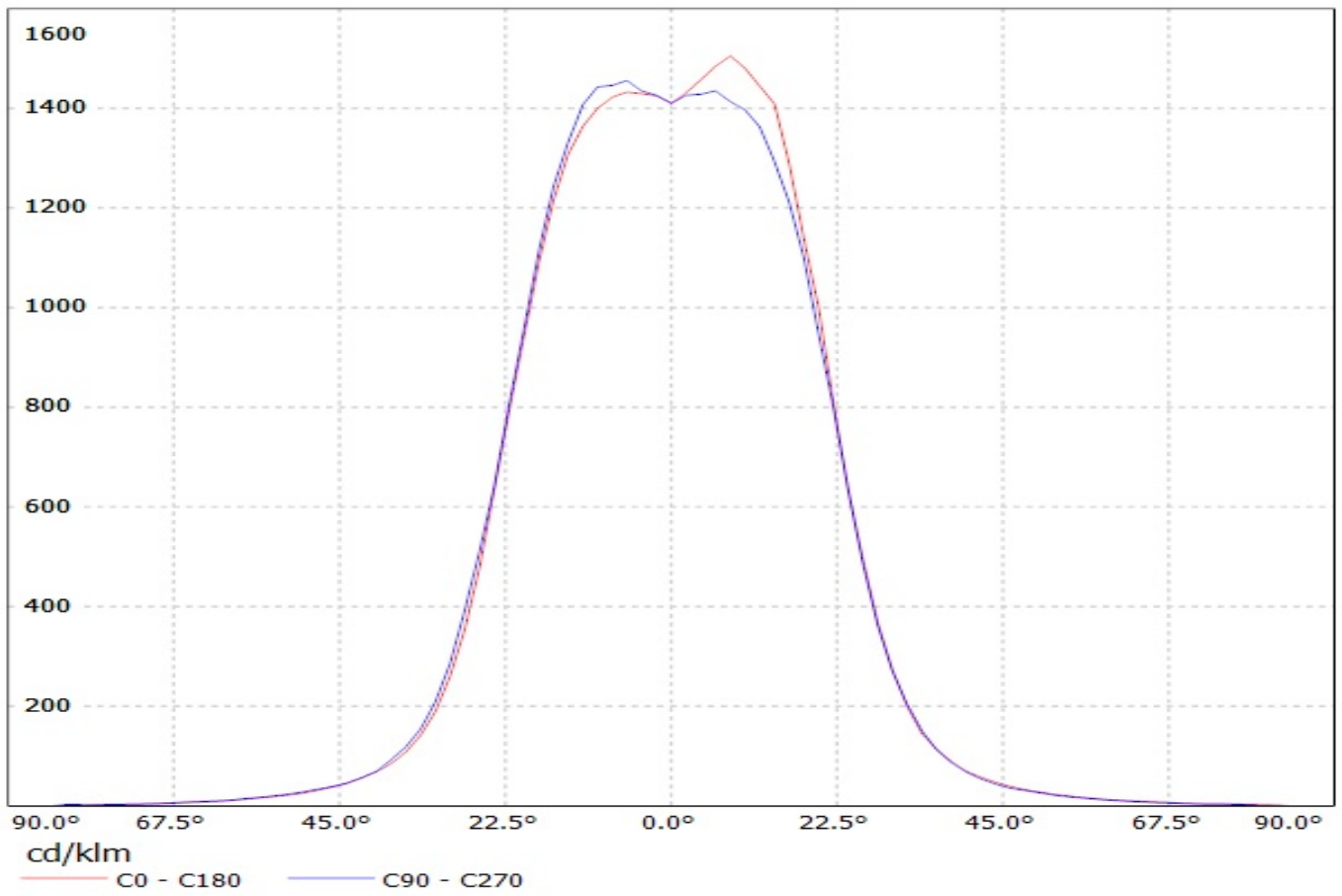
2

2

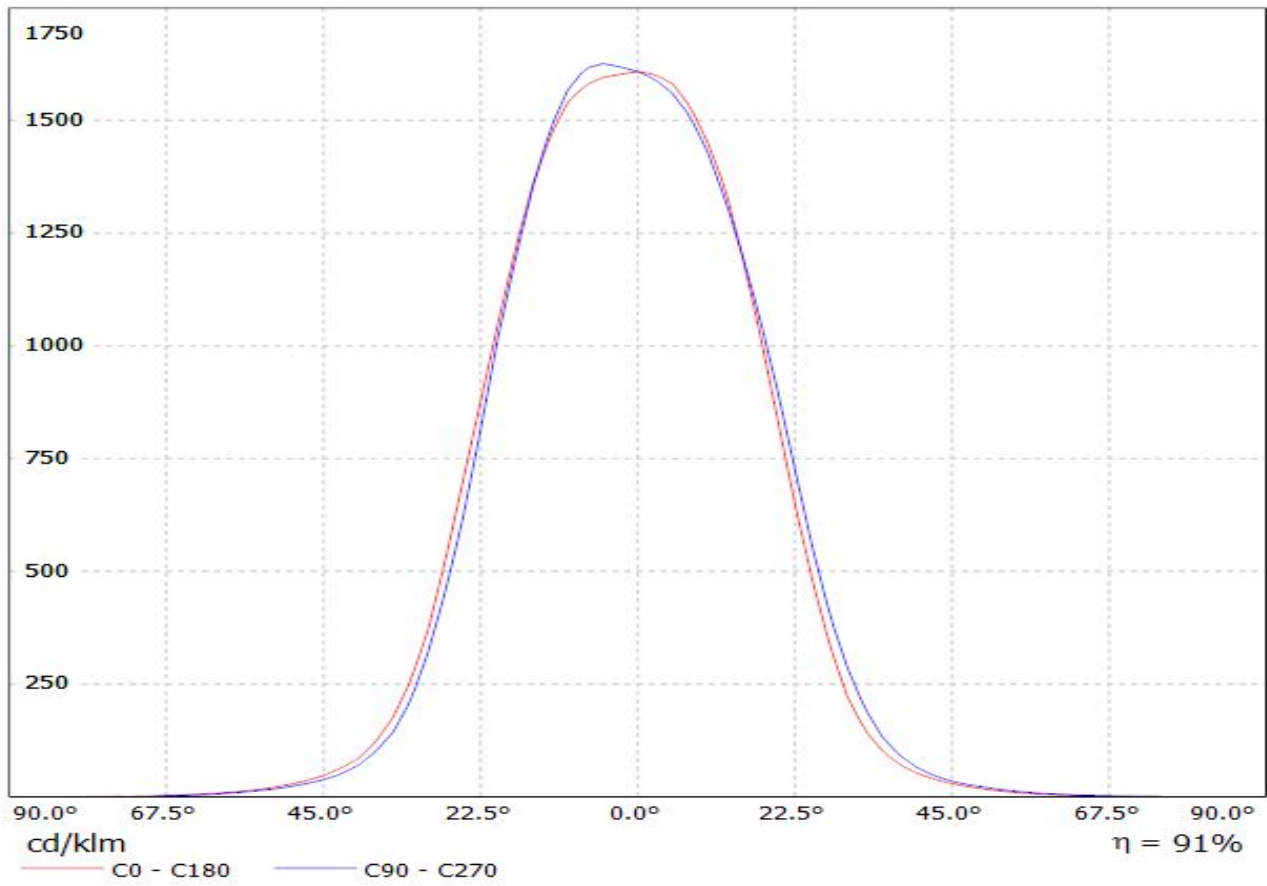
1

1

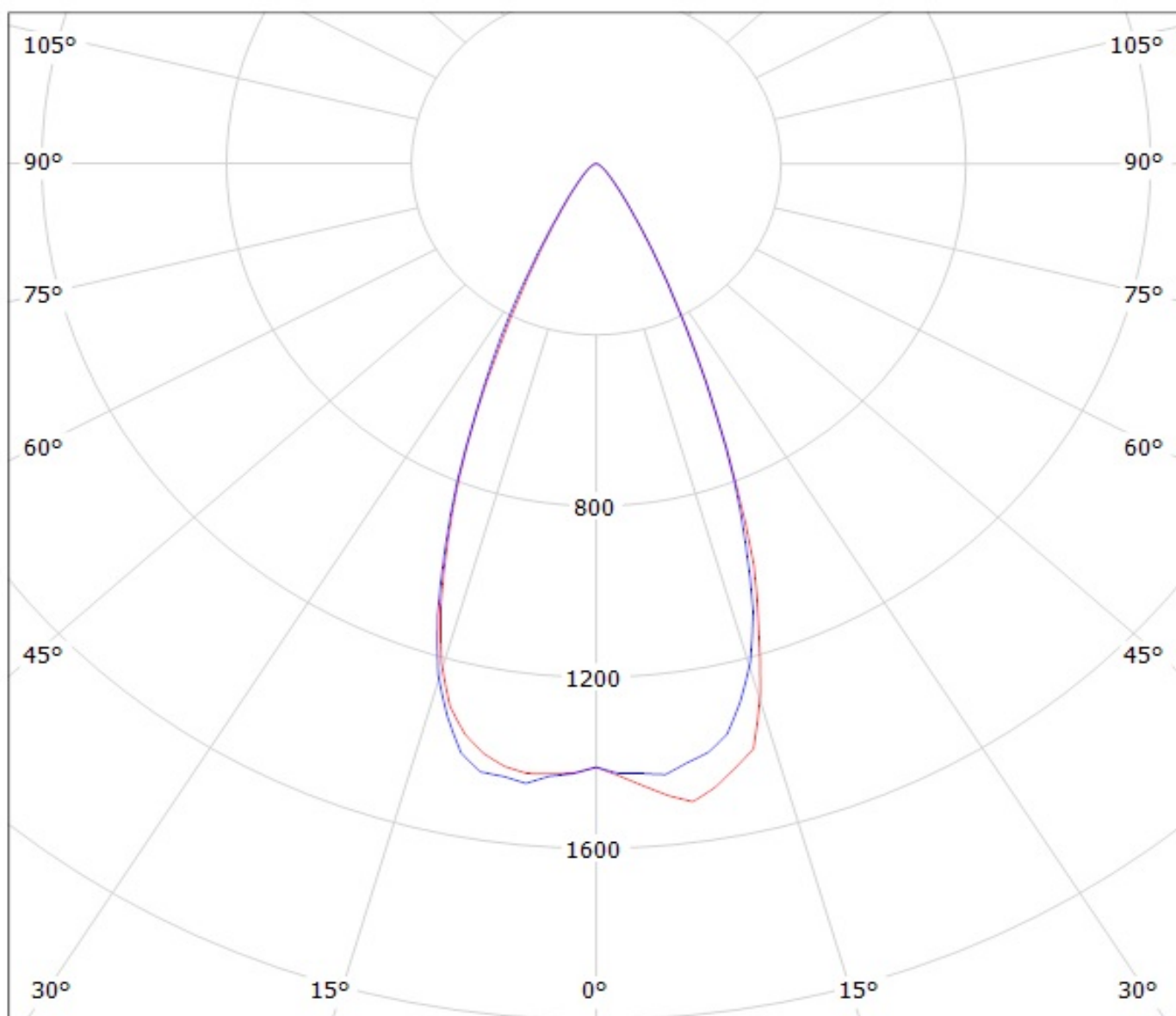
Luminaire: Ledil Oy CA12394_LR2-W (Luxeon T 72 lm @ 250 mA) Efficiency=89%
Lamps: 1 x Luxeon T 72 lm @ 250 mA



Luminaire: Ledil Oy CA12394_LR2-W_(Luxeon_TX) Efficiency=90%
Lamps: 1 x Luxeon TX 108lm @ 250mA CCT= P=0.73W I=250mA



Luminaire: Ledil Oy CA12394_LR2-W (Luxeon T 72 lm @ 250 mA) Efficiency=89%
Lamps: 1 x Luxeon T 72 lm @ 250 mA

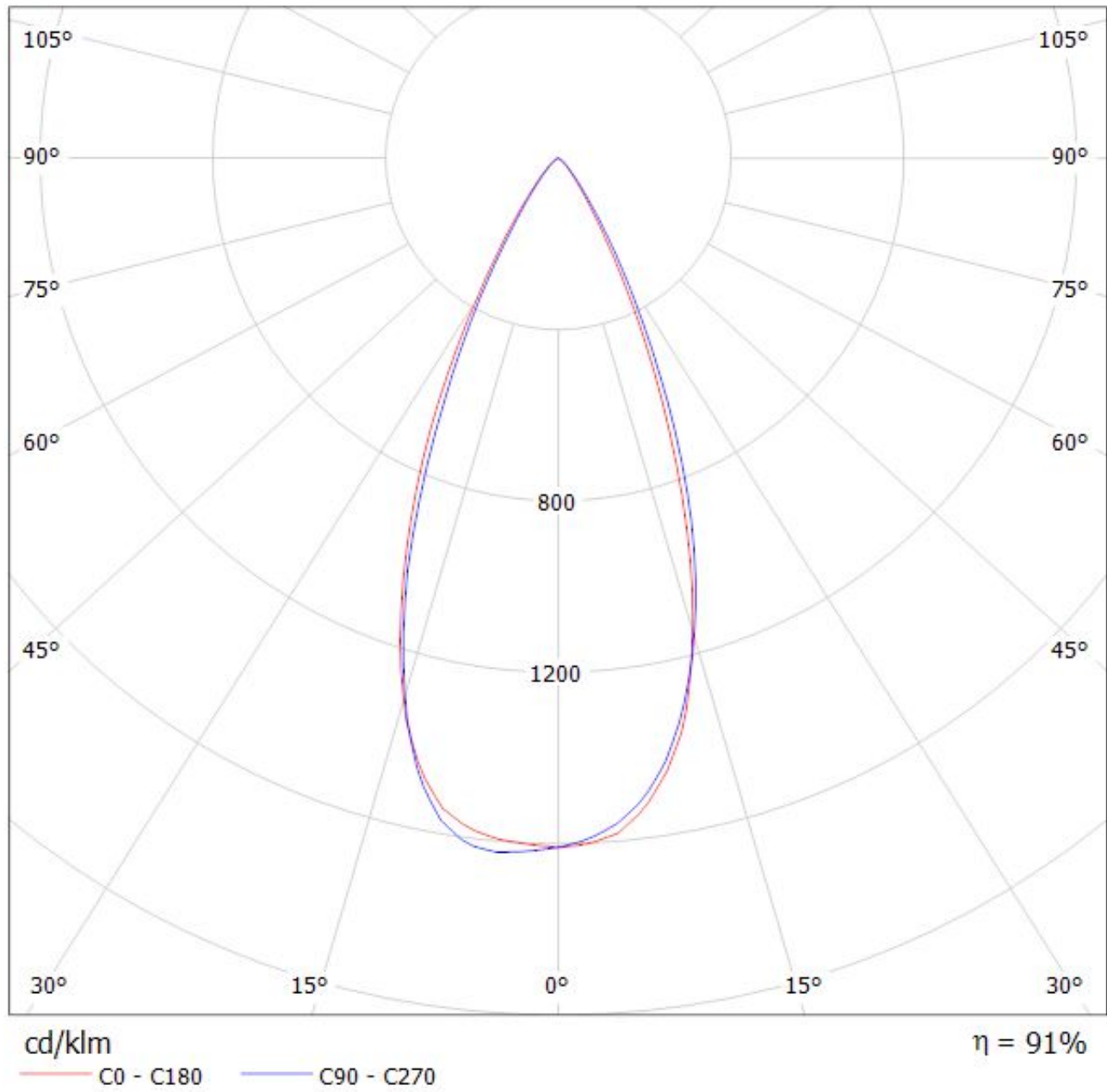


cd/klm

— C0 - C180

— C90 - C270

Luminaire: Ledil Oy CA12394_LR2-W_(Luxeon_TX) Efficiency=90%
Lamps: 1 x Luxeon TX 108lm @ 250mA CCT= P=0.73W I=250mA



NOTE: The typical divergence will be changed by different color, chip size and chip position tolerance. The typical total divergence is the full angle measured where the luminous intensity is half of the peak value.