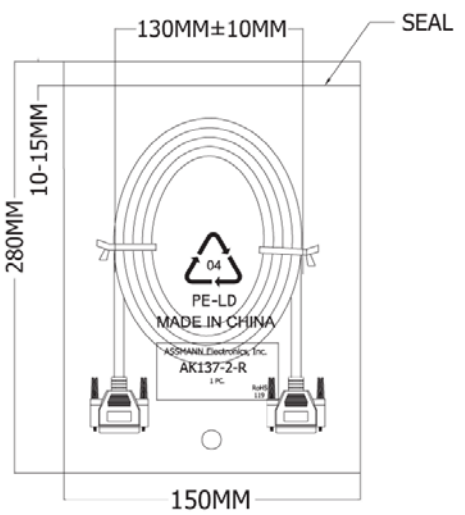
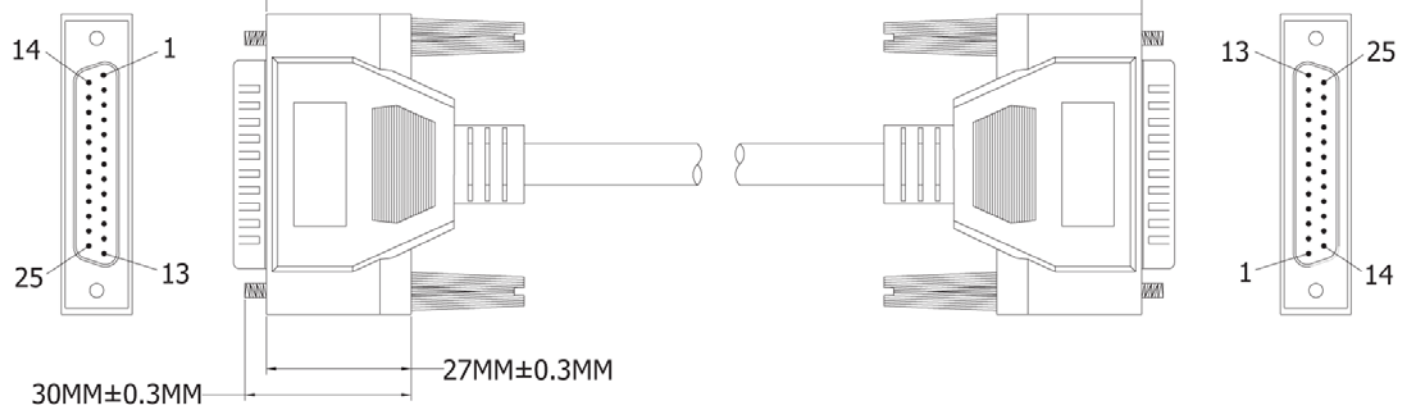


A  
B  
C  
D  
E  
F  
G  
H

A  
B  
C  
D  
E  
F  
G  
H

**P1**

**P2**



PIN ASSIGNMENT		
P1	BLACK	P1
1	BROWN	1
2	RED	2
3	ORANGE	3
4	YELLOW	4
5	GREEN	5
6	BLUE	6
7	PURPLE	7
8	GRAY	8
9	WHITE	9
10	PINK	10
11	LIGHT/GREEN	11
12	RED/BLACK	12
13	ORANGE/BLACK	13
14	YELLOW/BLACK	14
15	GREEN/BLACK	15
16	BLUE/BLACK	16
17	PURPLE/BLACK	17
18	WHITE/BLACK	18
19	RED/WHITE	19
20	ORANGE/WHITE	20
21	GREEN/WHITE	21
22	BLUE/WHITE	22
23	PURPLE/WHITE	23
24	BROWN/WHITE	24
25	SHELL	25
SHELL	DRAIN	SHELL

**Material:**

- Cable: NOUL 28AWG\*25C+D+AL/MY
  - OD: 6.5MM
  - Color: Beige
- Connectors: DB 25 Pin Soder Type
  - Pin G/F
  - Shell: Ni-Plated
  - Insulator Color: Blue
- Inner Jacket: Clear LD-PE
- Outer Jacket: PVC 40P (Beige)
- Screw: #4-40UNC Type, Nickel Plated

**Electrical:**

- 100% Open short & mis wire test
- Contact Resistance: 5Ω Max.
- Insulation Resistance: 10Ω Min.
- Hi-Pot: 300V DC / 10MS



Scale	1:1						Name	Item No.
TOLERANCE						Drawn	11.14.11	<b>AK137-2</b>
X.X	±0.40					Approved		
X.XX	±0.25							Title
X.XXX	±0.15							Serial / Parallel Connection Cable, 25 Pin Male <=> 25 Pin Male, 2 Meters
Angle	±3°							Drawing No.
								<b>rev00</b>
								Replace
								Sheet
			Modification	Date	Name			

