

PLEASE CHECK WWW.MOLEX.COM FOR LATEST PART INFORMATION

Part Number: [19005-0008](#)
Status: **Active**
Description: InsulKrimp™ Fully Insulated Coupler, Female, for 14-16 AWG Wire, Continuous Molded Strip

Documents:

[Drawing \(PDF\)](#) [Product Specification PS-19902-011 \(PDF\)](#)
[Product Specification PS-19902-008 \(PDF\)](#) [RoHS Certificate of Compliance \(PDF\)](#)

Agency Certification

CSA LR18689
 UL E79133

General

Product Family Quick Disconnects
 Series [19005](#)
 Crimp Quality Equipment Yes
 Product Name InsulKrimp™
 Type Quick Disconnect
 UPC 800753030534

Physical

Barrel Type Closed
 Color - Resin Natural
 Flammability 94V-2
 Gender Female
 Glow-Wire Compliant No
 Insulation Nylon (PA)
 Lock to Mating Part None
 Material - Metal Brass
 Material - Resin Nylon
 Net Weight 1.359/g
 Orientation Straight
 Packaging Type Reel
 Polarized to Mating Part No
 Tab Thickness 0.81mm
 Tab Width 6.35mm
 Temperature Range - Operating -65°C to +105°C
 Wire Insulation Diameter 4.19mm max.
 Wire Size AWG 14, 16
 Wire Size mm² 1.30 - 2.00

Electrical

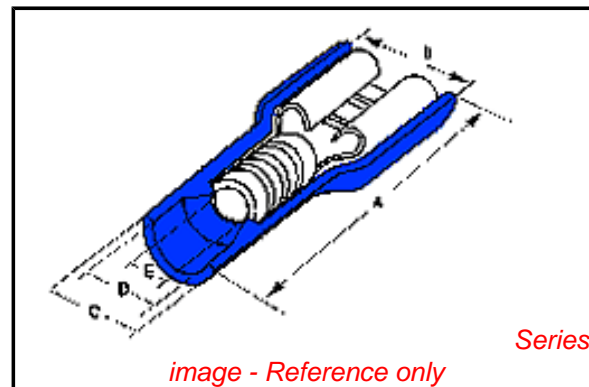
Voltage - Maximum 600V

Material Info

Old Part Number BB-2263C

Reference - Drawing Numbers

Product Specification PS-19902-008, PS-19902-011
 Sales Drawing SD-19005-001



EU RoHS

ELV and RoHS Compliant
REACH SVHC
 Not Reviewed
Low-Halogen Status
 Not Reviewed

China RoHS



Need more information on product environmental compliance?

Email productcompliance@molex.com
 For a multiple part number RoHS Certificate of Compliance, [click here](#)

Please visit the [Contact Us](#) section for any non-product compliance questions.

Search Parts in this Series

19005Series

Use With

190040005 , 190040008

Application Tooling | FAQ

Tooling specifications and manuals are found by selecting the products below. Crimp Height Specifications are then contained in the Application Tooling Specification document.

Global

Description	Product #
ACP Perishable	0190280024
Tool Kit used in ACP presses that process continuous molded product	
Mini-Mac™ Applicator	0638832600

PLEASE CHECK WWW.MOLEX.COM FOR LATEST PART INFORMATION