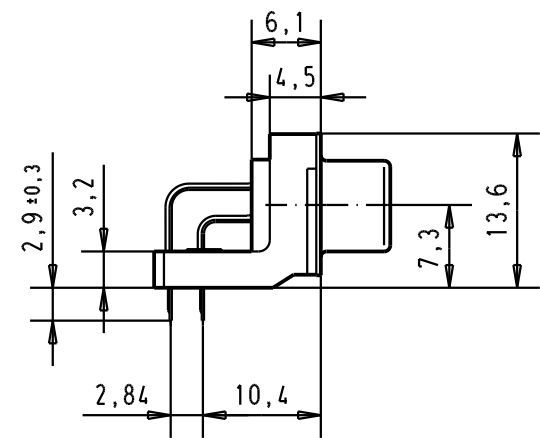
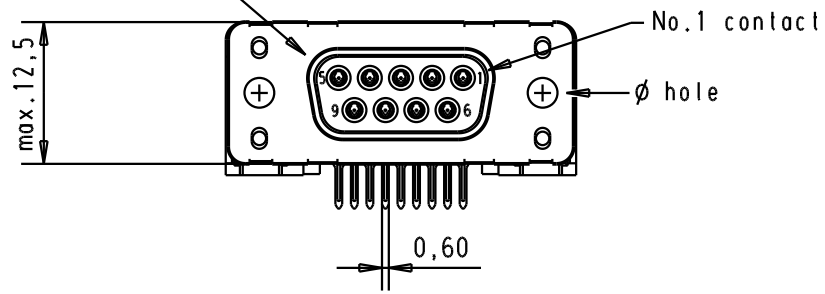
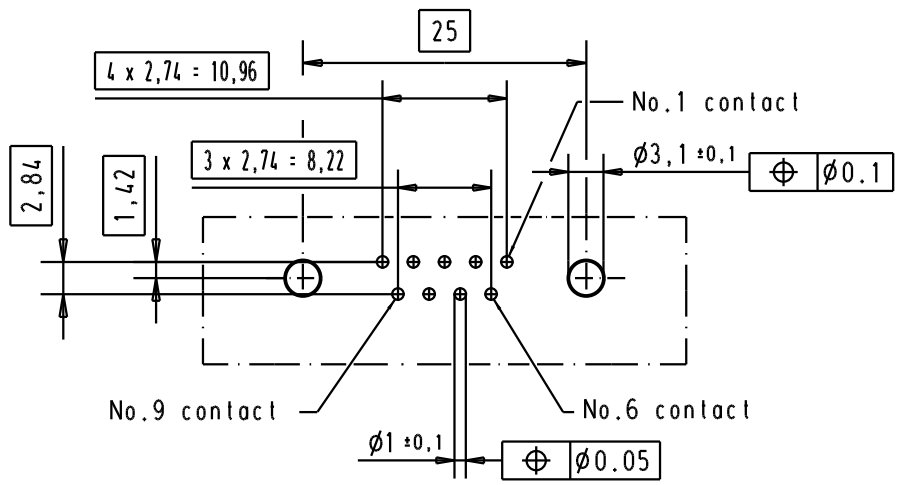
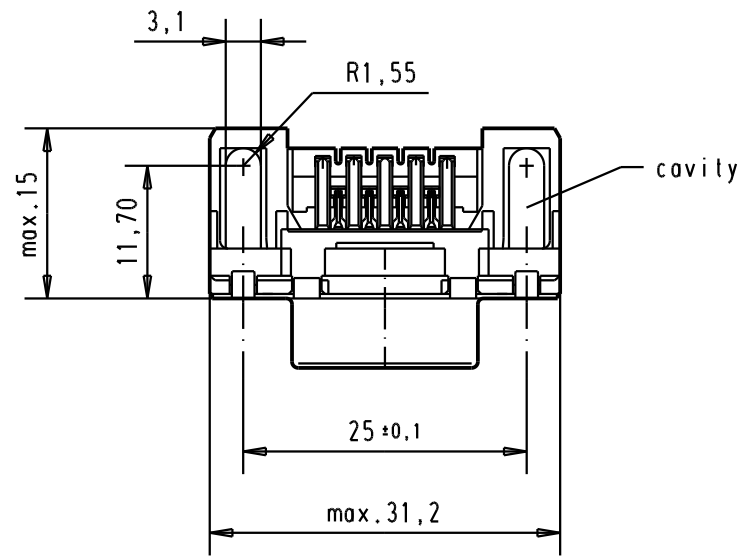




Mating face according to : MIL-C-24308 / DIN 41652 / CECC 75301-802



Printed board layout component side



						Det.	Name	 All Dim. in mm Orig. Size DIN A 4	D-Sub 09 poles standard angle female, solder pin with hole	Moßstab/ Scale
						Insp.				1.5:1
						Stand.				
09 66 113 3600	3.1 ± 0.1	1	31892	05/05/04	JH			TB 0966113x60x	Blatt/ Page 1 /	
09 66 113 6600	3.1 ± 0.1	2	29773	18-APR-02	CV	HARTING EUROL F-95972 Paris				
09 66 113 7600	3.1 ± 0.1	3	27960	30/nov/00	ALSPACE					
Part number	Ø hole	Performance level	Mod.	Dat.	Name			Sub.		