



PRODUCT DATASHEET

Lenina series

last update 31/10/2016

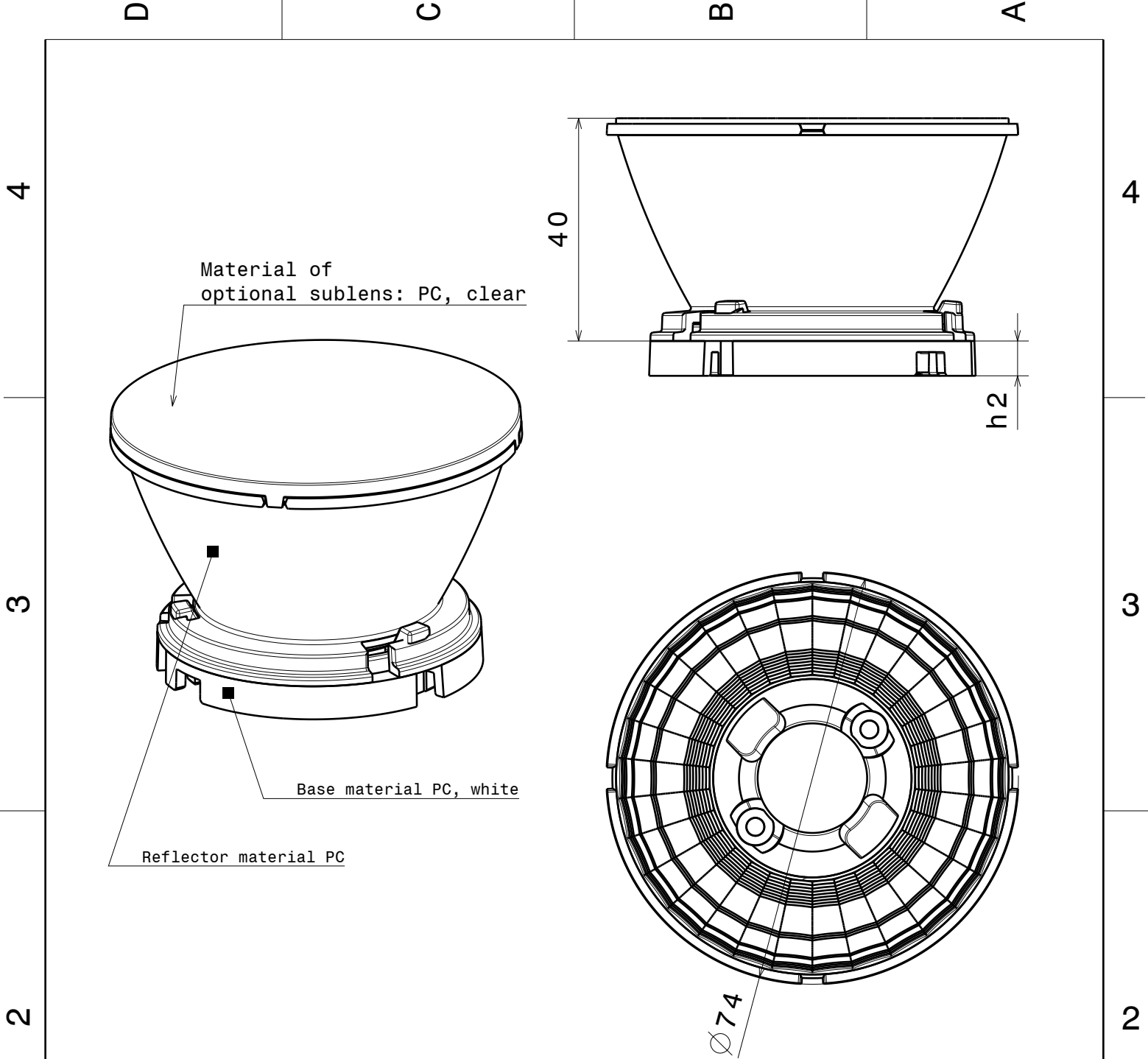
DETAILS

| | |
|------------------------|------------------|
| Product Number | CN12657_LENINA-M |
| Family | Lenina |
| Type | RefPack |
| Color | metal |
| Diameter | 74 mm |
| Height | 44,5 mm |
| Style | round |
| Optic Material | |
| Holder Material | |
| Fastening | screw |
| Status | production ready |
| ROHS Compliant | Yes |
| Date Updated | 31/10/2016 |



OPTICAL PROPERTIES

| LED | Viewing Angle | Light Beam | Efficiency | cd/lm | Connector |
|---------|---------------|------------|------------|-------|-----------|
| BXRA RS | 44 deg | Medium | 88 % | 1.373 | - |



NOTE:

Using optional sublens, add 2.1mm to the system height

Dimension 'h2' varies from 4.5mm to 7mm depending on the LED specific base part

This drawing is our property. It can't be reproduced or communicated without our written agreement.



Ledil Oy
Salorankatu 10
FIN-24240 SALO
Finland

DRAWING TITLE

Datasheet Lenina series

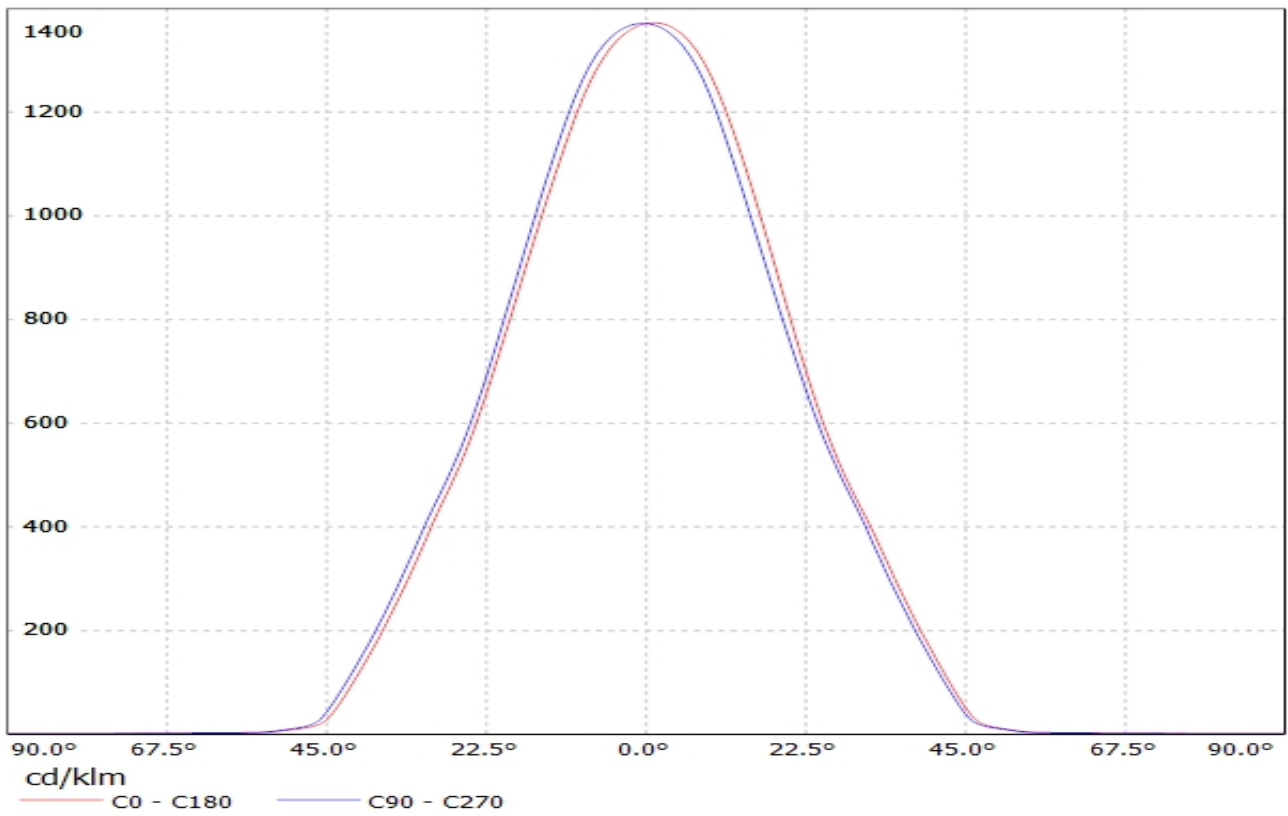
| | | | | | | | | | | | |
|--------------------------|--|---------------------------|--|---------------------|--|-------------------|--|-----------------------------|--|-----------------|--|
| DRAWN BY ks | | DATE 23.04.2014 | | SIZE A4 | | | | DRAWING NUMBER -- | | REV 1 | |
| CHECKED BY | | DATE | | SCALE 1:1 | | WEIGHT (g) | | SHEET 1/1 | | | |
| DESIGNED BY pl | | DATE 08.03.2012 | | | | | | | | | |

D

A

LEDIL OY CN12657_LENINA-M_(BRXA_RS) / LDC (Linear)

Luminaire: LEDIL OY CN12657_LENINA-M_(BRXA_RS)
Lamps: 1 x Bridgelux RS (591.4lm)



NOTE: The typical divergence will be changed by different color, chip size and chip position tolerance. The typical total divergence is the full angle measured where the luminous intensity is half of the peak value.