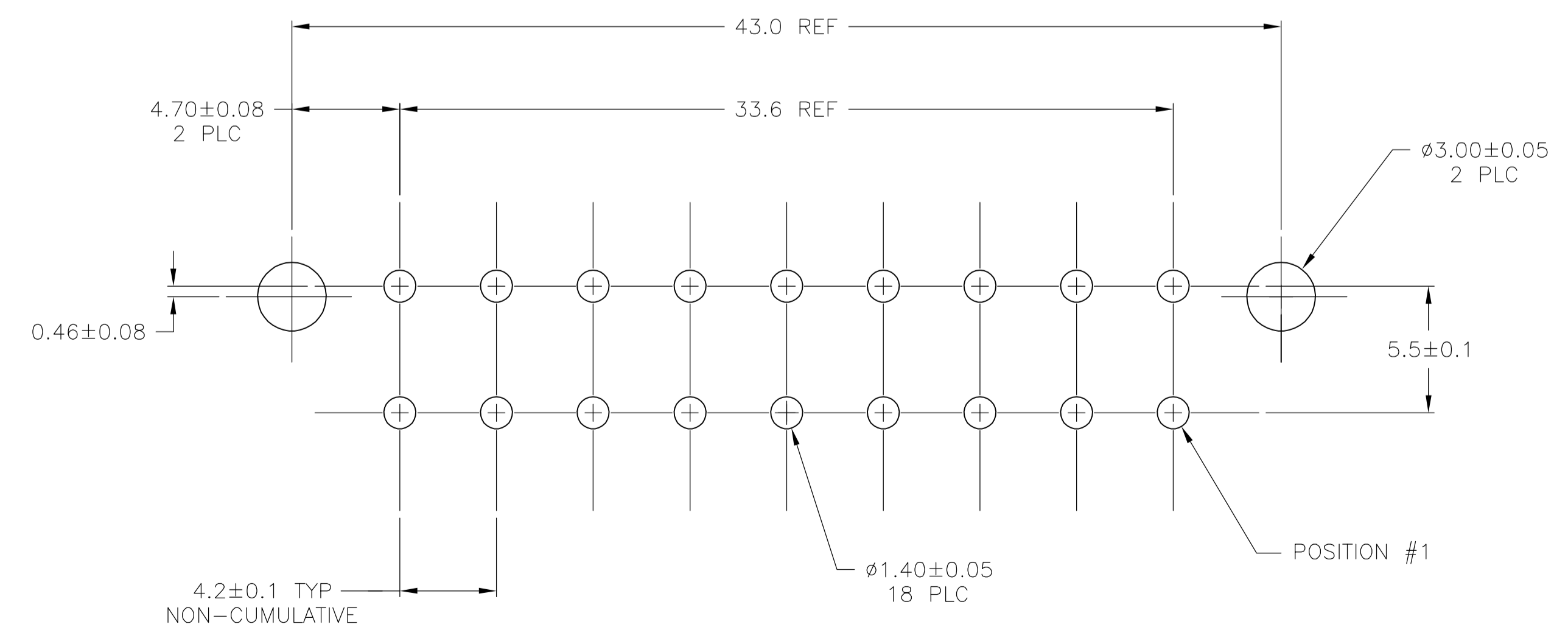
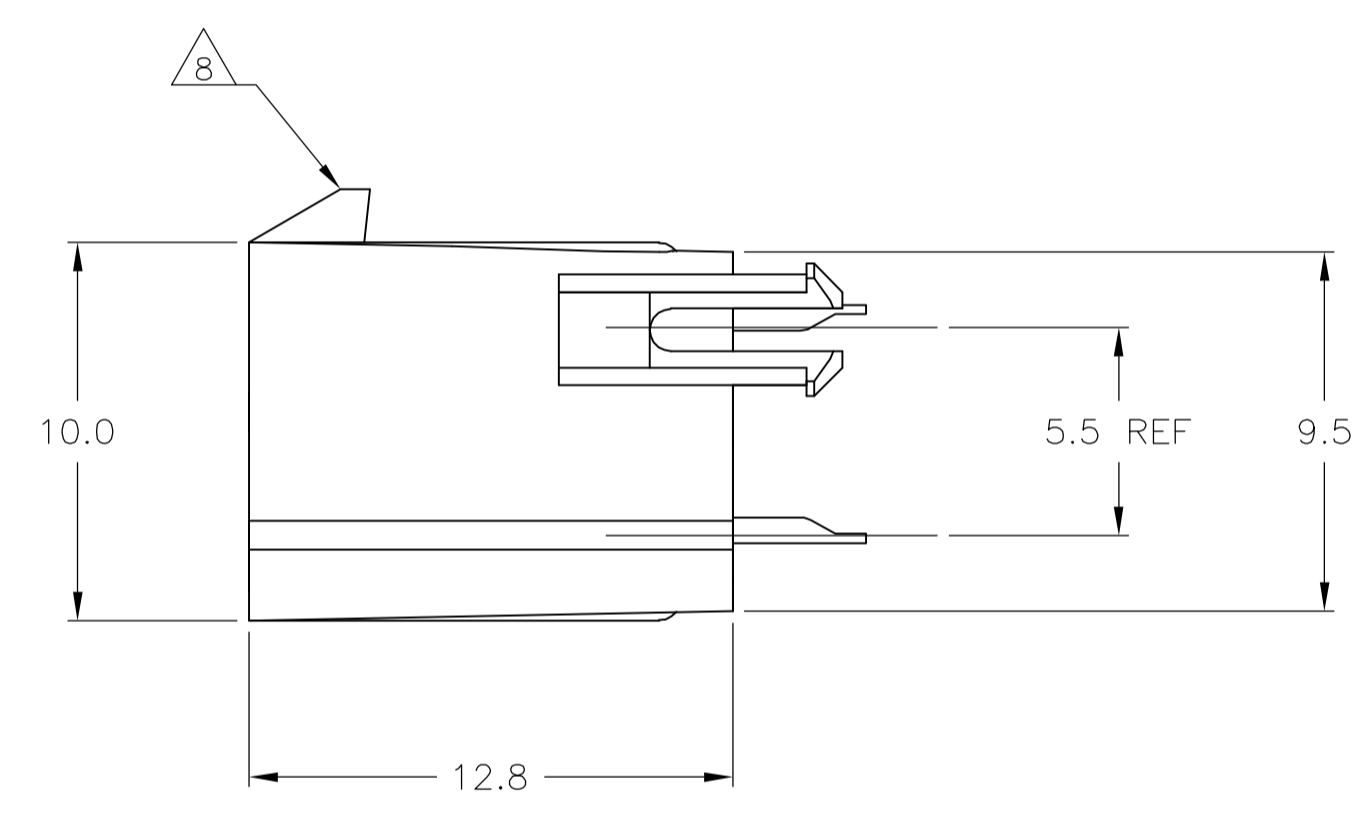
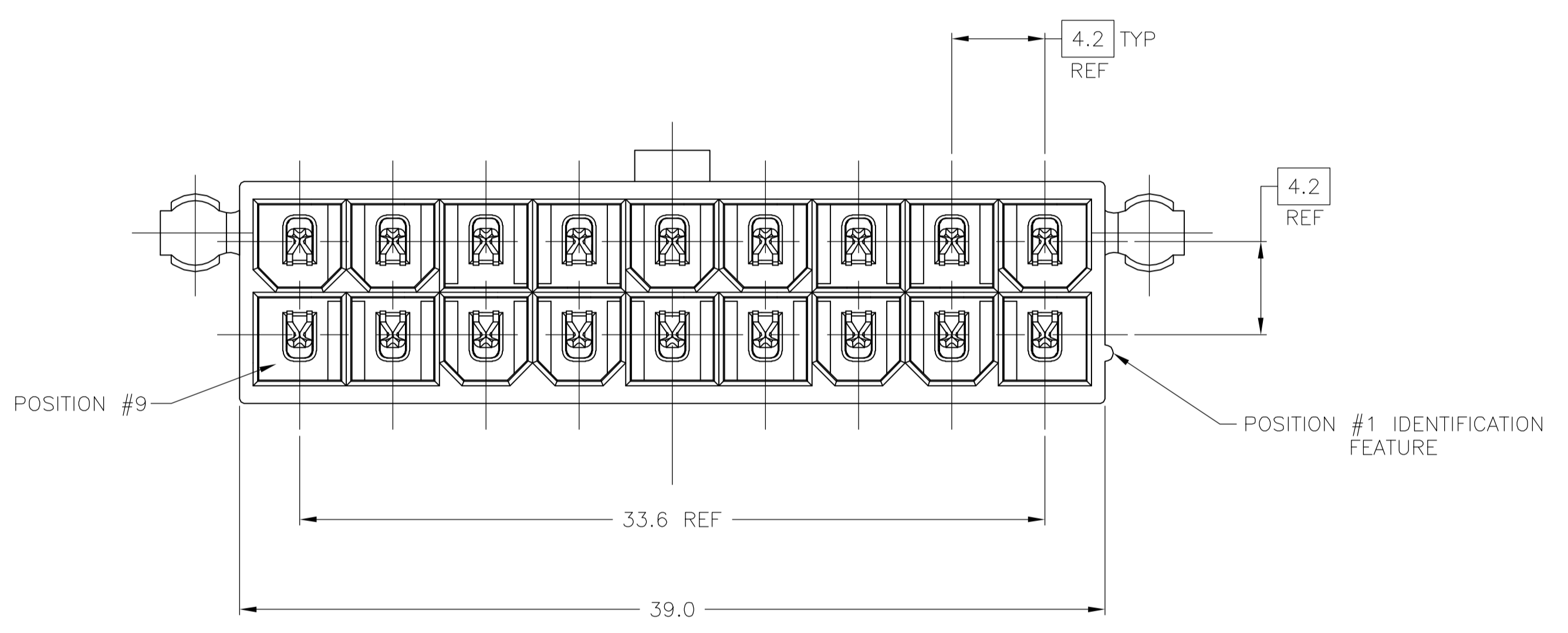


- 1 MATERIAL:
HOUSING: NYLON, UL94V-0 (COLOR - NATURAL, COLOR OF PARTS MAY VARY).
CONTACTS: 0.25 THK COPPER ALLOY.
- 2 CONTACT FINISH: 0.003 MIN THK TIN-LEAD OVER 0.00127 MIN THK NICKEL OVER ENTIRE CONTACT.
- 3 CONTACT FINISH: 0.00076 MIN THK GOLD PLATE ON PIN MATING SURFACE, 0.003 MIN THK TIN-LEAD PLATE ON SOLDER TAIL, ALL OVER 0.00127 MIN THK NICKEL BASE PLATE.
- 4. SOLDER TAIL MEETS AMP SOLDERABILITY SPECIFICATION 109-11-2.
- 5. MATES WITH SIMILARLY PLATED AMP-DUAC™ POWER CONNECTOR RECEPTACLE HOUSINGS/SOCKET CONTACTS.
- 6 RIBS ON FOUR CORNERS OPTIONAL.
- 7 AMP LOGO AND MATERIAL ID MAY BE LOCATED ON EITHER LONG SIDE OF PART.
- 8 SIZE, SHAPE OR STYLE OF THIS FEATURE MAY VARY.
- 9 CONTACT FINISH: 0.003 MIN THK TIN OVER 0.00127 MIN THK NICKEL OVER ENTIRE CONTACT.
- 10 CONTACT FINISH: 0.00076 MIN THK GOLD PLATE ON PIN MATING SURFACE, 0.003 MIN THK TIN PLATE ON SOLDER TAIL, ALL OVER 0.00127 MIN THK NICKEL BASE PLATE.



RECOMMENDED MOUNTING HOLE PATTERN FOR 1.78 MAX THICK P.C. BOARD COMPONENT SIDE SHOWN

SUPERCEDED BY 1-794454-2
SUPERCEDED BY 1-794454-1

1	10	1	1	1-794454-2
1	9	1	1	1-794454-1
1	3	1	1	794454-2
1	2	1	1	794454-1
MATERIAL	FINISH	MATERIAL	COLOR	PART NO.
CONTACT		HOUSING		
THIS DRAWING IS A CONTROLLED DOCUMENT.		DIN R VESTAL 27MAY98 CHK R SWING 27MAY98 APVD C CASH 27MAY98 NAME Tyco Electronics Corporation Harrisburg, Pa 17105-3608		
DIMENSIONS: mm		PRODUCT SPEC 108-1699 APPLICATION SPEC		
TOLERANCES UNLESS OTHERWISE SPECIFIED: 0 PLC ± - 1 PLC ± 0.2 2 PLC ± 0.13 3 PLC ± - 4 PLC ± - ANGLES ± 0.30°		ASSEMBLY, HEADER, VERTICAL, 18 POSITION, W/PEGS, W/DRAIN HOLES, 94V-0,AMP-DUAC		
MATERIAL SEE TABLE		FINISH SEE TABLE		SIZE A1 CASE CODE 00779 DRAWING NO. C=794454 RESTRICTED TO
CUSTOMER DRAWING		SCALE 5:1 SHEET 1 OF 1 REV F		