

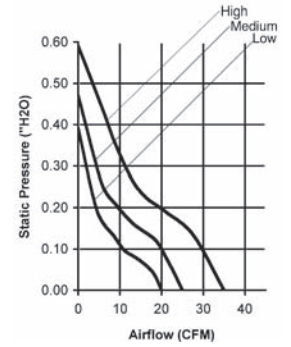
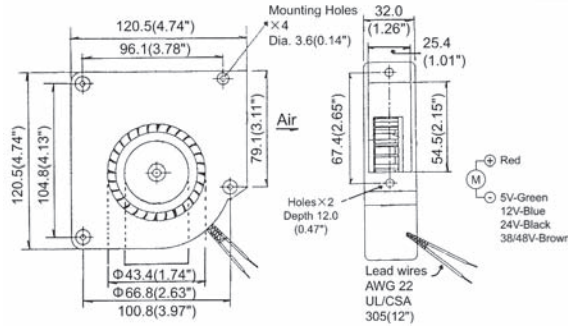
# DC BLOWERS



12, 24, 48V  
120x32mm (4.7" x 1.25")



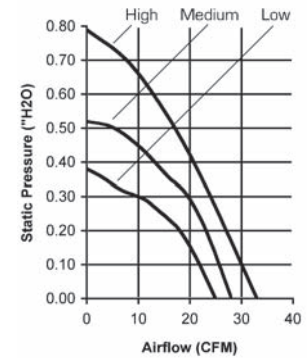
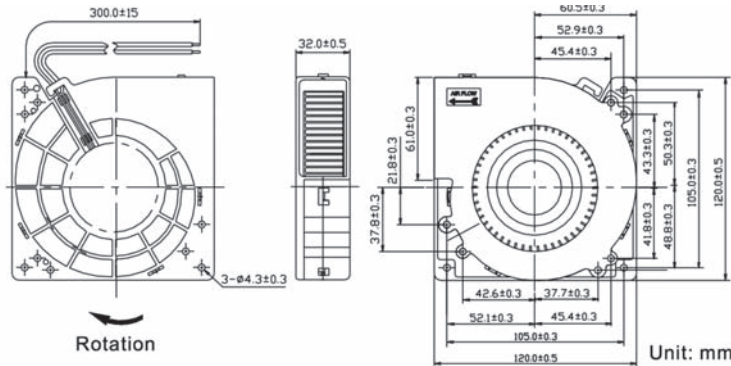
ODB600PT



MODEL NUMBER	SPEED (RPM)	AIRFLOW (CFM)	NOISE (DB)	VOLTS DC	VOLTAGE RANGE	AMPS	MAX. STATIC PRESSURE ("H <sub>2</sub> O)
ODB600PT-12HB	3000	35	49	12	8~14	0.60	0.59
ODB600PT-12MB	2500	25	42	12	8~14	0.47	0.47
ODB600PT-12LB	1800	20	30	12	8~14	0.20	0.39
ODB600PT-24HB	3000	35	49	24	10~29	0.37	0.59
ODB600PT-24MB	2500	25	42	24	10~29	0.30	0.47
ODB600PT-24LB	1800	20	30	24	10~29	0.20	0.39



ODB1232



Model Number	Speed (RPM)	Airflow (CFM)	Noise (dB)	Volts DC	Voltage Range	Amps	Max. Static Pressure ("H <sub>2</sub> O)
ODB1232-12HB	2600	33	55	12	6~14	0.79	0.92
ODB1232-12MB	2300	28	49	12	6~14	0.53	0.83
ODB1232-12LB	2100	25	48	12	6~14	0.41	0.66
ODB1232-24HB	2600	33	55	24	12~28	0.43	0.92
ODB1232-24MB	2300	28	49	24	12~28	0.36	0.83
ODB1232-24LB	2100	25	48	24	12~28	0.25	0.66
ODB1232-48HB	2600	33	55	48	24~55	0.22	0.92
ODB1232-48MB	2300	28	49	48	24~55	0.18	0.83
ODB1232-48LB	2100	25	48	48	24~55	0.16	0.66

**FRAME & IMPELLER**  
PBT, UL94V-0 Thermoplastic  
**POWER CONNECTION**  
Two lead wires 300mm (12")  
**LIFE EXPECTANCY (L10)**  
Ball Bearing 60,000 hrs  
Sleeve Bearing 30,000 hrs

**MOTOR**  
Brushless DC, polarity protected, locked rotor protected (current limited), auto restart  
**INSULATION RESISTANCE**  
Min. 10M at 500VDC  
**DIELECTRIC STRENGTH**  
1 minute at 500VAC / 1 second, max leakage 500 microamp

**OPERATING TEMPERATURE**  
Ball Bearing -20C ~ +80C  
Sleeve Bearing -10C ~ +50C