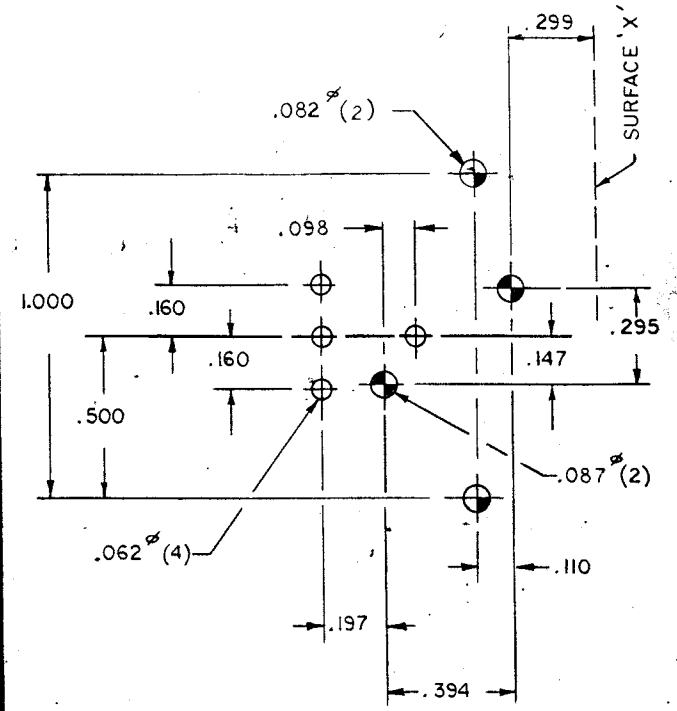
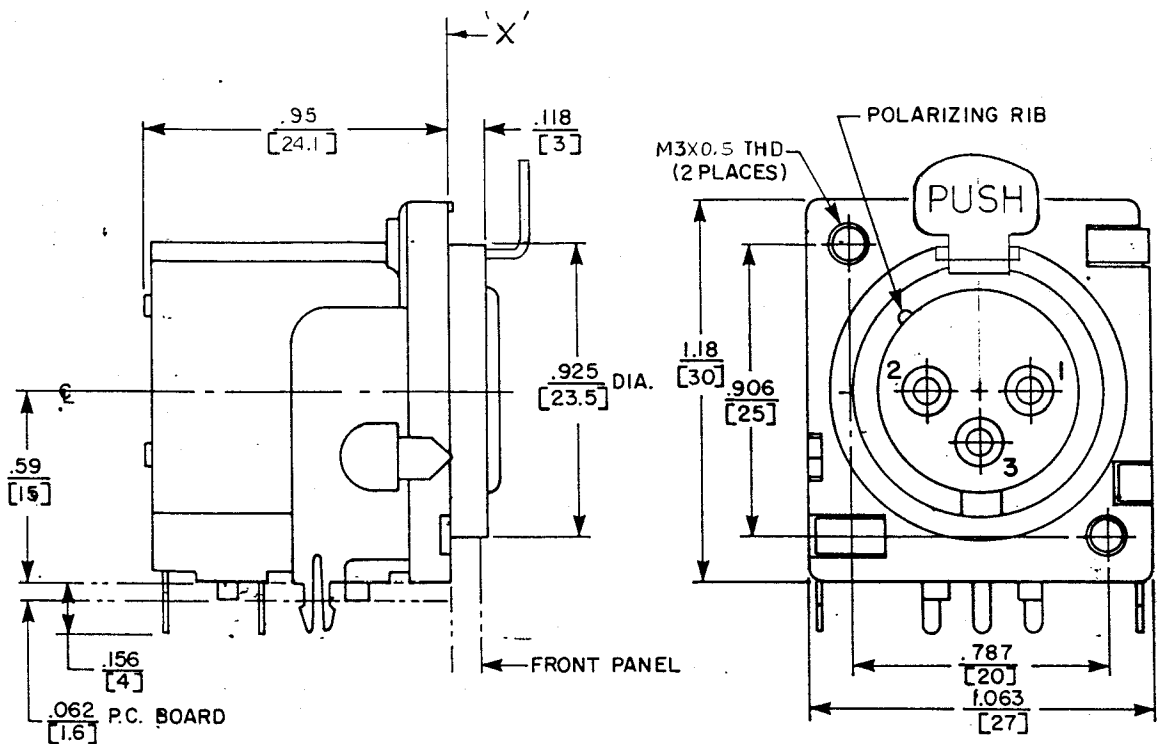


REV	DATE	BY	DESCRIPTION
D	4C	D	M3X0.5 THD ECO 15834



COMPONENT SIDE.

CUSTOMER DWG.

☆ STAR SYMBOL DENOTES CRITICAL DIMENSION
SEE S/C ENGINEERING STANDARD ES-001

SIZE MULT TEMPER	THIS DRAWING DESCRIBES A DESIGN CONSIDERED PROPRIETARY IN NATURE, DEVELOPED AND MANUFACTURED BY SWITCHCRAFT, INC., AND IS RELEASED ON A CONFIDENTIAL BASIS FOR IDENTIFICATION PURPOSE ONLY.			
	UNLESS OTHERWISE SPECIFIED:		DRAWN BY	DATE
	1. DECIMAL DIMENSIONS ± .005		KL	1-29-90
	2. FRACTIONAL DIMENSIONS ± 1/64		CHECKED BY	DATE
	3. ANGLES ± 1/2°		[Signature]	1-30-90
4. ALL DIA'S CONCENTRIC WITHIN .002 T.I.R		APPROVED BY	DATE	
5. ALL DIMENSIONS IN INCHES		[Signature]	1-30-90	
6. FOR THREADS USE UNIFIED PLUG AND RING GAGES ONLY		SCALE	~	
7. REMOVE ALL BURRS		FIRST USED ON		
8. PART TO BE FABRICATED AS SPECIFIED MAKE NO DIMENSIONAL ALLOWANCES FOR APPLIED FINISHES, I.E. PLATING, PAINTING, ETC.		NAME		
9. HOLES ON SAME CENTERLINE MUST BE ALIGNED WITHIN ± .002		PQG RECEPTACLE, FEMALE, R.A.		
		PART NO.		
		PQG 3FRA		
		SHEET OF		
		D		
		DO NOT SCALE DRAWING		

Switchcraft
A Raytheon Company

ROUTING ○○○○○○○○○○○○○○○○