

5

4

3

2

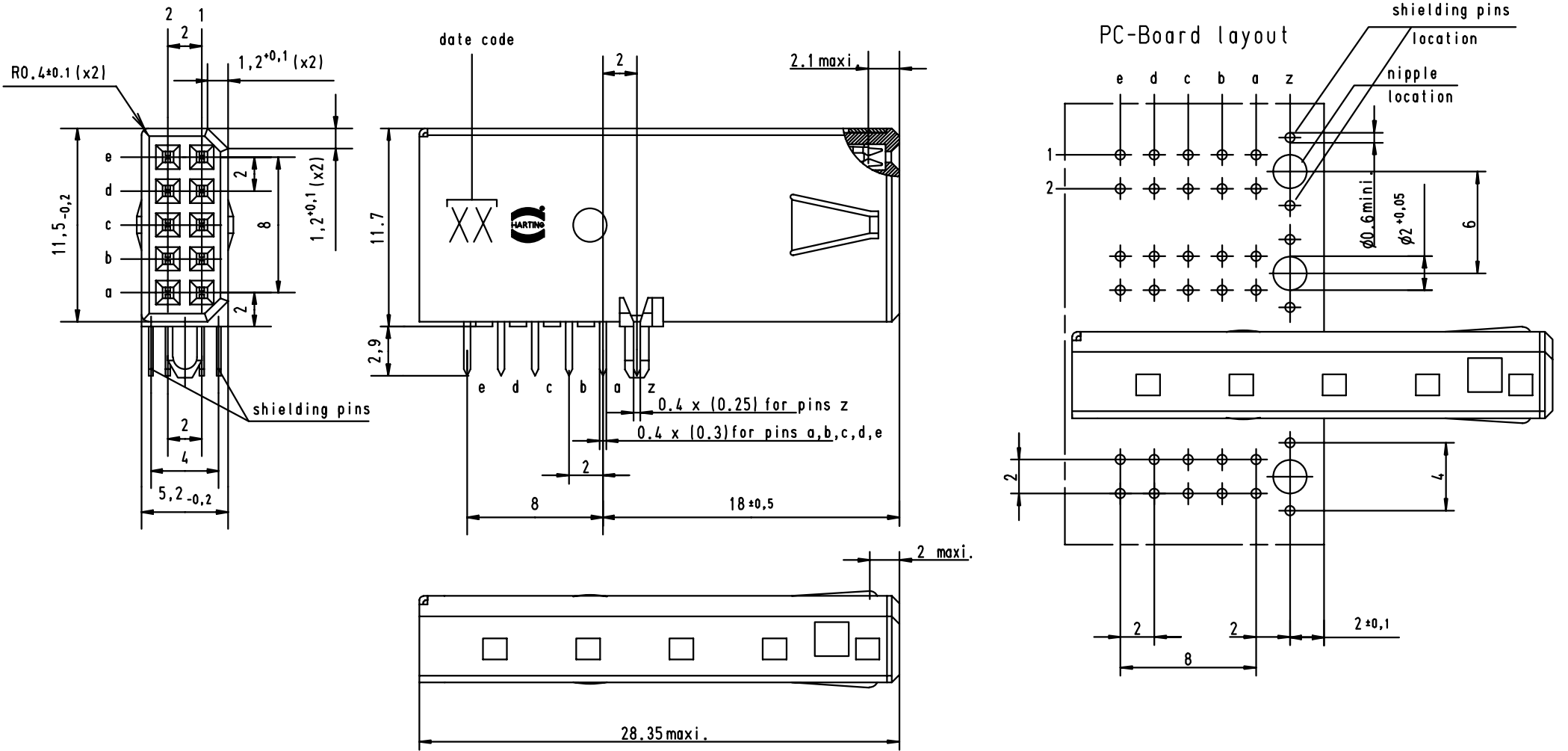
1

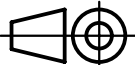

D

C

B

A



				Dot.	Name	 All Dim. in mm Orig. Size DIN A 4	har-link® DS-link Female connector with solder pins 2,9 mm	Maßstab/ Scale 3:1
			Detail.	03-FEB-93	JB			
29685	21-JUN-01	JB	Insp.					
17981	09-SEP-97	JB	Stand.					
21204	31-JAN-97	JB						
16214	04-APR-95	JB						
Mod.	Dot.	Name	HARTING EURL F-95972 Paris				TB 27 21 121 8000 Sub..	Blatt/ Page 1 / 1