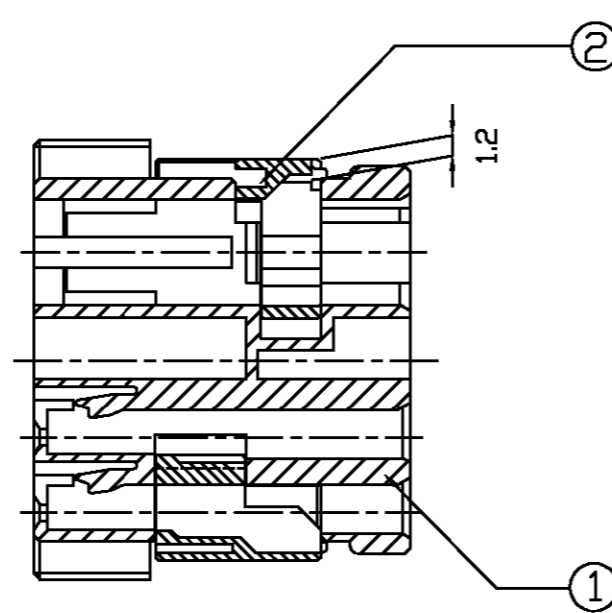
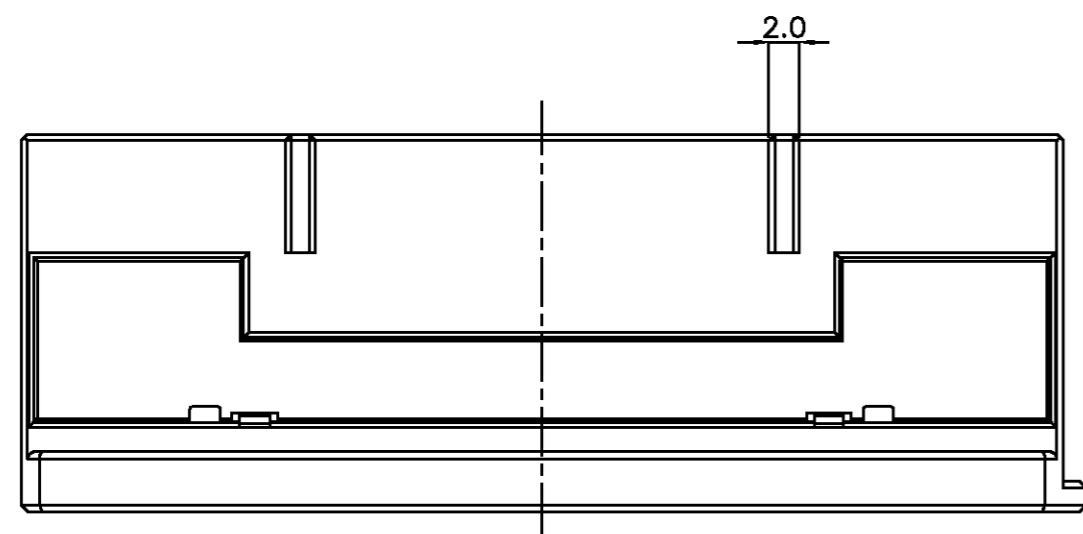
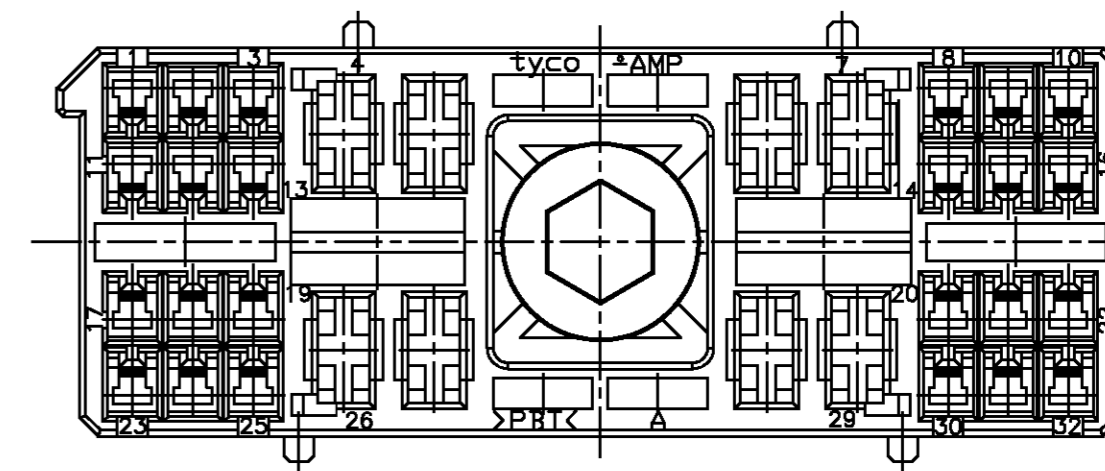
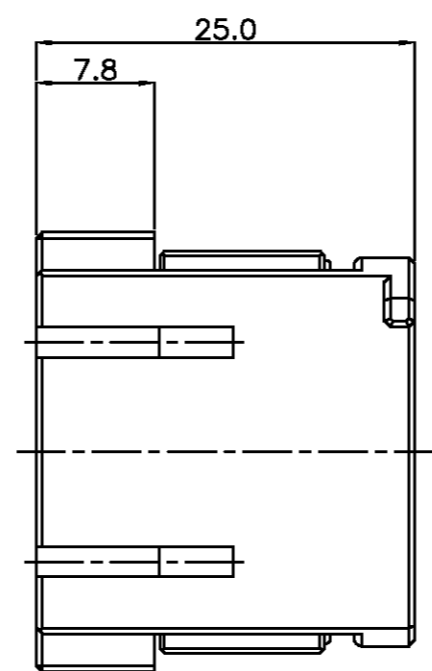
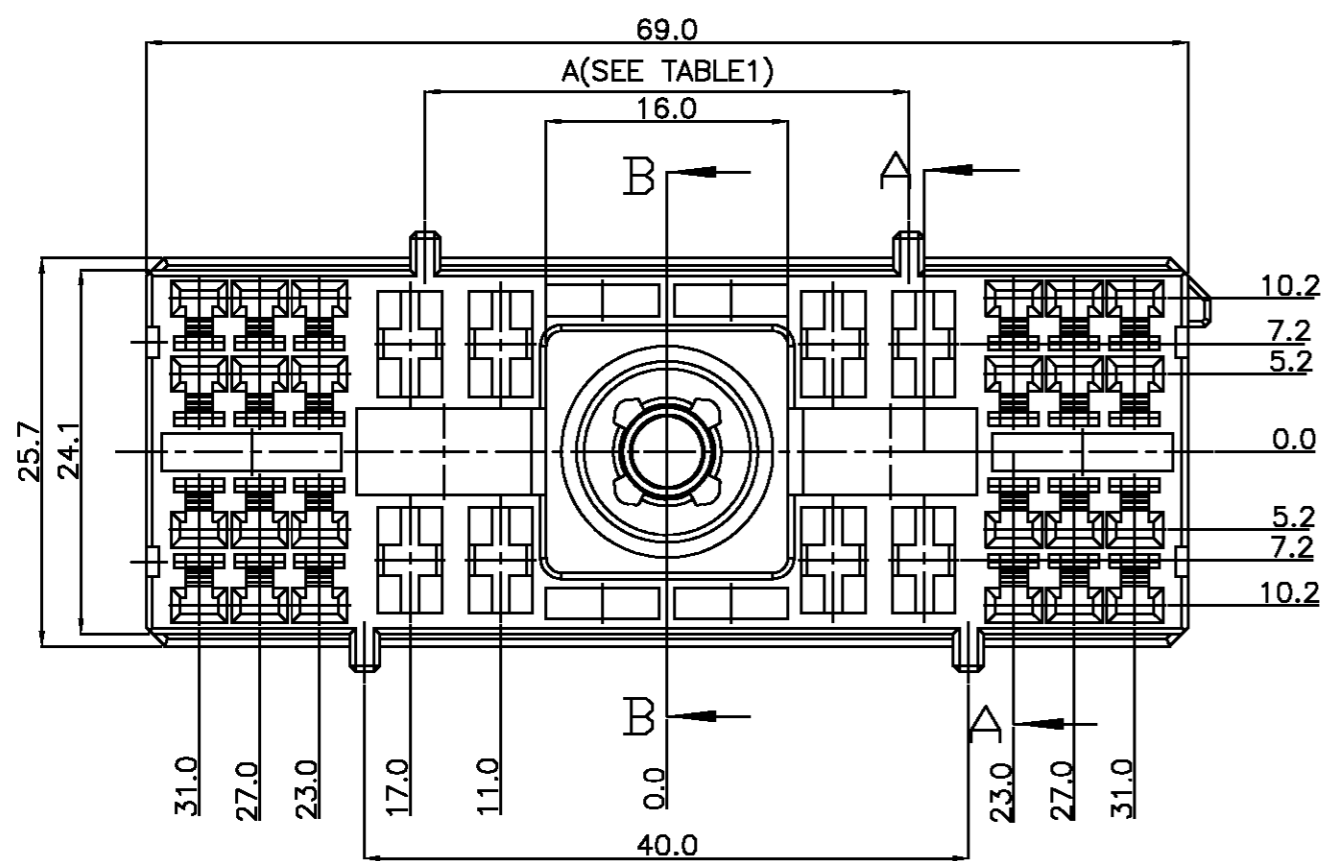
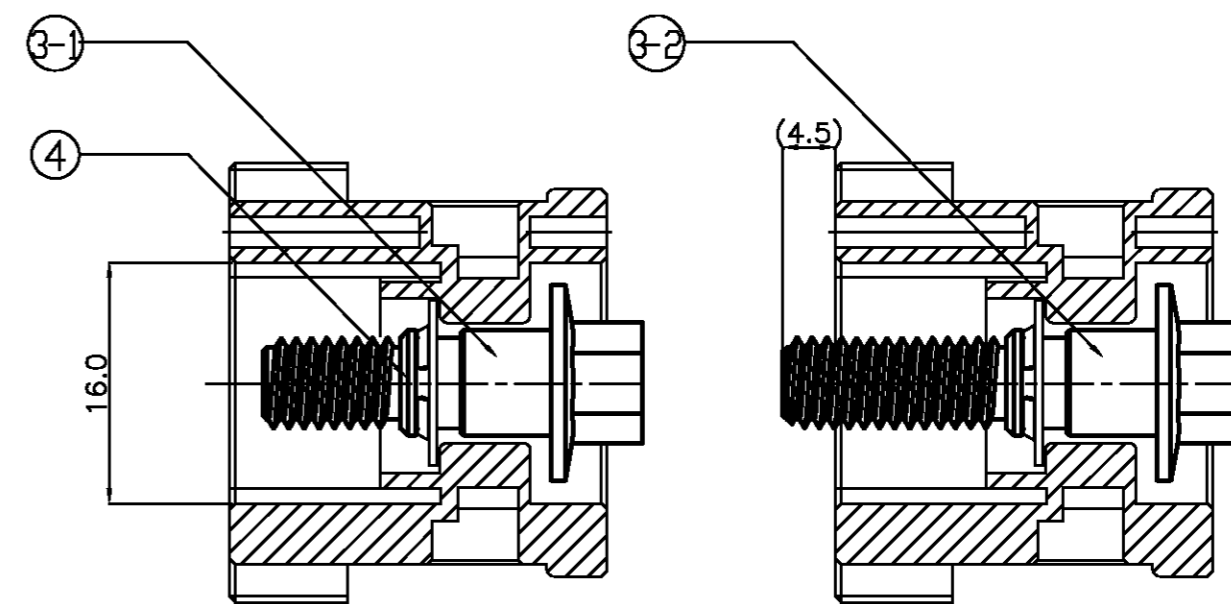


THIS DRAWING IS UNPUBLISHED. RELEASED FOR PUBLICATION BY AMP INCORPORATED. ALL RIGHTS RESERVED.

LOC		DIST		REVISIONS			
P	LTR	DESCRIPTION	DATE	DWN	APVD		
		RELEASED<FC00-0109-03>	05AUG'03	KT	CS		
A		REVISED PER ECR-06-019988	12.OCT.06	YG	JK		



SECTION A-A



SECTION B-B

COLOR	REMARK
YELLOW	
BROWN	
GRAY	
BLACK	
WHITE	

TABLE1

4-936322-X	14.0
3-936322-X	20.0
2-936322-X	26.0
1-936322-X	32.0
0-936322-X	38.0
Y- P/N -Z	A

NOTES.

- APPLIED CONTACT P/N ;  
090 II - 368083, 368084, 368085  
S.P.T - 927839, 927827, 927833, 927824  
090 III - 1743654, 1743655, 1743656
- BOLT TORQUE: 0.6~0.8Kg.m

NO	P/N	DESCRIPTION	MATERIAL	COLOR	Q'TY
4	368987-1	STOPPER RING	SK-5	-	1
3-2	0-936826-2	BOLT<7mm>-LONG	SWCH10A	-	1
3-1	0-936826-1	BOLT<7mm>	SWCH10A	-	1
2	936323-1	DBL HSG	PBT	YELLOW	2
1	SEE TABLE1	32P PLUG HSG	PBT	SEE TABLE1	1

ORGANIZATION SHOULD BE CONTACTED FOR THE LATEST REVISION.		DWN YG PARK	<b>tyco</b> AMP KOREA. kyungsan, korea	
DIMENSIONS: MM		CHK HS KIM	NAME	
TOLERANCES UNLESS OTHERWISE SPECIFIED: 0 <XX<10 ± 0.2 10<XX<30 ± 0.25 30<XX ± 0.3 ANGLES ± 3°		APVD JK SDNG	090/SPT HYB 32P PLUG ASS'Y	
3rd ANGLE PROJECTION		PRODUCT SPEC	SIZE A2	CAGE CODE 00779
MATERIAL SEE TABLE		APPLICATION SPEC	DRAWING NO C= 936321	SCALE 2:1
FINISH SEE TABLE		WEIGHT	SHEET 1 OF 1	REV A
CUSTOMER DRAWING				

ASS'Y P/N	DESCRIPTION
7-936321-3	090/SPT HYB 32P PLUG ASS'Y(A=26mm/GRAY)
Y-936321-Z	090/SPT HYB 32P PLUG ASS'Y