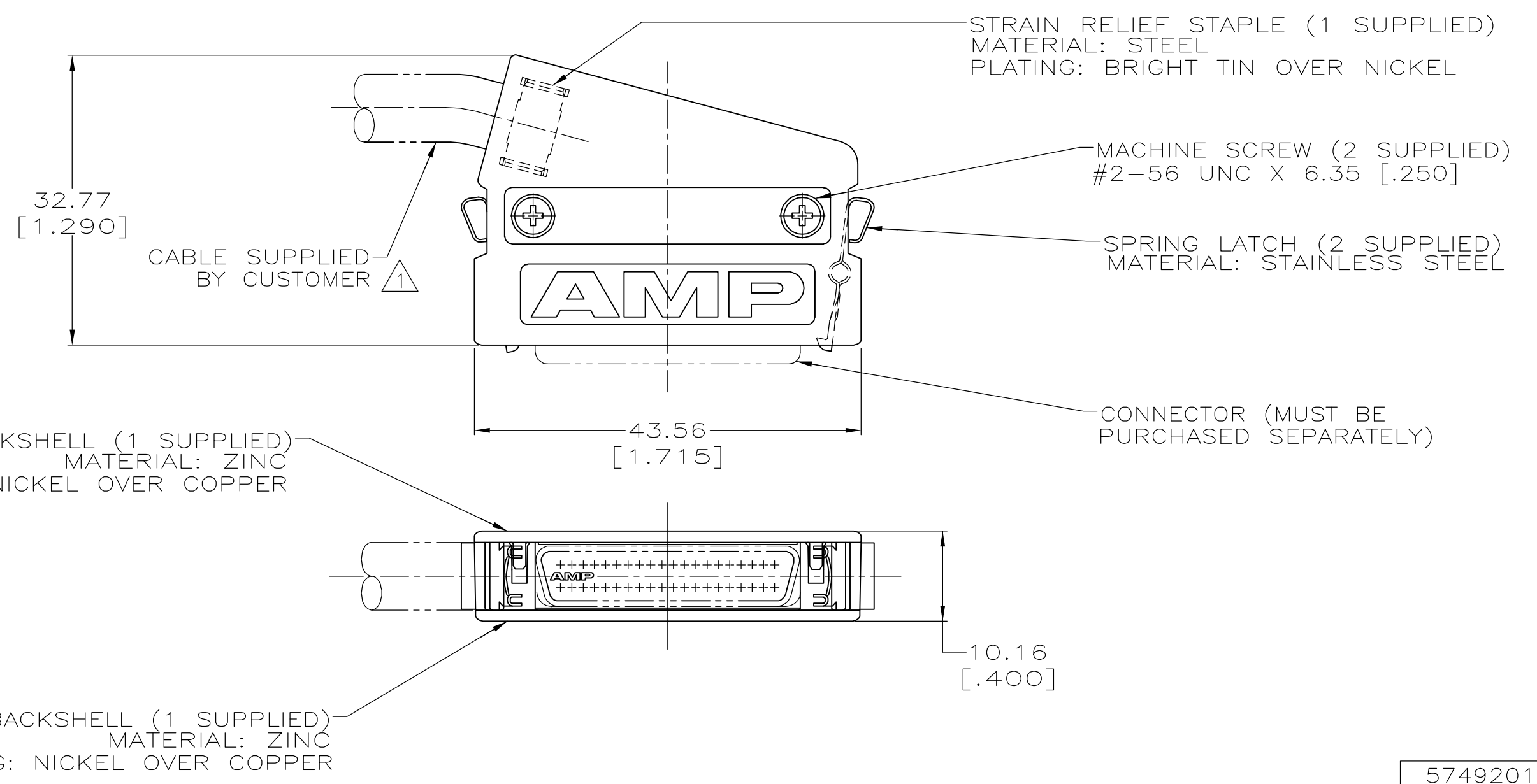


LOC	DIST	REVISIONS					
GP	00	P	LTR	DESCRIPTION	DATE	DWN	APVD
		0		RELEASED PER EC 0S13-0287-05	14FEB06	JG	SS



$\triangle 1$ 8.13 [.320] MAX CABLE DIA

5749201-1
 PART NUMBER

THIS DRAWING IS A CONTROLLED DOCUMENT.		DWN	J.GERACE	14FEB06	 Tyco Electronics Corporation Harrisburg, PA 17105-3608
DIMENSIONS: mm[INCHES]		CHK	S.SHUEY	14FEB06	
		APVD	M.WALMSLEY	14FEB06	
TOLERANCES UNLESS OTHERWISE SPECIFIED:		NAME		INDIVIDUAL KIT, UNASSEMBLED, 40 POS, 75 DEGREE EXIT, UNKEYED, AMPLIMITE .050 SERIES	
0 PLC ± -		PRODUCT SPEC		-	
1 PLC ± -		APPLICATION SPEC		-	
2 PLC ± -		SIZE	A3	CAGE CODE	00779
3 PLC ± 0.38 [.015]		DRAWING NO	C=5749201		RESTRICTED TO
4 PLC ± -		WEIGHT	-		-
ANGLES ± -		CUSTOMER DRAWING		SCALE	2:1
MATERIAL	-	FINISH		-	
		SHEET		1 OF 1	
		REV		0	