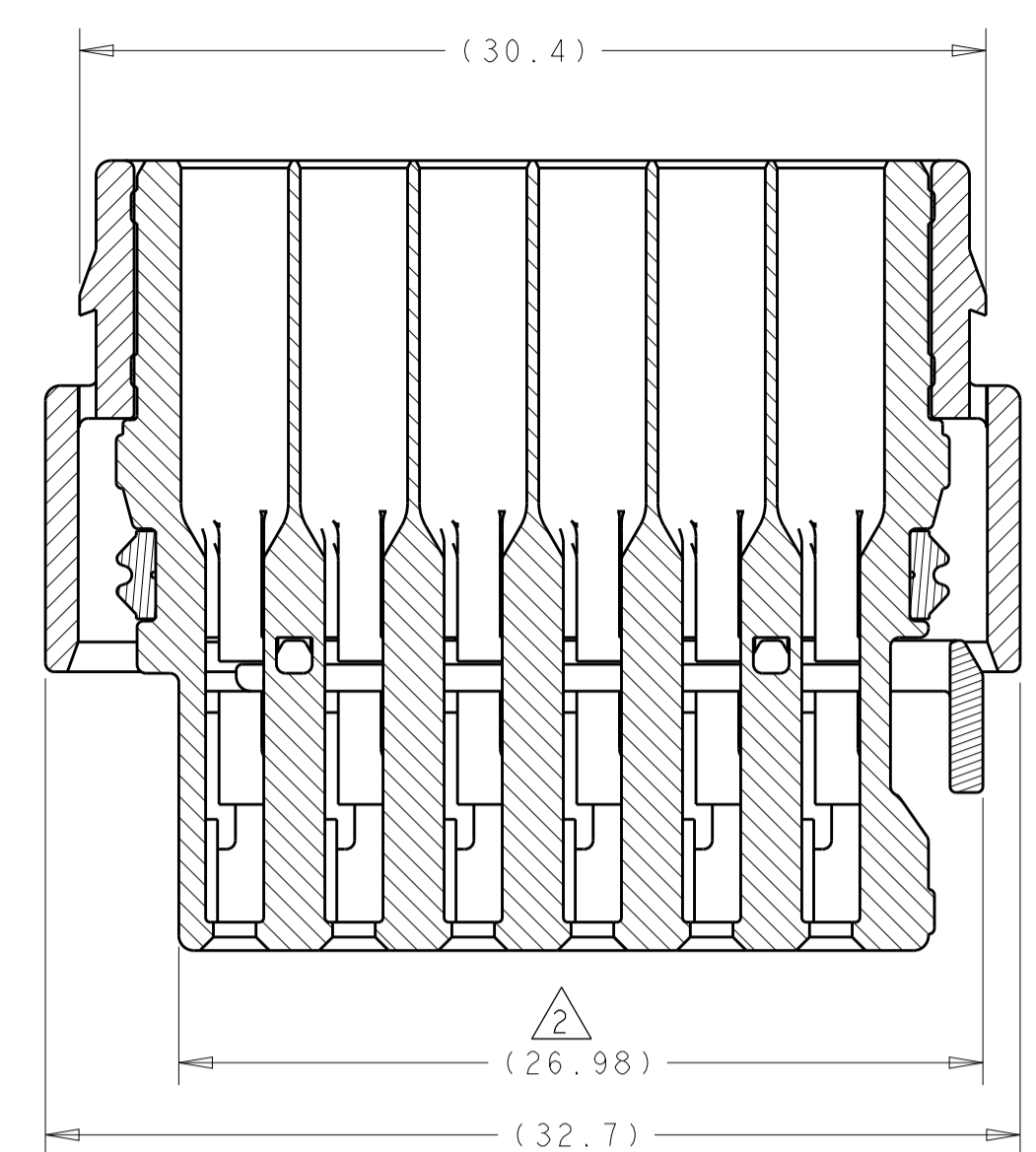
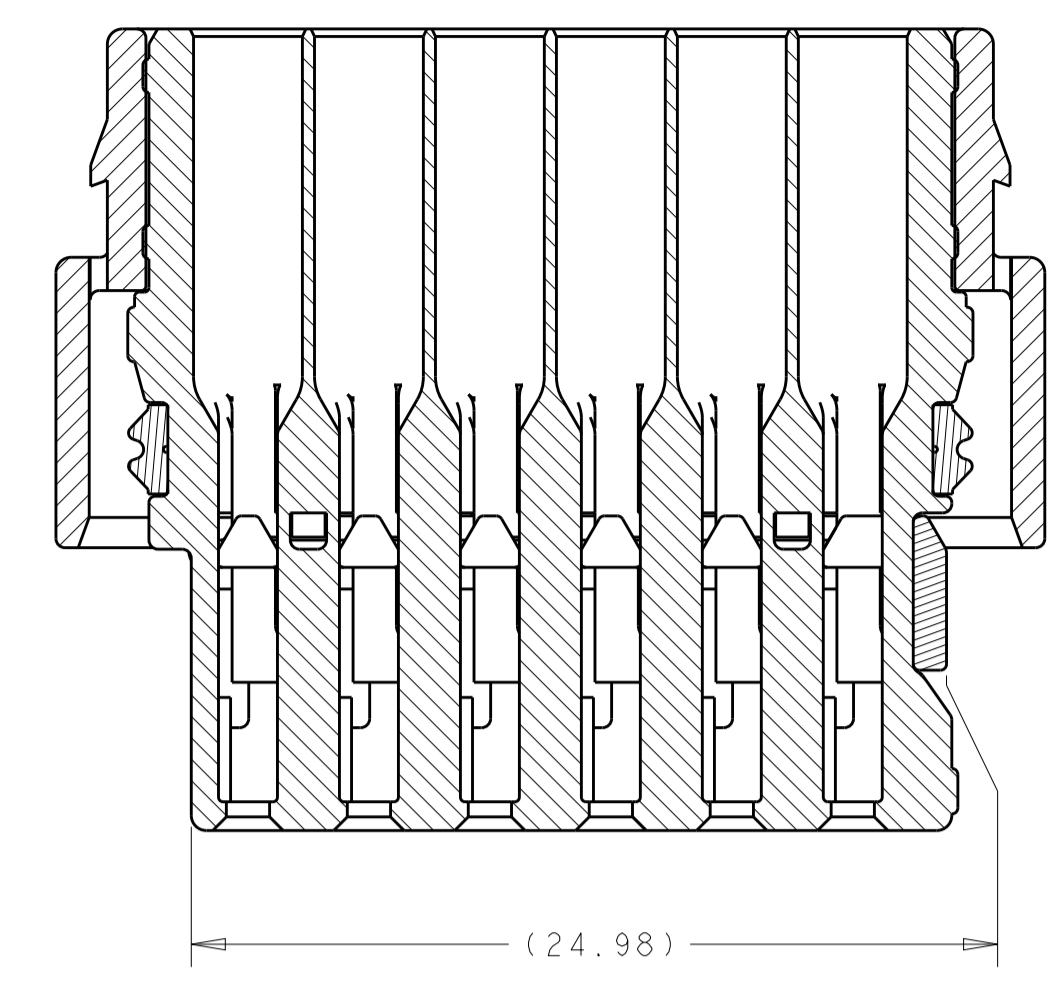


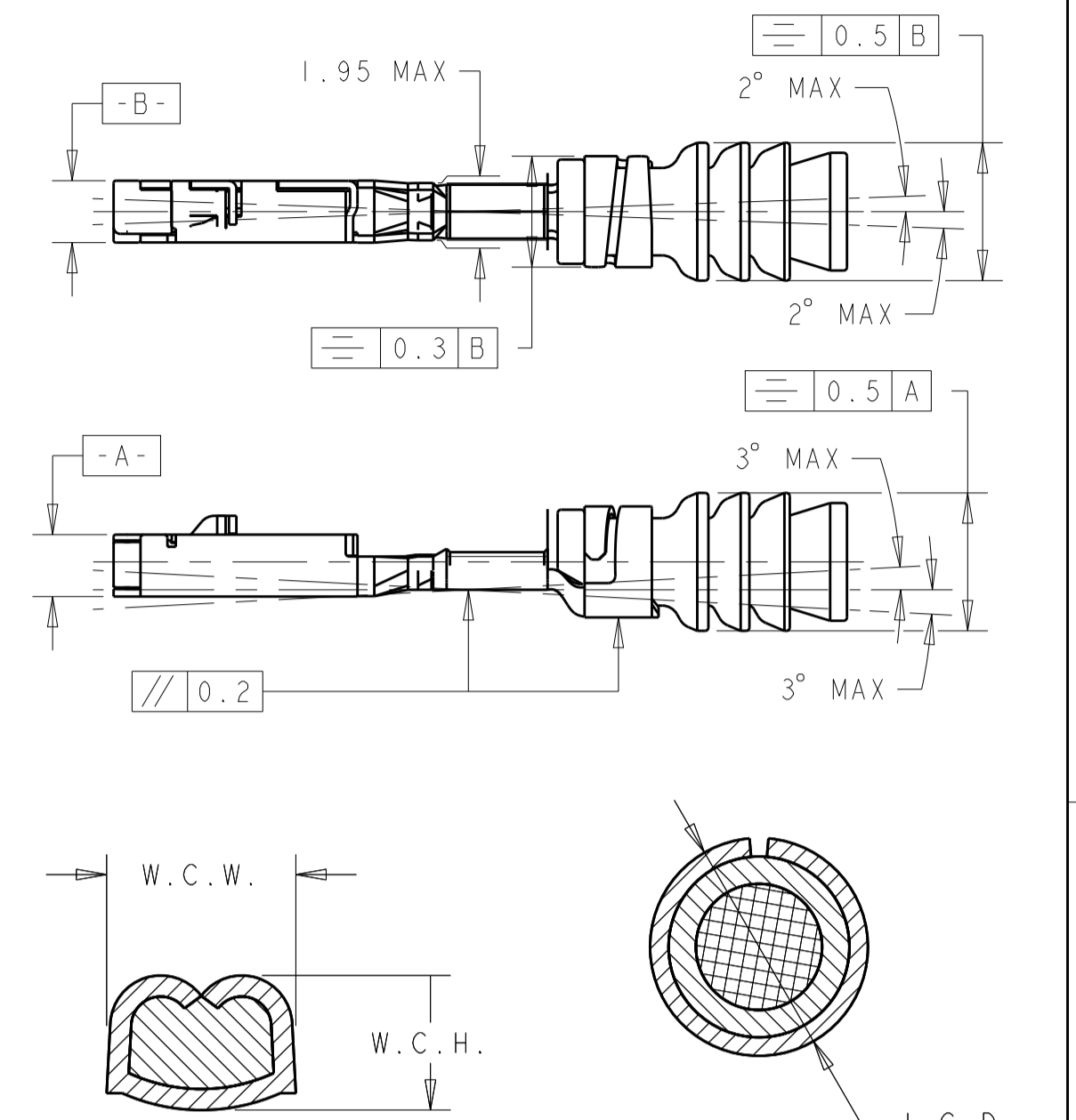
SECTION B-B
SHOWN WITH CPA (WHEN APPLICABLE)
IN IT'S LATCHED POSITION
FOR REFERENCE ONLY



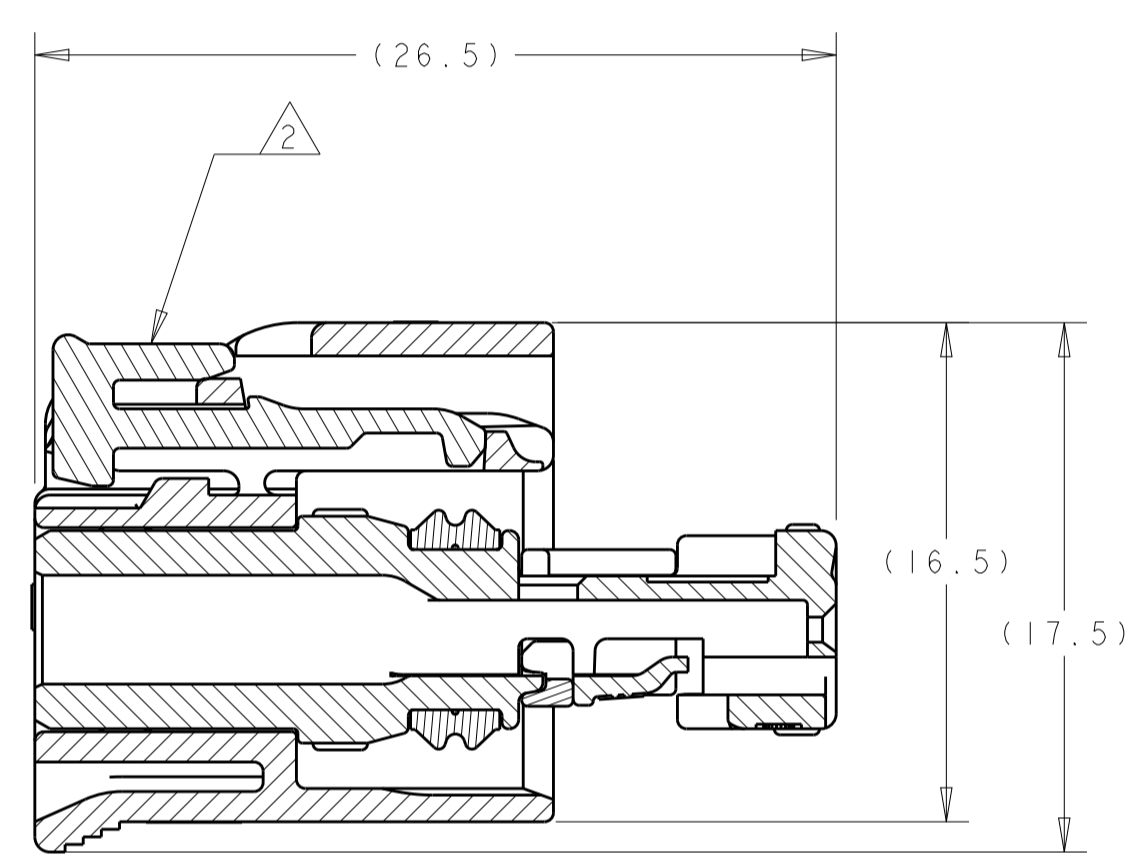
SECTION A-A
SHOWN WITH TPA
IN IT'S LATCHED POSITION
FOR REFERENCE ONLY



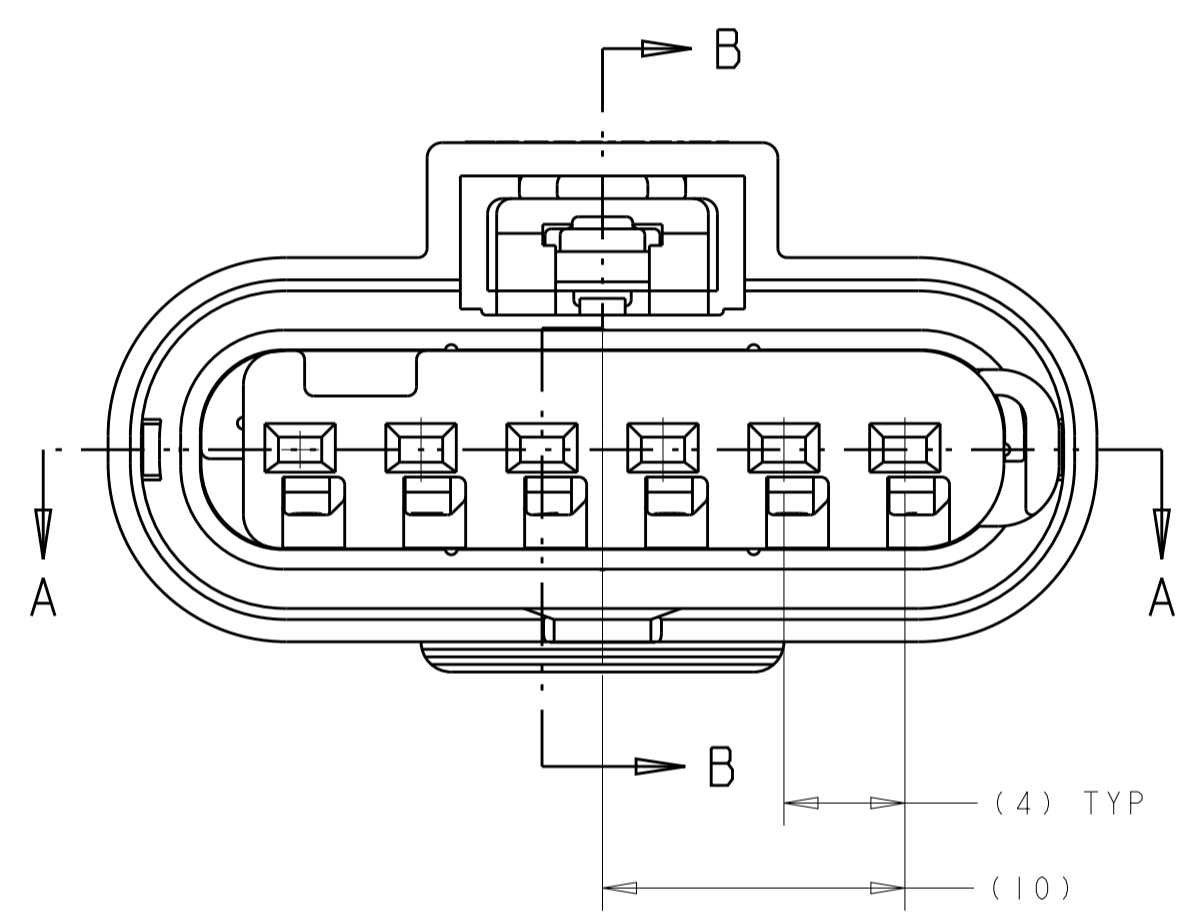
SECTION A-A
SHOWN WITH TPA
IN IT'S LATCHED POSITION
FOR REFERENCE ONLY



WIRE CRIMP DIMENSIONS INSULATION CRIMP DIMENSIONS

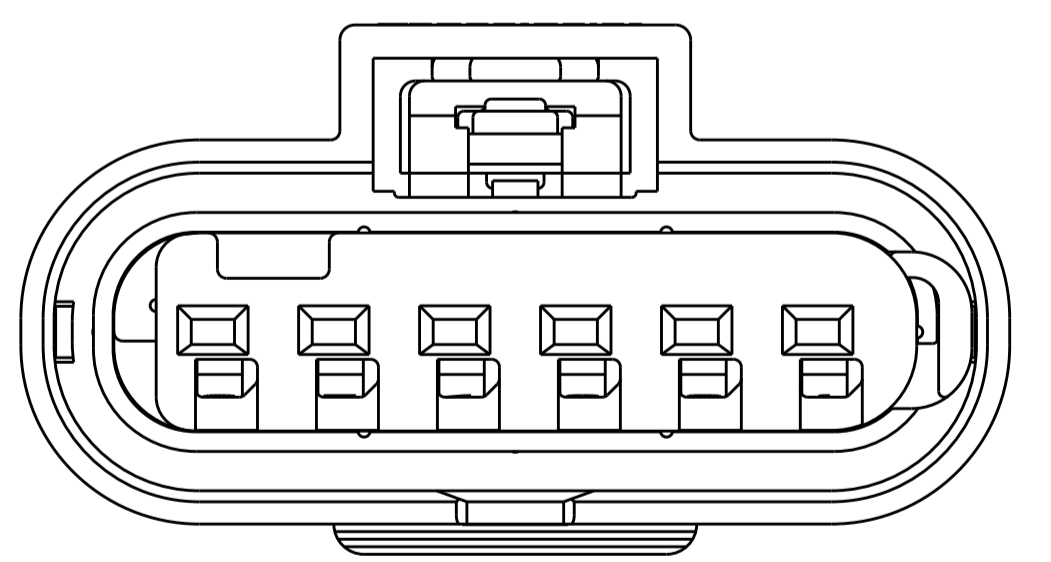


SECTION B-B

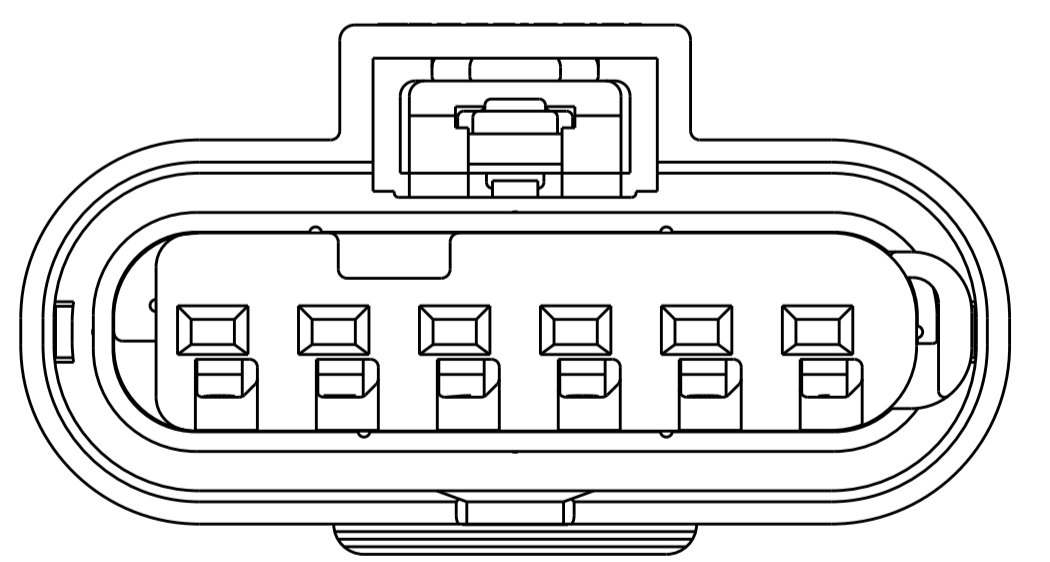


TE MCON 1.2-CB (CLEAN BODY)								
1670146-3	SILVER	3.6 ±0.3	20	1.4 TO 1.9	0.84 ±0.03	1.57 ±0.05	3.25 ±0.05	967067-1
1670146-2	GOLD							
1670146-1	TIN							
1418850-3	SILVER	3.6 ±0.3	18	1.9 TO 2.4	1.11 ±0.05	1.78 ±0.05	3.35 ±0.05	964972-1
1418850-2	GOLD							
1418850-1	TIN							
PART NUMBER	PLATING	WIRE STRIP LENGTH	AWG	INSL. RANGE	W.C.H.	W.C.W.	I.C.D.	WIRE SEAL PART NUMBER

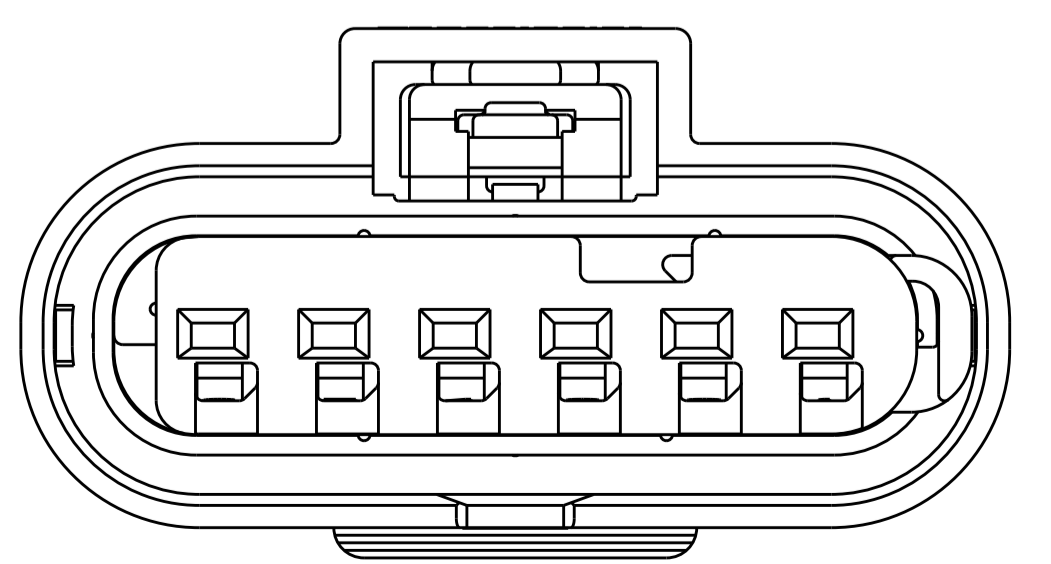
KEYING CONFIGURATIONS



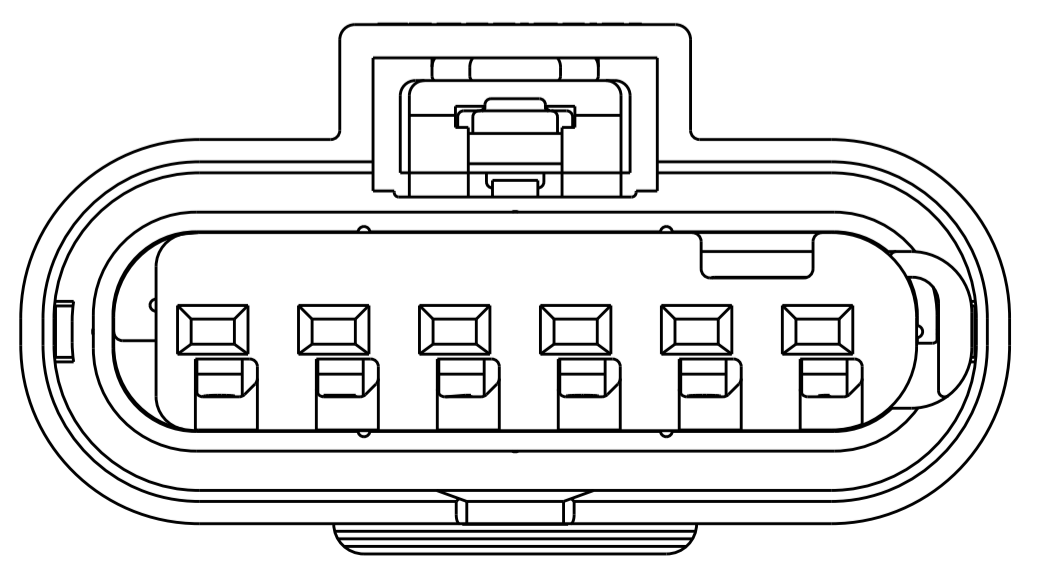
KEYING OPTION A



KEYING OPTION B

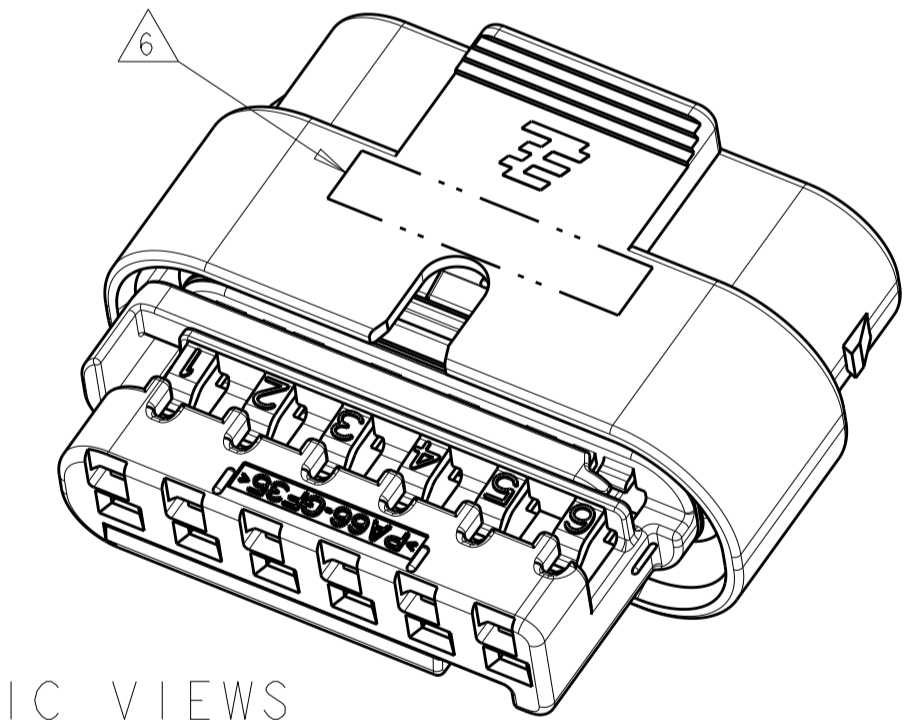
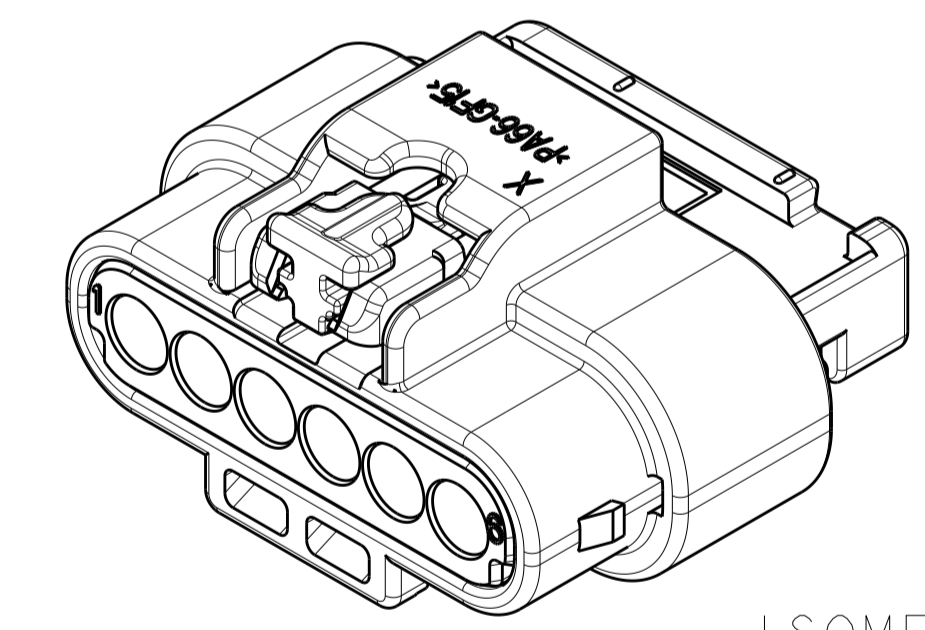


KEYING OPTION C



KEYING OPTION D

- PART NUMBER 1924292-5 SHOWN ON DRAWING.
- TPA AND CPA (WHEN APPLICABLE) ARE SHIPPED IN THEIR PRE-LATCHED POSITIONS. SEE INSTRUCTION SHEET 408-8968 FOR DIRECTIONS ON MOVING THE CPA AND TPA TO THE PRE-LATCHED POSITION, IF NECESSARY.
- TERMINALS SOLD SEPARATELY. FOR USE WITH TE MCON 1.2mm CLEAN BODY CONTACT WITH WIRE SEAL. SEE TE MCON 1.2-CB (CLEAN BODY) TABLE FOR APPLICABLE PART NUMBERS.
- APPLICABLE HEADER INTERFACE DRAWING 114-18679-3 IS AVAILABLE UPON REQUEST. A COPY OF THIS DRAWING CAN BE OBTAINED FROM THE TYCO ELECTRONICS PRODUCT MANAGER, VIA YOUR TYCO ELECTRONICS SALES REPRESENTATIVE OR CUSTOMER SERVICE.
- MINIMUM FEED THROUGH CONDITION WITH 1.0mm CLEARANCE ALL AROUND.
- TRACEABILITY CODE (YY = TWO DIGIT YEAR, JJJ = 3 DIGIT JULIAN DAY, S = 1 DIGIT SHIFT) AND TYCO ELECTRONICS ASSEMBLY PART NUMBER PRINTED IN THIS LOCATION AT ASSEMBLY.
- FOR OPTIONAL TERMINAL CAVITY BLOCKING, USE TE BLIND PLUG PART NUMBER: 967056-1.
- VALIDATED UP TO USCAR TEMPERATURE CLASS III.
- TPA ENGAGE FORCE: PRESET TO FULL >= 3 N AND <= 60 N.
- TPA DISENGAGE FORCE: DISENGAGE FROM FULL TO PRESET >= 6 N AND <= 60 N.
- CPA ENGAGE FORCE: PRESET TO FULL WITHOUT CONNECTORS MATED >= 40 N.
- CPA ENGAGE FORCE: PRESET TO FULL WITH CONNECTORS MATED < 30 N.
- POLARIZATION FEATURE EFFECTIVENESS: CONNECTOR MATED TURNED 180° NO MATING > 150 N. WRONG KEYING NO MATING > 150 N.
- SEE INSTRUCTION SHEET 408-8928
- TERMINAL 1670146-X REPLACES 1418847-X
- REFERENCE ISOMETRIC VIEWS ON SHEET 2.



ISOMETRIC VIEWS
SCALE 3:1

RELEASED	2138907-1	GRAY	D	4-1924292-4
RELEASED	2138907-1	BLUE	C	4-1924292-3
RELEASED	2138907-1	NATURAL	B	4-1924292-2
RELEASED	1488787-1	GRAY	D	1924292-8
		BLUE	C	1924292-7
		NATURAL	B	1924292-6
		BLACK	A	1924292-5
RELEASED	N/A	GRAY	D	1924292-4
		BLUE	C	1924292-3
		NATURAL	B	1924292-2
		BLACK	A	1924292-1
STATUS	CPA	INNER HOUSING	PART NUMBER	

THIS DRAWING IS A CONTROLLED DOCUMENT. DIMENSIONS: mm. TOLERANCES UNLESS OTHERWISE SPECIFIED: 0 PLC ±.1, 1 PLC ±0.3, 2 PLC ±0.10, 3 PLC ±.1, 4 PLC ±.1, ANGLES ±.1.

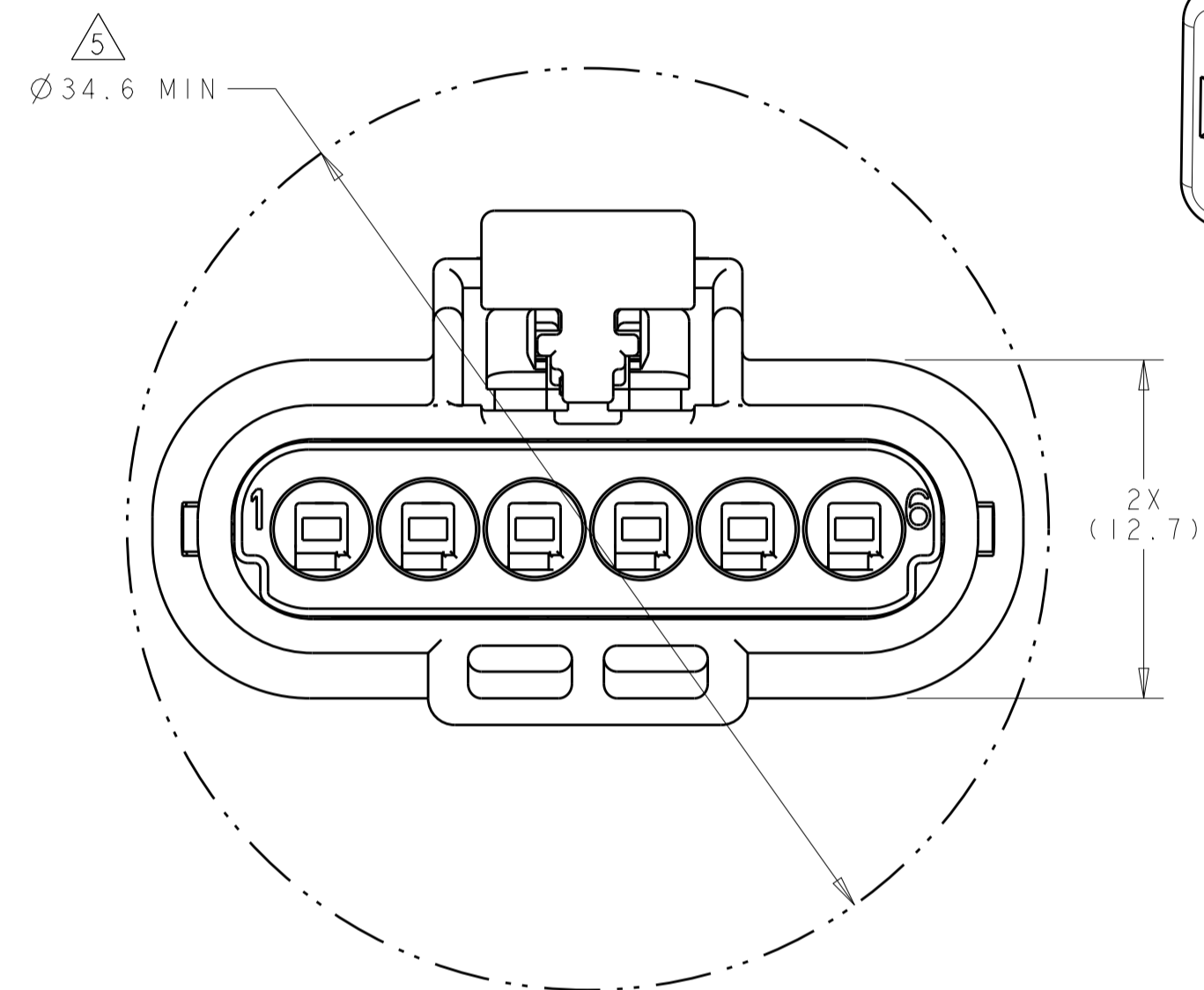
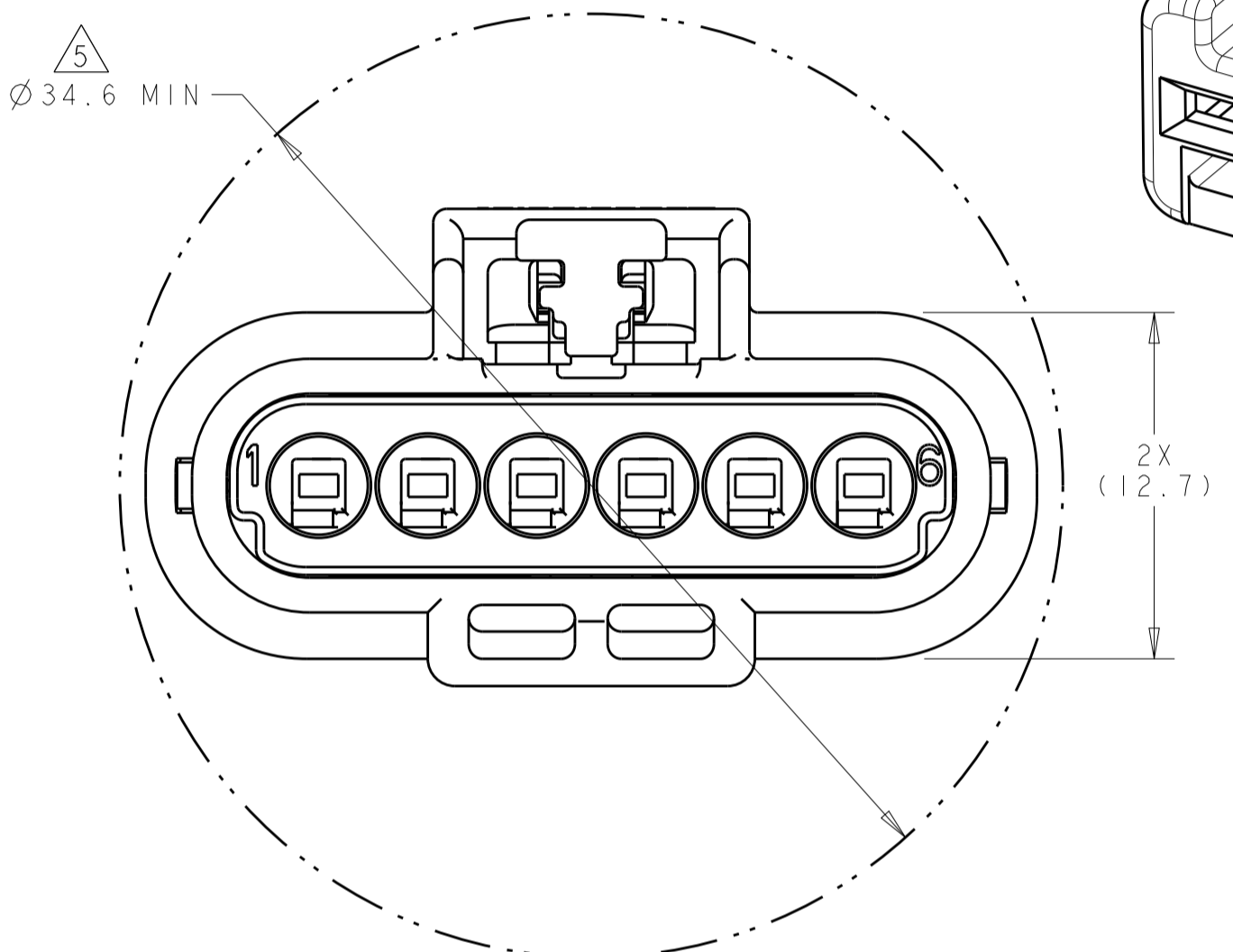
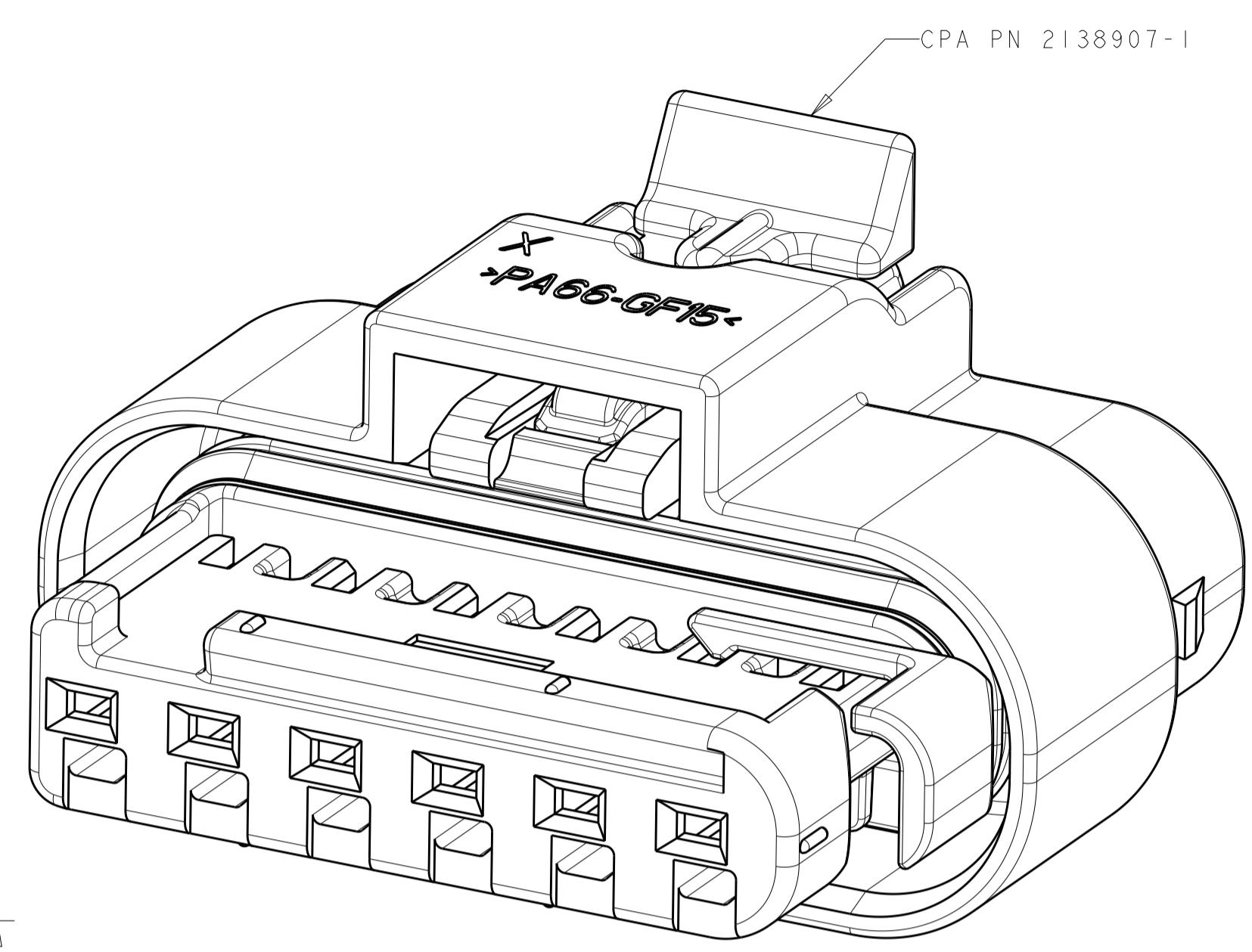
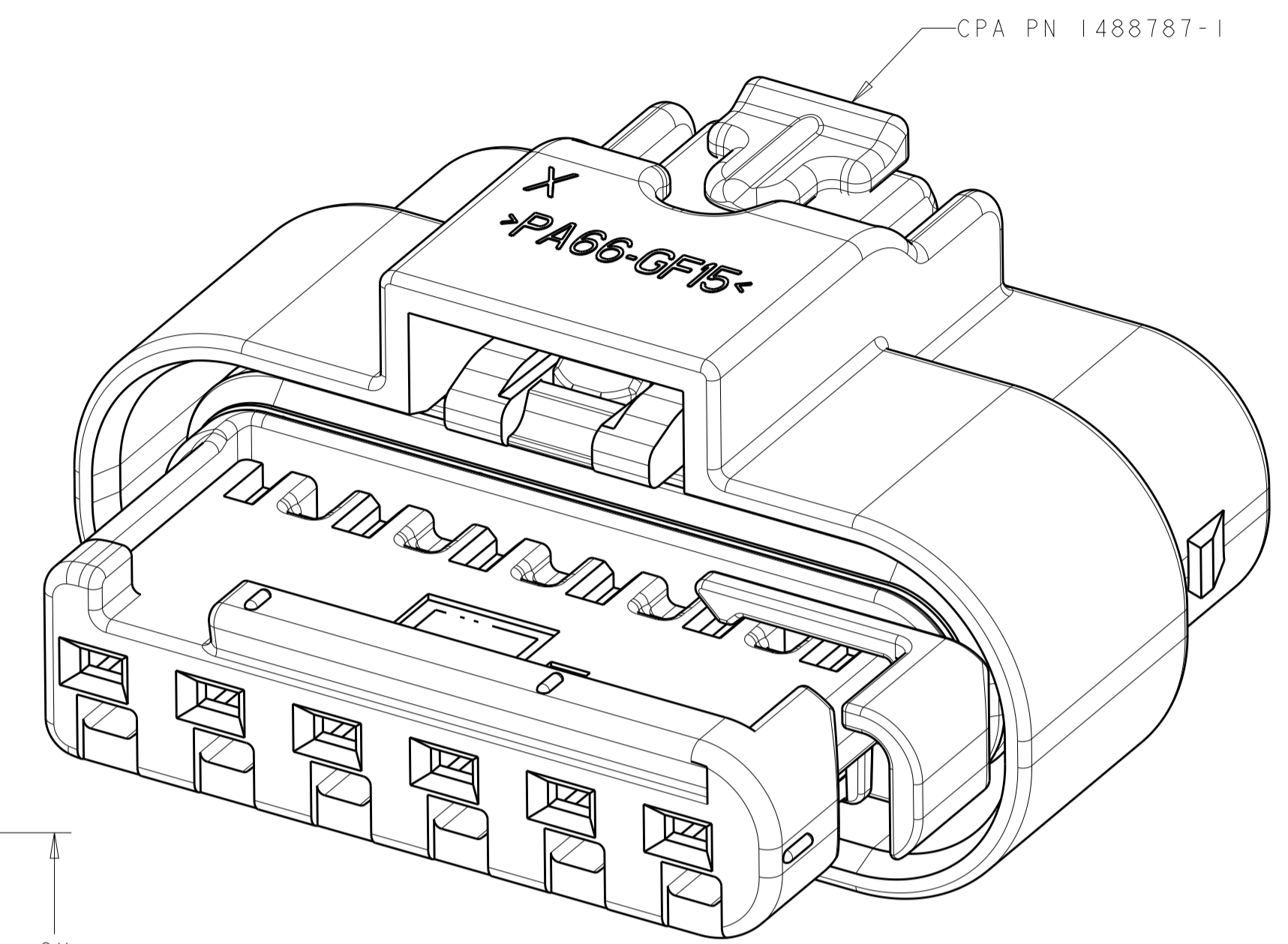
OWN: M. HITCHCOCK, 6 JAN 2007. CHK: G. MARTIN, 16 JAN 2007. APVD: G. MARTIN, 16 JAN 2007. NAME: PRODUCT SPEC. APPLICATION SPEC. SEE NOTES.

WEIGHT: 5.53 grams. SIZE: 100779. CUSTOMER DRAWING. SCALE: 4:1. SHEET 1 OF 2. REV B2.

TE Connectivity
CONNECTOR ASSEMBLY, FEMALE, 6 POSITION SEALED, 1.2mm MCON

REVISIONS				
P.	LTN	DESCRIPTION	DATE	OWN APVD
-	-	SEE SHEET 1	-	-

ISOMETRIC VIEWS



P/N 1924292-5 SHOWN
SCALE 6:1

P/N 4-1924292-1 SHOWN
SCALE 6:1

FEED THROUGH CONDITION

FEED THROUGH CONDITION

THIS DRAWING IS A CONTROLLED DOCUMENT.		OWN: M. HITCHCOCK 16JAN2007	
DIMENSIONS: mm		CHK: G. MARTIN 16JAN2007	
TOLERANCES UNLESS OTHERWISE SPECIFIED:		APVD: G. MARTIN 16JAN2007	NAME: CONNECTOR ASSEMBLY, FEMALE, 6 POSITION SEALED, 1.2mm MCON
0 PLC ± 1 PLC ±0.3 2 PLC ±0.10 3 PLC ± 4 PLC ± ANGLES ±		PRODUCT SPEC: APPLICATION SPEC: SEE NOTES	
MATERIAL: SEE TABLE		WEIGHT: 5.53 grams FINISH:	SIZE: A100779 CAGE CODE: C=1924292 DRAWING NO: 1924292
CUSTOMER DRAWING		SCALE: 4:1	RESTRICTED TO: SHEET 2 OF 2 REV B2