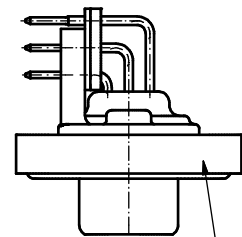
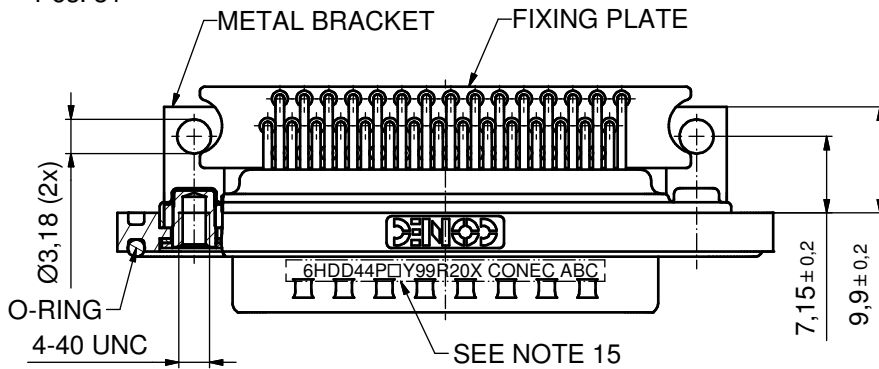
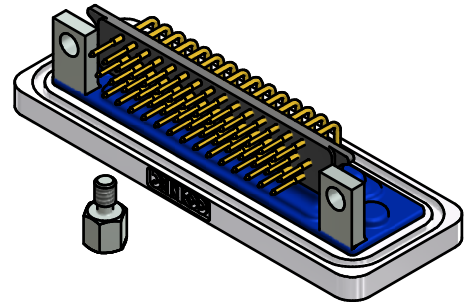
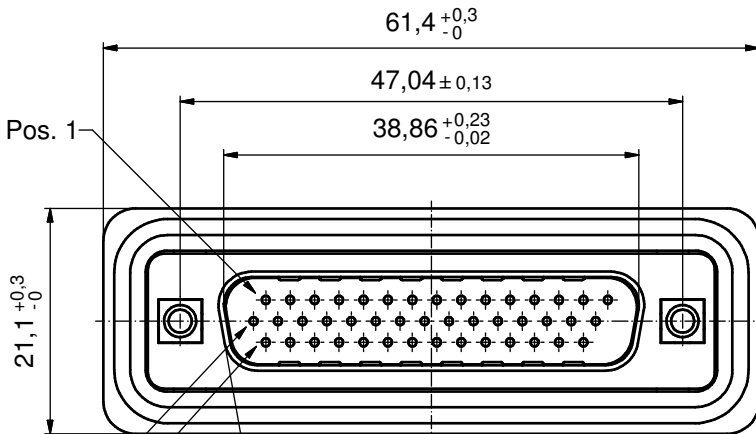
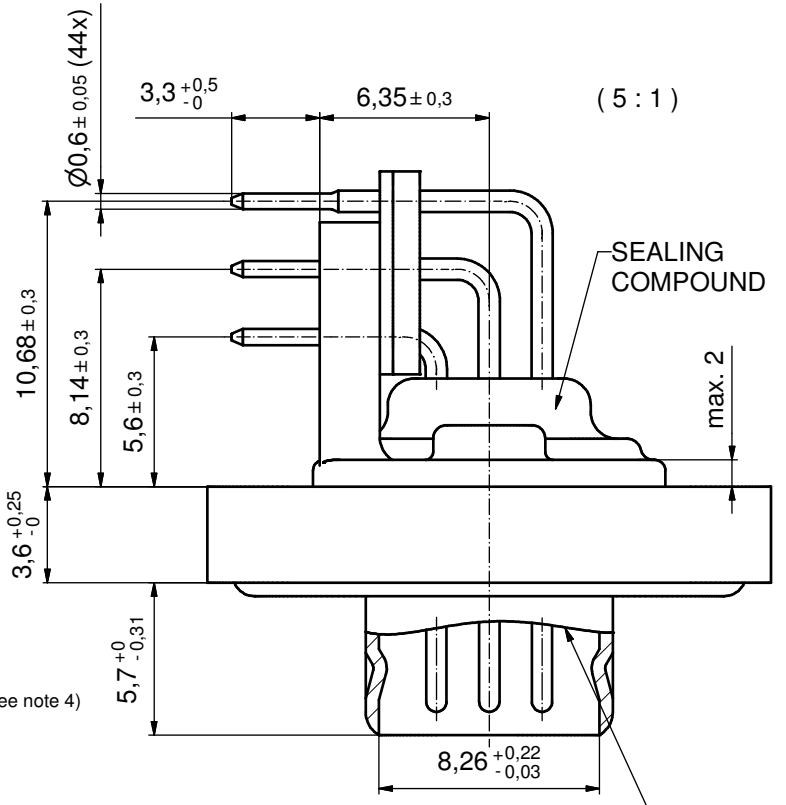
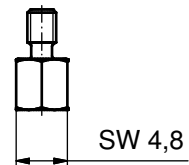
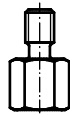
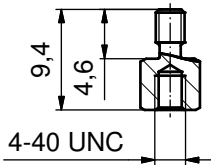


NOTES:

- FOR WAVESOLDERING (SOLDER BATH TEMPERATURE 240°C FOR 5 SEC. / AND SOLDER PREHEAT 120°C FOR 120 SEC.)
- METALSHELLS: COPPER ALLOY; min. 315µin TIN over 40-80µin NICKEL
- INSULATORS: PBT GF UL 94 V-0; BLACK
- SIGNAL CONTACTS: COPPER ALLOY; PLATING (SEE PART NO.):
 - PLEASE ADD C for 30µin HARD GOLD over min. 50µin NICKEL
 - PLEASE ADD B for 20µin HARD GOLD over min. 50µin NICKEL
 - PLEASE ADD A for GOLD FLASH over NICKEL (PREFERRED TYPE)
- METAL BRACKETS: ZINC DIE CAST; 300µin COPPER/40-120µin NICKEL/ 120-200µin TIN
- THREADED INSERTS: COPPER ALLOY; min. 200µin TIN over 80µin NICKEL
- HEXLOCKING SCREWS: STAINLESS STEEL
- FRAME: ZINC DIE CAST; NICKEL PLATED
- FIXING PLATE: PBT GF UL 94 V-0; BLACK
- O-RING: SILICON; BLUE
- RUBBER GASKET: TPE
- SEALING COMPOUND: PUR; BLUE
- P.C.B. HOLE DRILLINGS AND RECOMMENDED PANEL CUT-OUT ON SHEET 2
- RECOMMENDED TORQUE FOR MOUNTING SCREW 35Ncm (3.1 in.LB) / max.40Ncm (3.5 in.LB)
- CONNECTOR IS PART MARKED: **6HDD44P□Y99R20X CONEC ABC** (see note 4)



SEE NOTE 8



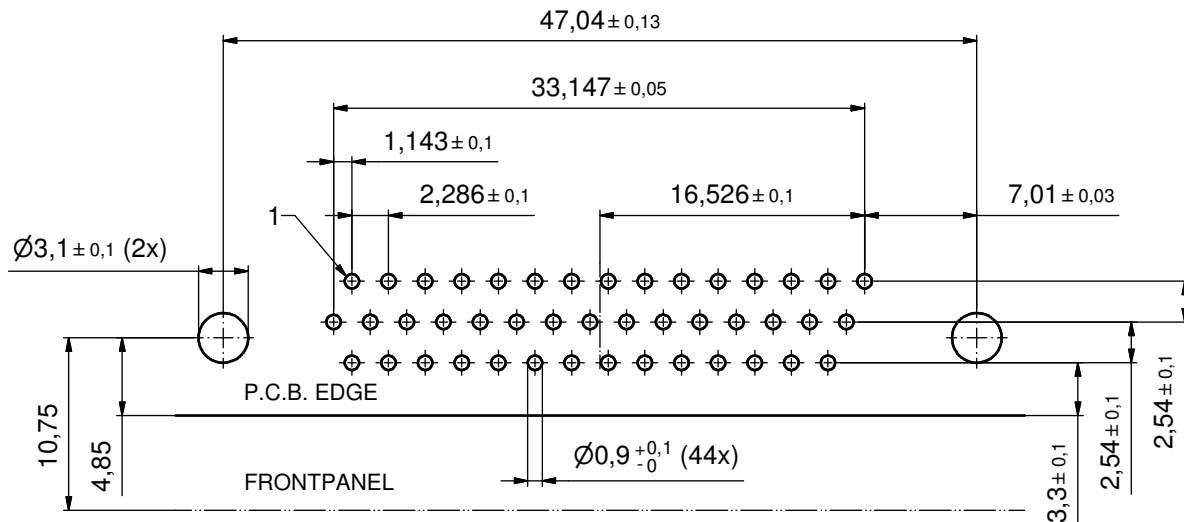
AT ALL TIMES WATER RESISTANT CONNECTORS NOT IN USE SHOULD BE COVERED WITH A CONEC WATER RESISTANT CAP OR WATER TIGHT HOOD.

Directive 2002/95/EC RoHS compliant

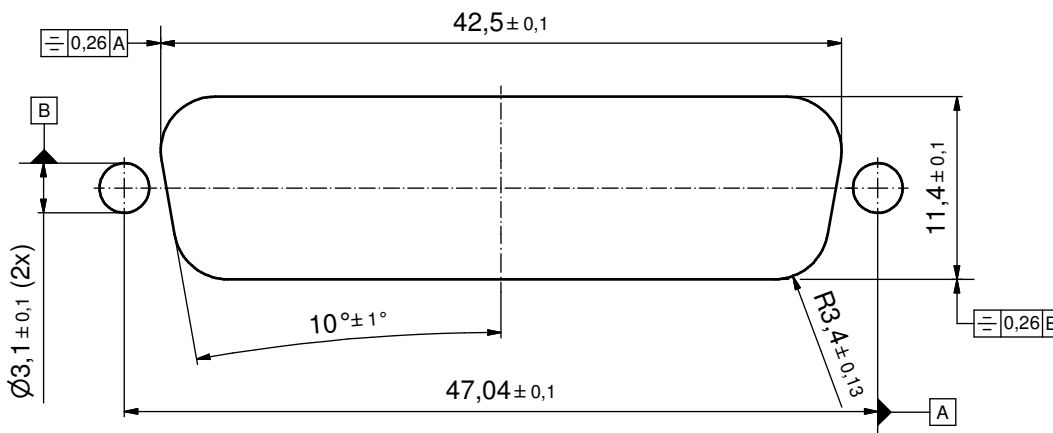
THIS DRAWING MAY NOT BE COPIED OR REPRODUCED IN ANY WAY, AND MAY NOT BE PASSED ON TO A THIRD PARTY WITHOUT WRITTEN PERMISSION. OWNERSHIP AND COPYRIGHT OF CONEC GmbH DO NOT ALTER CAD DRAWING BY HAND				tolerance		dim. in mm	scale: 2:1 (5:1)	
				date			material: SEE NOTES	
1 x b		A4375	11.07.12	name		title:		
a		Original	11.07.12	drawn		D-SUB HD MALE 90°		
rev.		description	date	appd.		44pos. SOLDER PIN ANGLED		
				norm		threaded insert, metal bracket, fixing-plate, hex bolt		
				d-old		dwg no:		
				18K1A476		15K1A1075 (b)		
				CONEC®		part no: 6HDD44P□Y99R20X (see note 4)		
						DIN-A3 sh: 1/2		

P.C.B. HOLE DRILLINGS

(P.C.B. TOP SIDE)



RECOMMENDED PANEL CUT-OUT



THIS DRAWING MAY NOT BE COPIED OR REPRODUCED IN ANY WAY, AND MAY NOT BE PASSED ON TO A THIRD PARTY WITHOUT WRITTEN PERMISSION. OWNERSHIP AND COPYRIGHT OF CONEC GmbH DO NOT ALTER CAD DRAWING BY HAND				tolerance		scale: 3:1
				date	name	material: see sheet 1
				drawn	11.07.12	Henneboel
				appd.	11.07.12	Koch
				norm		
			d-old			
			rev.	a Original		title: P.C.B. HOLE DRILLINGS PANEL CUT-OUT D-SUB Male 44pos. HD SOLDER PIN 90°
			description			dwg no: 15K1A1075
			date			DIN-A3
			name			sh: 2/2
			CONEC [®]		part no: SEE SHEET 1	