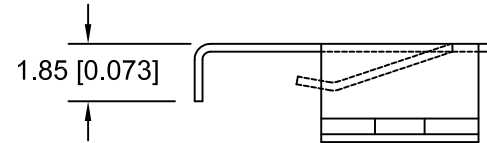
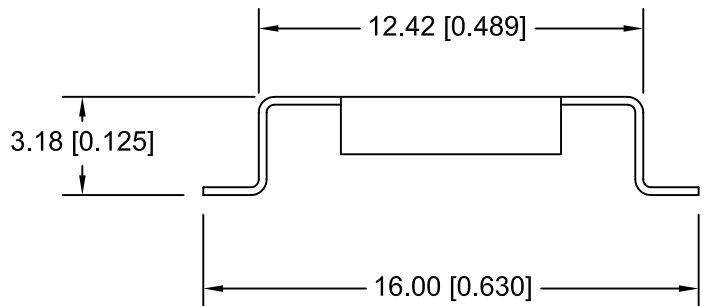
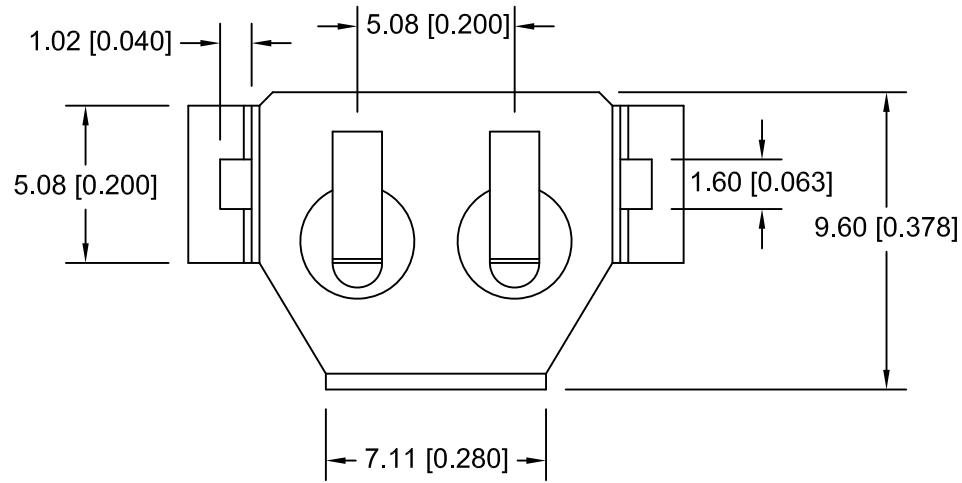



Date	SYM	REVISION RECORD	AUTH	DR.	CK.
11/14/14	A	UPDATED TO ROHS 2 COMPLIANT	T.B.	B.S.	



NOTES:

- 1. MATERIAL:  
PHOSPHOR BRONZE, NICKEL PLATED 80-150 $\mu$  THICKNESS  
ROHS 2 COMPLIANT

Tolerance (Except as noted)	 <b>Memory Protection Devices, Inc</b> 200 Broad Hollow Road, Farmingdale, New York 11735		
decimal $\pm .5$ (.020)		Scale	Drawn By B.S.
Fractional $\pm .8$ (.030)	Title LR1120 BATTERY RETAINER		
Angular $\pm 3^\circ$	Date 11/14/14	Drawing Number BK-1120-TR	