



PRODUCT DATASHEET

Lena series

last update 30/12/2016

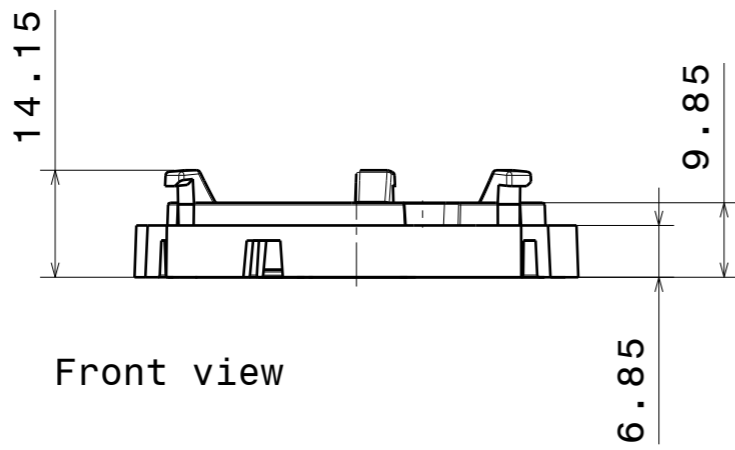
DETAILS

Product Number	C14146_LENA-STD-BASE-CXA18
Family	Lena
Type	Lens
Color	white
Diameter	58,68 mm
Height	14,15 mm
Style	round
Optic Material	
Holder Material	
Fastening	screw
Status	production ready
ROHS Compliant	Yes
Date Updated	30/12/2016

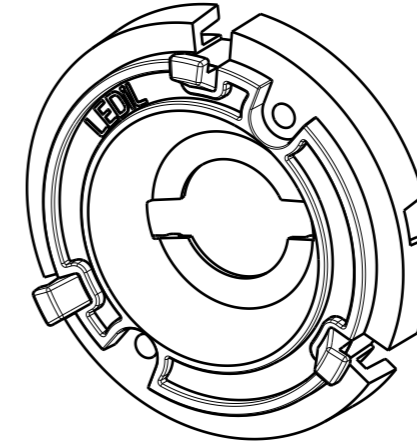


OPTICAL PROPERTIES

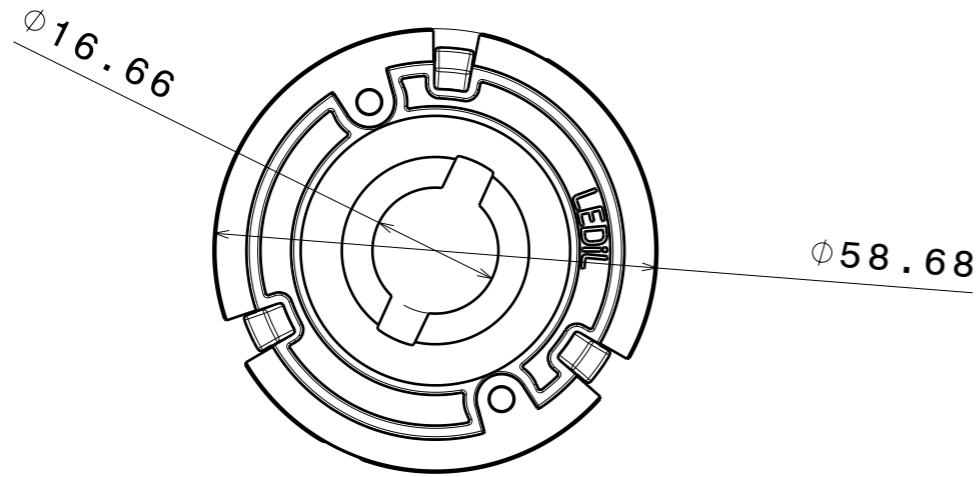
LED	Viewing Angle	Light Beam	Efficiency	cd/lm	Connector
CXA/B 1816 & CXA/B 1820 & CXA 1850	N/A deg	-	-	-	-



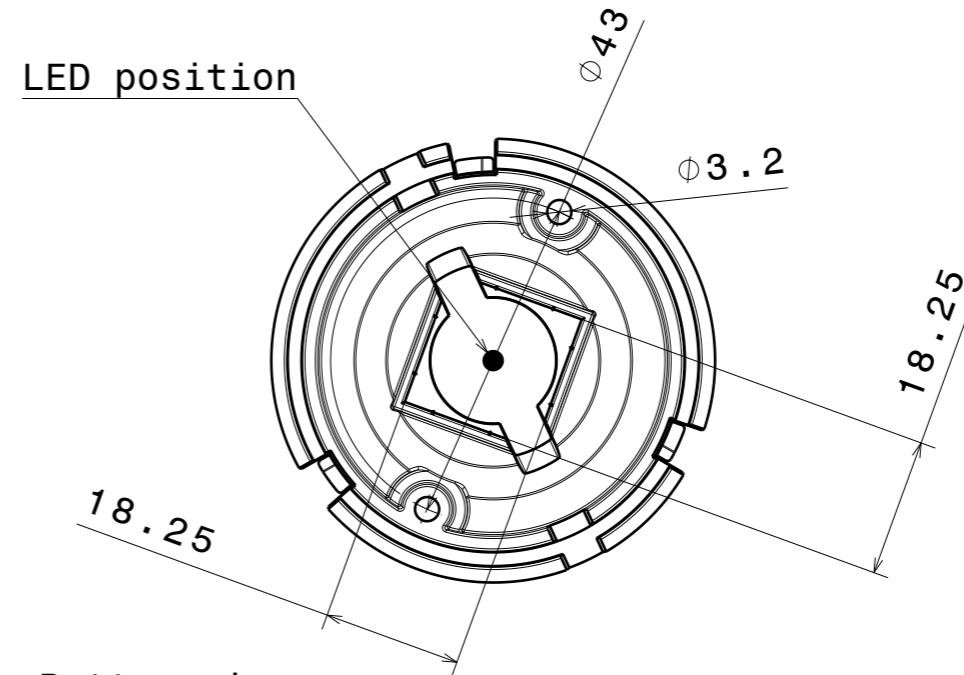
Front view



Isometric view



Top view



Bottom view

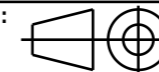
INDEX	PART NO	DESCRIPTION	MATERIAL	COLOUR
1	C14146	LENA-STD-BASE-CXA18	PC	white

Tolerances if not otherwise shown
 According to DIN ISO 2768-1
 Linear measures: class C
 According to DIN ISO 2768-2
 Form and position: class L



Ledil Oy
 Salorankatu 10
 FIN 24240 SALO
 Finland

THIRD ANGLE PROJECTION:



DRAWING TITLE
C14146_LENA-STD-BASE-CXA18

This drawing is the property
 of LEDiL Oy. It may not be
 reproduced, copied or
 communicated without a written
 agreement with LEDiL Oy.

SIZE	PART NUMBER
A3	C14146

SCALE	1:1	WEIGHT	59,47 g	SHEET	1/1
-------	-----	--------	---------	-------	-----

NOTE: The typical divergence will be changed by different color, chip size and chip position tolerance. The typical total divergence is the full angle measured where the luminous intensity is half of the peak value.

GENERAL INFORMATION

- Product series especially designed & optimized for series of LEDs.
- Special care taken to make light distribution as uniform as possible.

Note! Due to use of high power COB's with this product, special attention to proper thermal design is highly recommended. LEDiL has no liability for direct, indirect or consecutive damages arising from the LEDiL products being used outside of the recommended temperature range.