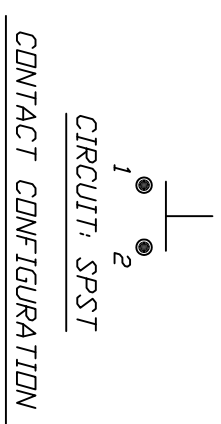
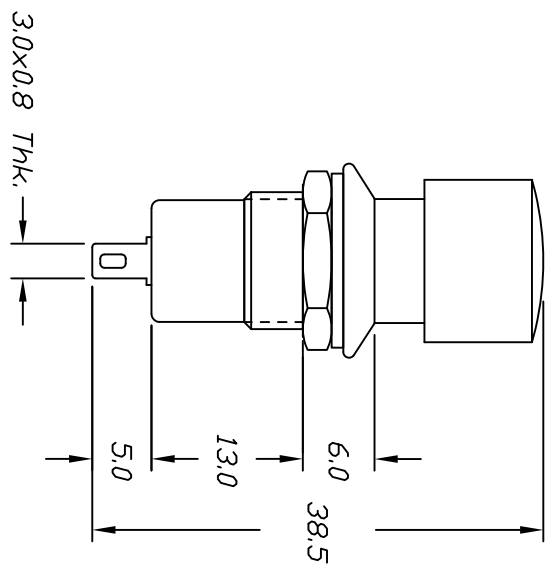
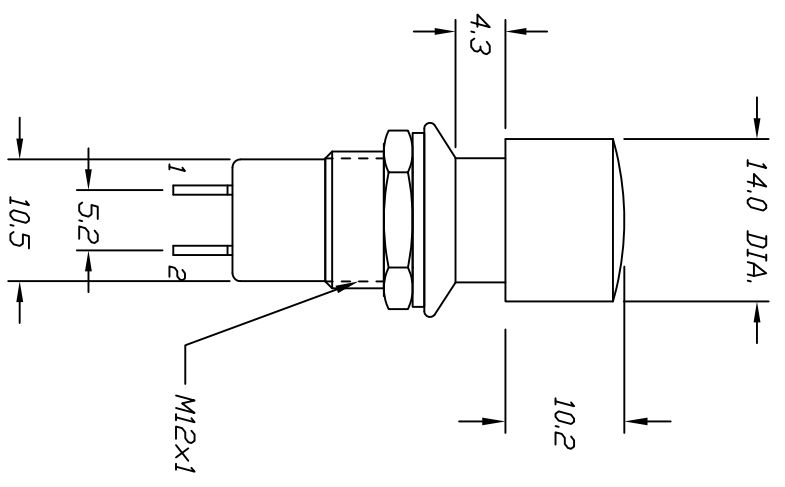


RECOMMEND PANEL LAYOUT



OFF (DN)

( ) = Momentary

- NOTES:
1. ALL DIMENSIONS IN MM
  2. TERM. NOS. FOR REF ONLY
  3. RATING: 3A 125VAC



A		RELEASED FOR PRODUCTION	DATE	CHKD	TITLE		SCALE	DATE	DR	DWG	REV	
REV.		DESCRIPTION			PS 1040A (BLACK BUTTON)		1.5:1	3/4/97	MM	F010401	A	
<p>THE INFORMATION CONTAINED IN THIS DOCUMENT IS PROPRIETARY TO E-SWITCH AND IS NOT TO BE COPIED OR TRANSFERRED</p>												
TOLERANCES												
0.0		±0.4		0.00		±0.25						