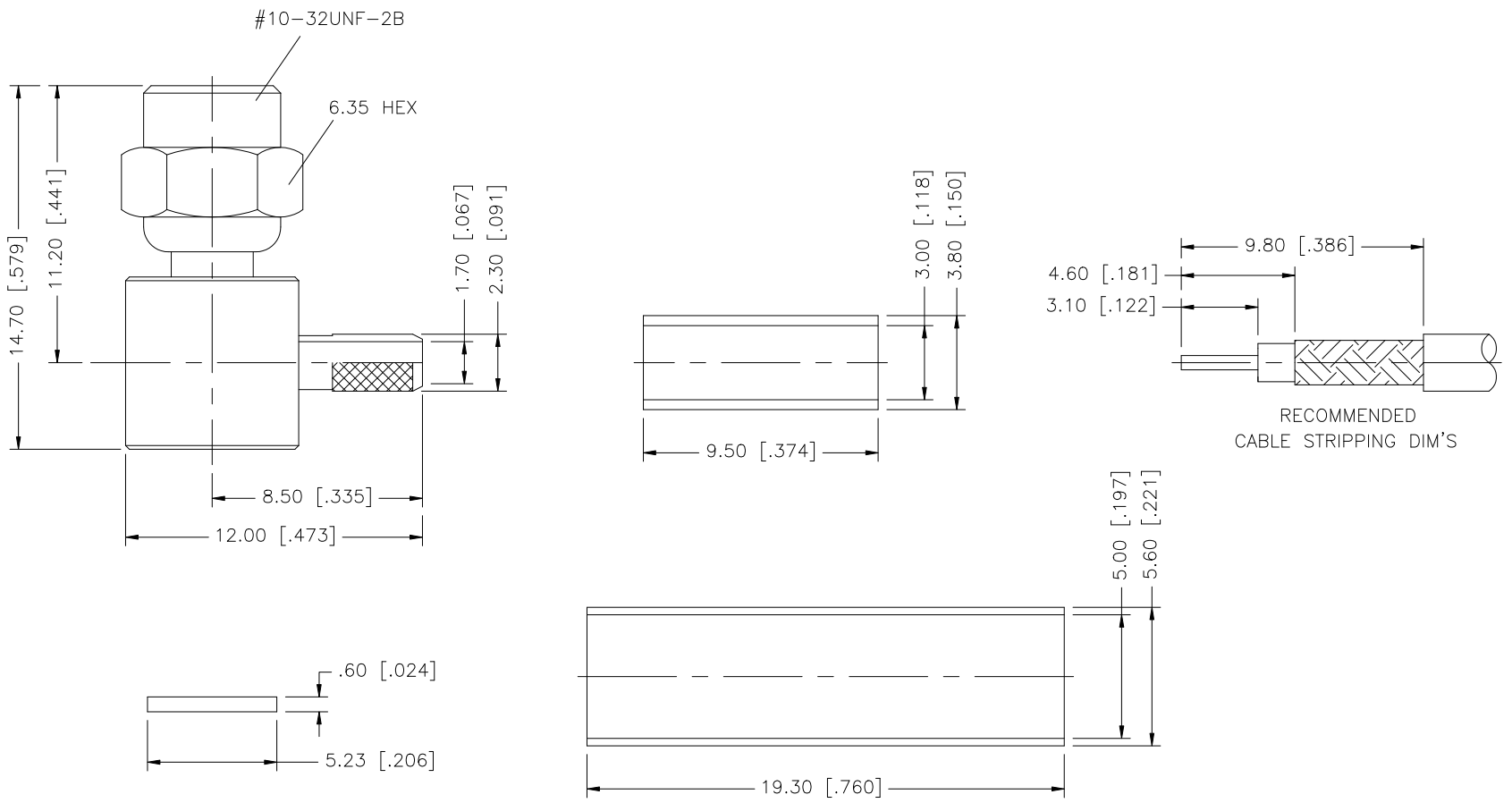


REV.	DATE	DESCRIPTION
NC	08/25/00	INITIAL RELEASE
A	10/04/07	REVISE FERRULE DIMENSIONS, UPDATE DRAWING FORMAT



NOTE:
 1. CRIMPED FERRULE HEX CRIMP SIZE .128"
 2. CONTACT PIN TO SOLDER.

QTY	DESCRIPTION	MATERIAL	FINISH
1	HEAT SHRINK TUBE		
1	FERRULE	COPPER	NICKEL
1	COVER	BRASS	NICKEL
1	CONTACT PIN	BER. COPPER	GOLD
1	INSULATOR	TEFLON	NATURAL
1	BODY	BRASS	NICKEL

UNLESS OTHERWISE SPECIFIED DIMENSIONS ARE IN MILLIMETERS. DIMENSIONS IN [] ARE IN INCHES AND FOR CUSTOMER REFERENCE ONLY.

UNLESS OTHERWISE SPECIFIED TOLERANCES FOR MILLIMETERS ARE:
 0.5 - 8mm ± 0.20mm
 8 - 30mm ± 0.40mm
 30 - 120mm ± 0.50mm

UNLESS OTHERWISE SPECIFIED TOLERANCES FOR INCHES ARE:
 .020 - .315 = ± 0.007"
 .315 - 1.180 = ± 0.015"
 1.180 - 4.724 = ± 0.020"

DO NOT SCALE DRAWING

APPROVALS	DATE
DRAWN G.R.S.	10/04/07
CHECKED	
ISSUED	
SHEET 1 OF 1	
CAD FILE	C:/152/152106.DWG

Amphenol Connex

PART DESCRIPTION
SMC R/A CRIMP PLUG
 (RG-174/U, 188A/U, 316/U)

PART NO.
152106

DWG. NO. 152106.DWG	REV. A	SIZE A	SCALE NA
---------------------	--------	--------	----------