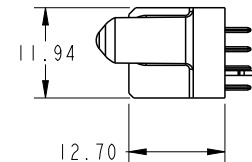
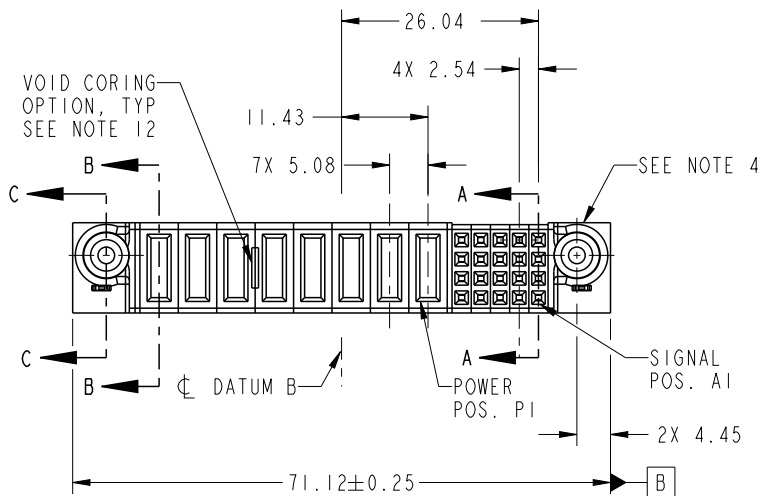


PRODUCT NO.	ROWS	POWER								SIGNAL						
		E2	P8	P7	P6	P5	P4	P3	P2	P1	5	4	3	2	1	E1
51940-419-- NOTE: 3	D C B A		PA	PA	PA	PA	PA	PA	PA	PA	E	E	E	E	E	

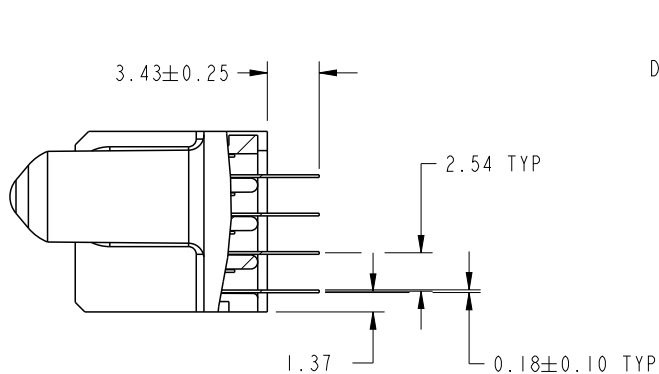


CODE	DIM "M" MATING LENGTH	CONTACT TYPE
E	[N/A]	SIGNAL
PA	[1.07]	POWER
HA	[N/A]	HOLD-DOWN

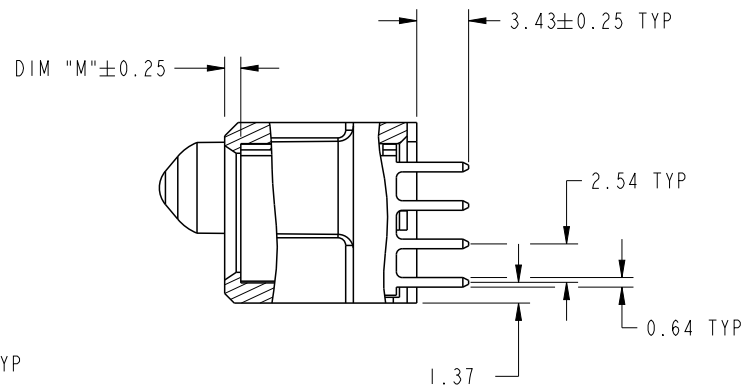
spec ref	See Notes			dr	X Q Wang	2012/01/13	projection 	MM ←→	size	A4	scale	1:1
tolerance std	TOLERANCES UNLESS OTHERWISE SPECIFIED			eng	Luo Weller	2012/09/19			ecn no	-		
See Notes				chr	-	-			rel level	Released		
surface	linear	0.X	±0.5	FCj	www.fci.com	title	20S + 8P	dwg no	51940-419	rev	A	
		0.XX	±0.25									
		0.XXX	±0.1									
	angular	0°	±2°	cat. no.	-	Product - Customer Drw	sheet 1 of 4					

PRODUCT NUMBER

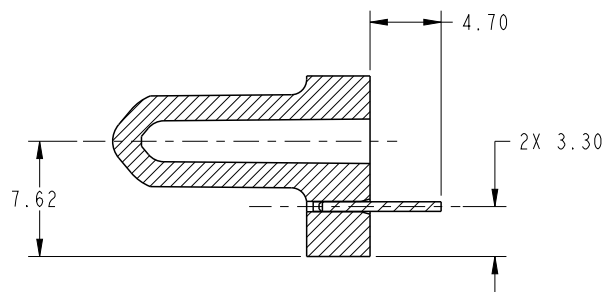
51940-419__
NOTE: 3



SECTION A-A
SCALE 2:1



SECTION B-B
SCALE 2:1



SECTION C-C
SCALE 2:1

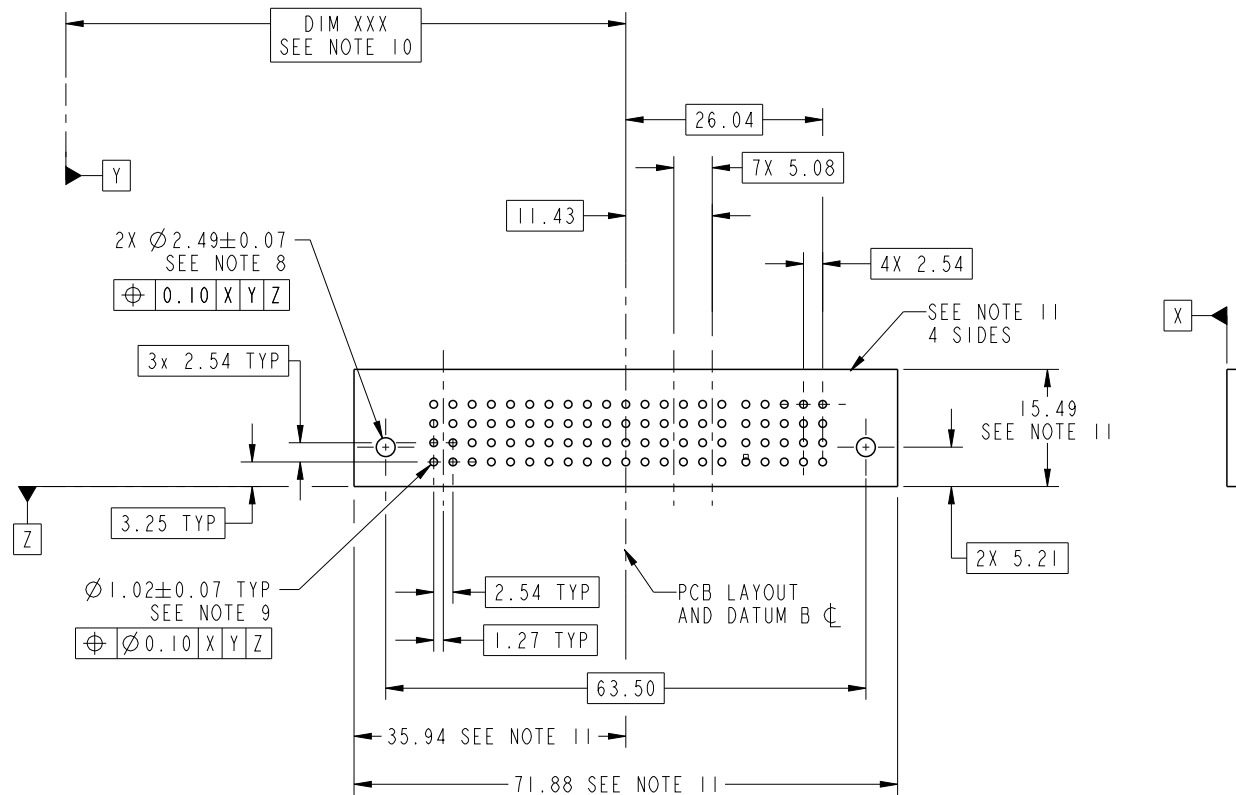
dr	X Q Wang	2012/01/13	projection 	MM 	size	A4	scale	1:1
eng	Luo Weller	2012/09/19			ecn no	-		
chr	-	-			rel level	Released		
appr	Pei-Ming Zheng	-	product family	PwrBlade	rev	A		
		title 20S + 8P VERTICAL SOLDER RECEPT	dwg no 51940-419	cat. no. -	Product - Customer Drw	sheet 2 of 4		



Copyright FCI.

PRODUCT NUMBER

51940-419_
NOTE: 3



RECOMMENDED PCB LAYOUT

dr	X Q Wang	2012/01/13	projection 	MM ←→	size	A4	scale	1:1
eng	Luo Weller	2012/09/19			ecn no	-		
chr	-	-			rel level	Released		
appr	Pei-Ming Zheng	-	product family	PwrBlade	rev	A		
	title	20S + 8P VERTICAL SOLDER RECEPT		dwg no	51940-419	sheet 3 of 4		
www.fci.com	cat. no.	-	Product - Customer Drw					

PRODUCT NUMBER

51940-419__
NOTE: 3

NOTES:

1. DIMENSIONS AND TOLERANCES ARE IN ACCORDANCE WITH ASME Y14.5M, 1994 UNLESS OTHERWISE SPECIFIED.

CONNECTOR NOTES:

- ② HOUSING MATERIAL: UL 94 V-0 GLASS FILLED HIGH-TEMP THERMOPLASTIC
POWER CONTACT MATERIAL: COPPER ALLOY
SIGNAL PIN MATERIAL: COPPER ALLOY
- 3. SEE ITEM 5 & 6 IN PRINT 10064183 FOR PLATING SPEC OF 51940-419 AND 51940-419LF RESPECTIVELY.
- ④ MANUFACTURER'S NAME, DATE CODE AND OPTIONAL P/N TO APPEAR ON THIS SURFACE. THE P/N CAN BE OMITTED IF THERE IS NOT ENOUGH SPACE ON THIS SURFACE.
- 5. PRODUCT SPECIFICATION GS-12-149.
APPLICATION SPECIFICATION BUS-20-067.
- 6. PACKAGED IN TRAYS.
- PCB NOTES:
- 7. ALL HOLE DIAMETERS ARE FINISHED HOLE SIZE.
- ⑧ MOUNTING HOLES, WHERE APPLICABLE, ARE UNPLATED.
- ⑨ $\varnothing 1.151 \pm 0.025$ DRILLED HOLES PLATED WITH
0.008 MIN SnPb OR Sn OVER 0.03
TO 0.08 Cu PLATING TO ACHIEVE
 $\varnothing 1.02 \pm 0.07$ HOLE.
- ⑩ "DIM XXX" TO BE DETERMINED BY THE CUSTOMER.
- ⑪ CONNECTOR KEEP-OUT ZONE.
- 12. THE VOID CORING IN BETWEEN POWER MODULES, SIGNAL MODULES AND END MODULES ARE OPTIONAL AND THE SHAPE MAY BE DIFFERENT FOR OPTIMIZE THE MOLDING PROCESS. THE VOID CORING WILL NOT EFFECT TO PRODUCT FUNCTION.

A

B

C

D

A

B

C

D



Copyright FCI.

dr	X Q Wang	2012/01/13	projection 	MM 	size	A4	scale	1:1
eng	Luo Weller	2012/09/19			ecn no	-		
chr	-	-			rel level	Released		
appr	Pei-Ming Zheng	-	product family	PwrBlade	rev	A		
	title	20S + 8P VERTICAL SOLDER RECEPT		dwg no	51940-419		cat. no.	-
www.fci.com	Product - Customer Drw			sheet 4 of 4				