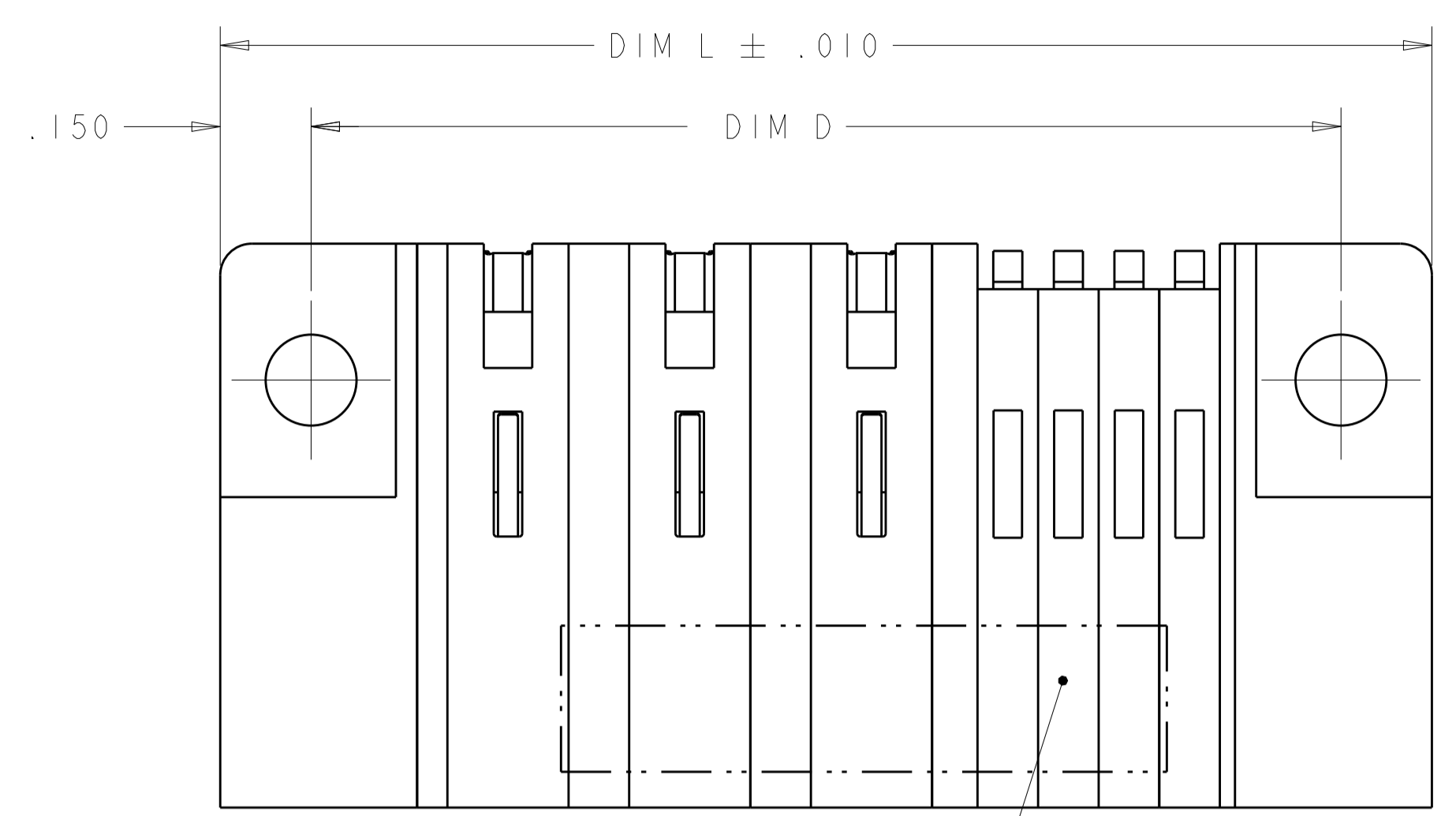
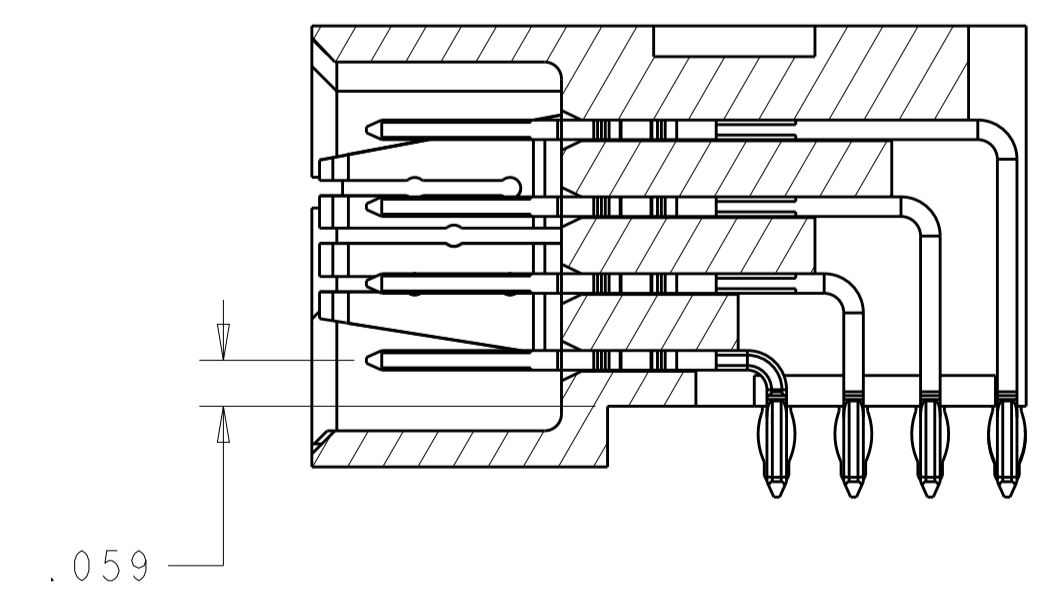
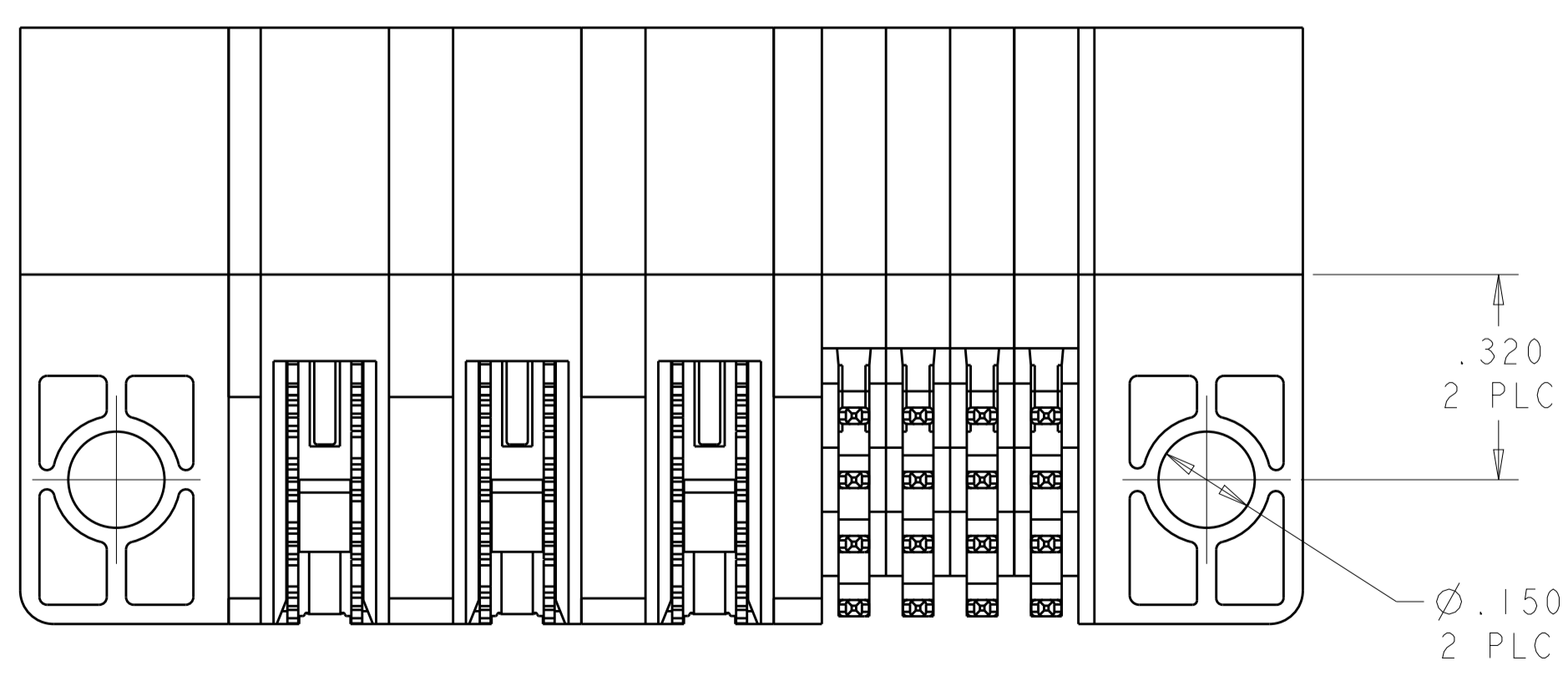
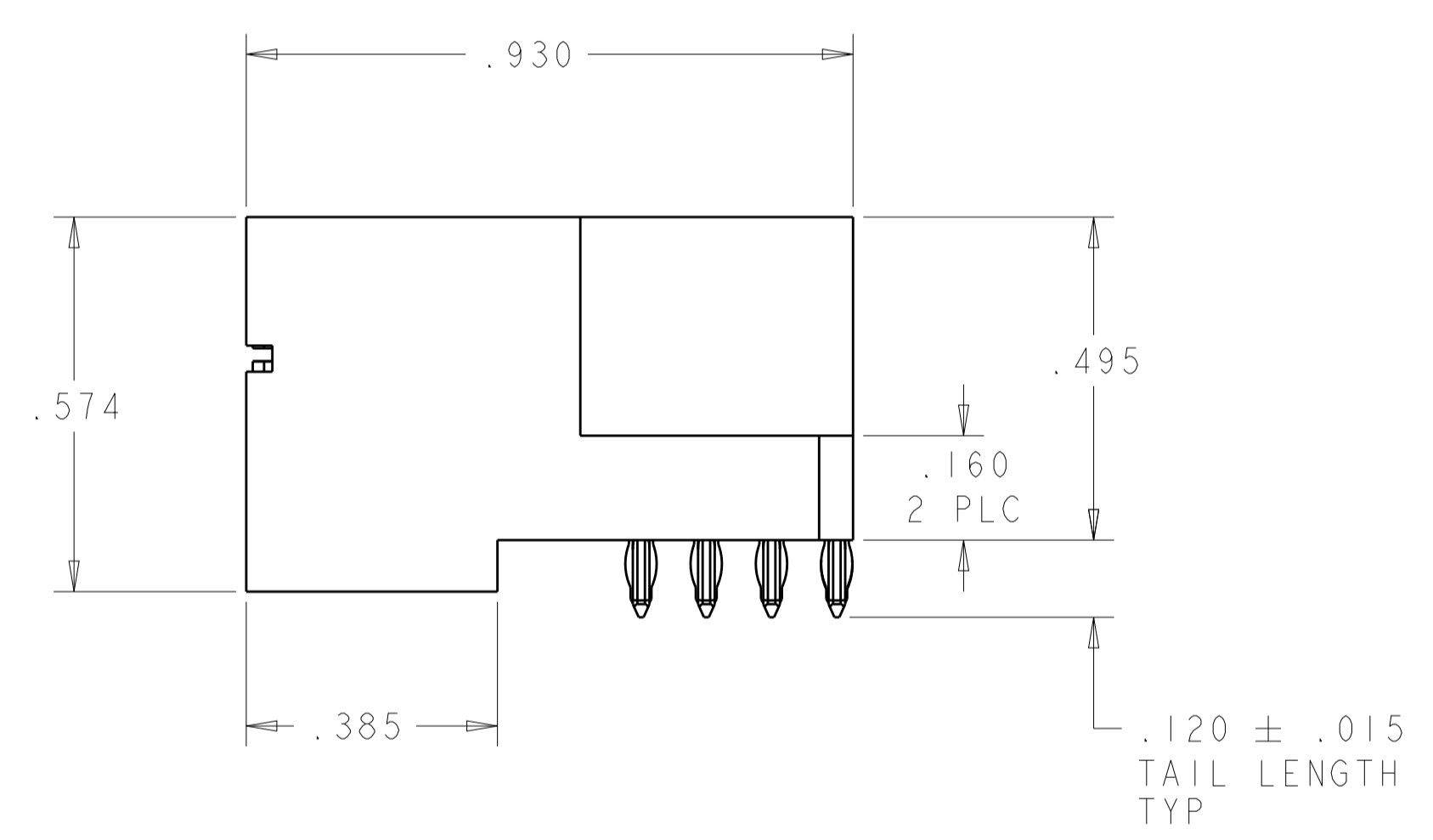
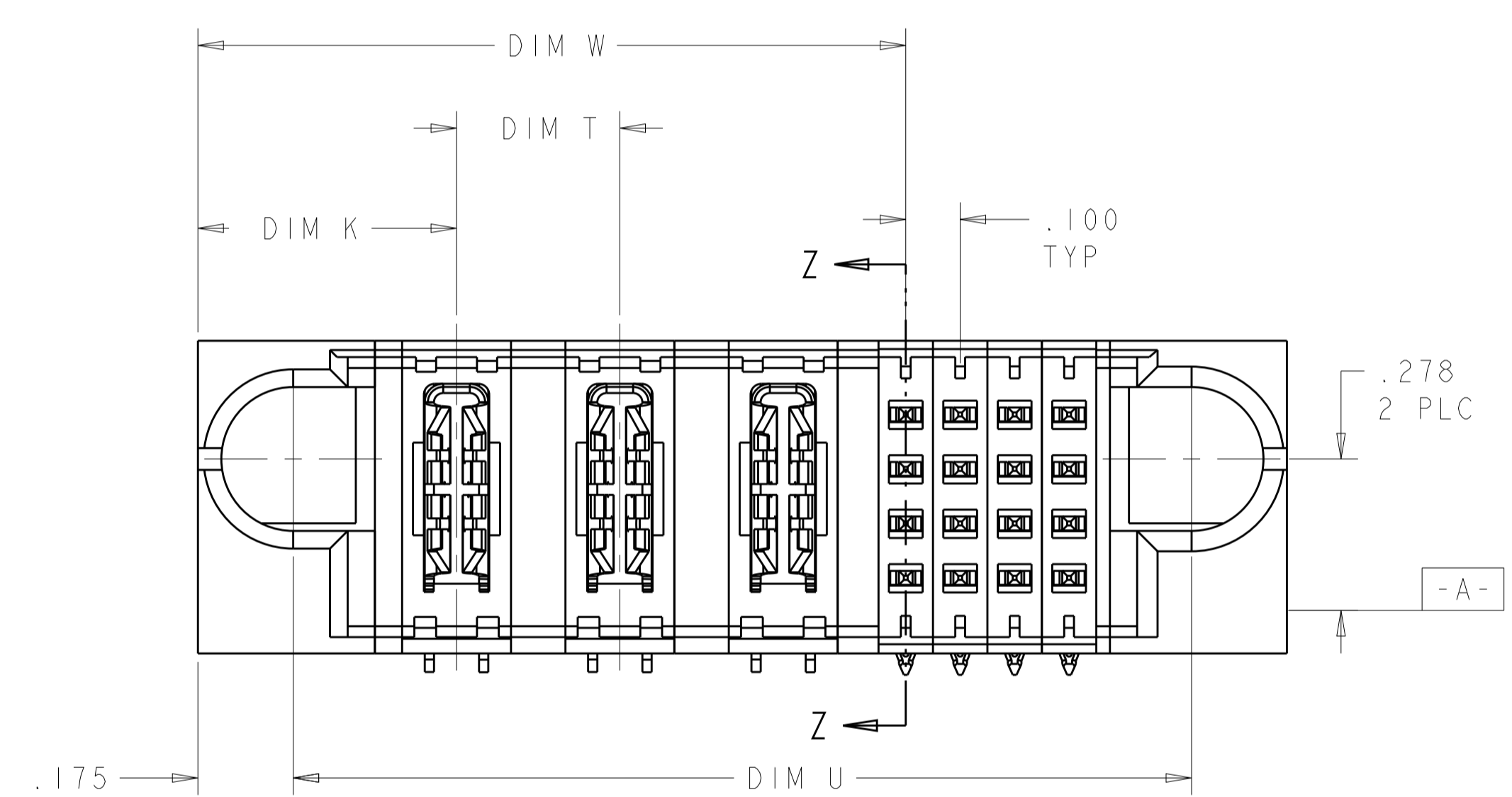


LOC	DIST	REVISIONS			
ES	00	REV	DATE	BY	APP'D
		A	PER REV ECR-06-021202	4SEP2006	DZ SY
		A1	ADDED NEW DASH NUMBER	20MAR2007	DZ SY
		A2	REV PER ECR-13-004638	20MAR2013	ML SZ



- 1 PART NUMBER, AND DATE CODE MARKED IN AREA SHOWN. MARKING ON BOTH SIDES PERMITTED FOR PARTS UNDER 2.00 LONG.
- 2 MATERIAL:  
 HOUSING - GLASS FILLED HIGH TEMP THERMO PLASTIC, UL94 V-0  
 SIGNAL CONTACT - COPPER ALLOY  
 POWER CONTACT - HIGH CONDUCTIVITY COPPER ALLOY
- 3 CONTACT PLATING: NOBLE METAL PLATING ON CONTACT FUNCTIONAL AREA OF POWER AND SIGNAL CONTACTS
- 4 MECHANICAL CONNECTOR KEEP OUT ZONE.
- 5 DATUM AND BASIC DIMENSIONS ESTABLISHED BY CUSTOMER.
- 6 PCB - ALL HOLE DIAMETERS ARE FINISHED HOLE SIZES.
- 7 PCB - .0453±.0010 DRILLED HOLES PLATED WITH .0003 MIN Sn OVER .001 TO .003 Cu PLATING TO ACHIEVE A .040 HOLE.



SECTION Z-Z

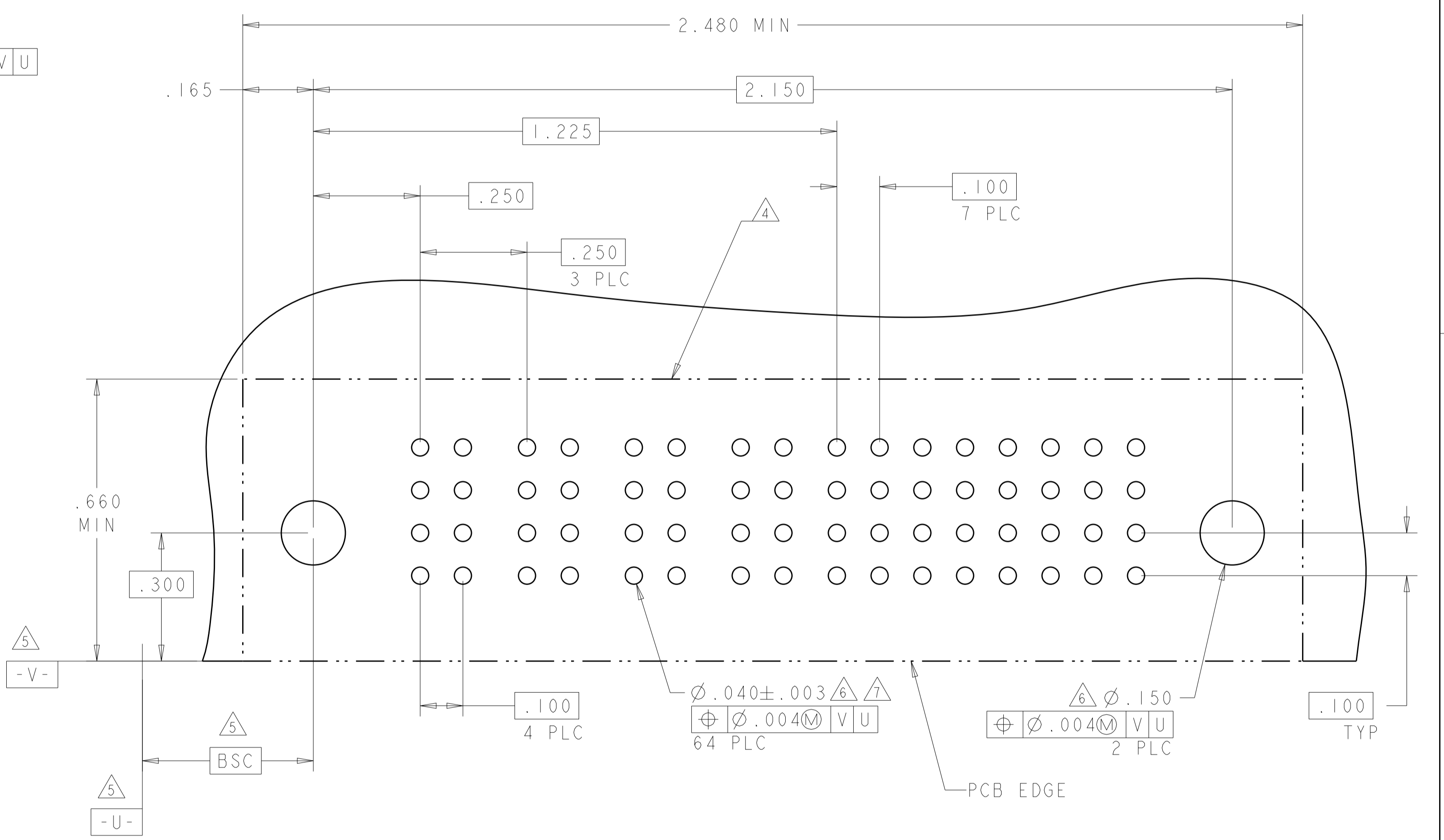
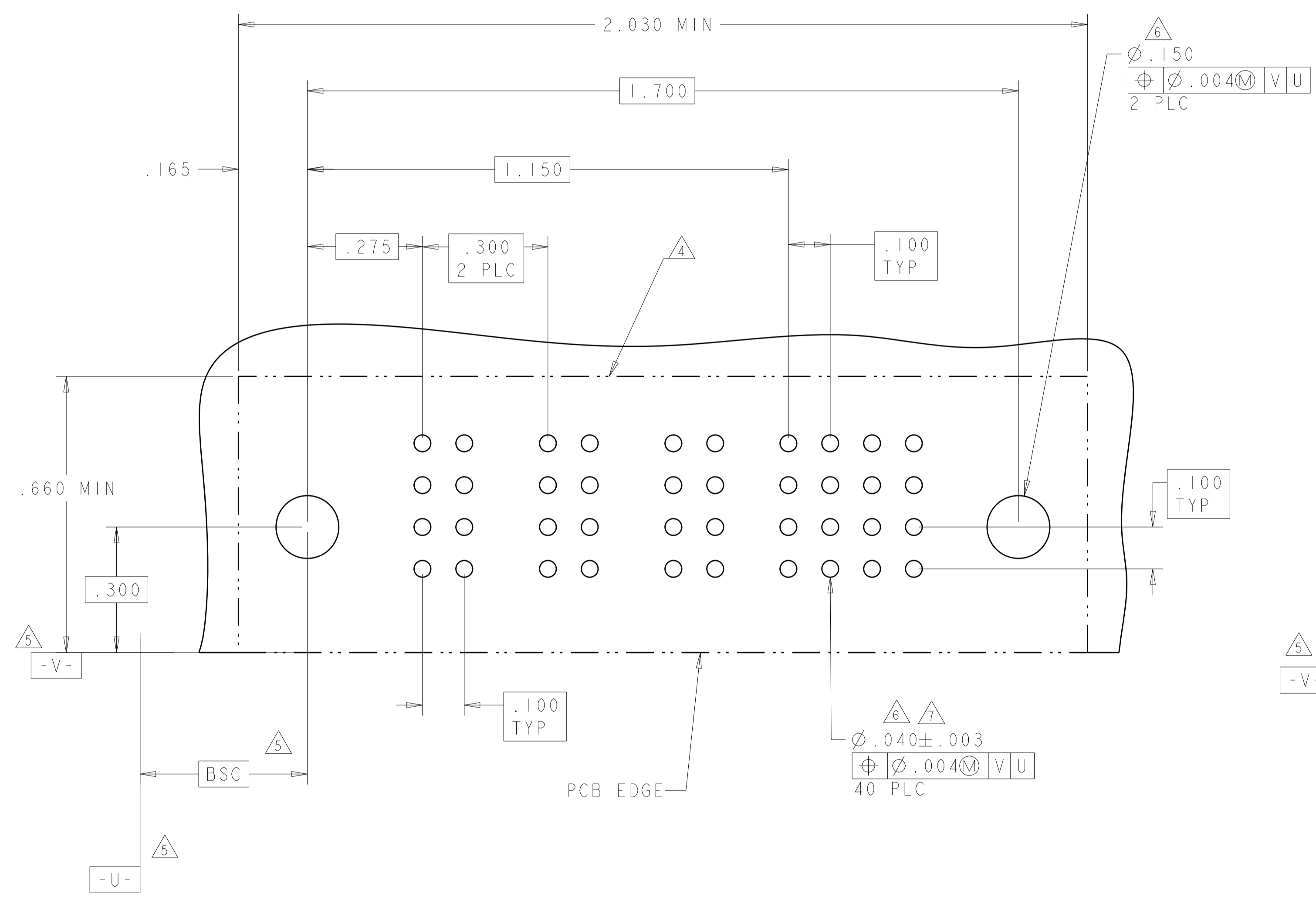
.250	2.100	2.150	1.375	2.450	.450	4P + 32S	6450622-2
.300	1.650	1.700	1.300	2.000	.475	3ACP + 16S	6450622-1
DIM T	DIM U	DIM D	DIM W	DIM L	DIM K	DESCRIPTION	PART NUMBER

DIMENSIONS: INCHES 		TOLERANCES UNLESS OTHERWISE SPECIFIED: 0 PLC ±.1 1 PLC ±.01 2 PLC ±.005 3 PLC ±.0020 ANGLES ±.7°		DWN DENNY ZHU 4SEP2006 CHK S. ZHAO 4SEP2006 APVD S. YAO		<b>tyco</b> Electronics Tyco Electronics incorporated Shanghai, P.R. China. 200233	
MATERIAL 		FINISH 		PRODUCT SPEC 108-1973		NAME RIGHT ANGLE HEADER MULTI-BEAM XL, PWR-SIG W/GUIDES AND .150 HOLE, PRESS FIT	
CUSTOMER DRAWING		SCALE 4:1		SHEET 1 OF 2		REV A2	

LOC	DIST	REV	DATE	BY	APPD
ES	00				
REVISIONS			DESCRIPTION	DATE	BY
			SEE SHEET 1		

PART NUMBER	ROWS	POWER			SIGNAL			
		P1	P2	P3	1	2	3	4
6450622-1	D C B A	PT	PT	PT	Z5	Z5	Z5	Z5
					Y5	Y5	Y5	Y5
					R5	R5	R5	R5
					O5	O5	O5	O5
3ACP + 16S								

PART NUMBER	ROWS	POWER				SIGNAL							
		P1	P2	P3	P4	1	2	3	4	5	6	7	8
6450622-2	D C B A	PT	PT	PT	PT	Z5	Z5	Z5	Z5	Z5	Z5	Z5	Z5
						Y5	Y5	Y5	Y5	Y5	Y5	Y5	Y5
						R5	R5	R5	R5	R5	R5	R5	R5
						O5	O5	O5	O5	O5	O5	O5	O5
4P + 32S													



CODE	MATING SEQUENCE	ROW
Z5	STD	D
Y5	STD	C
R5	STD	B
O5	STD	A

CODE	MATING SEQUENCE	ROW
PT	STD	

POWER		SIGNAL	
PT	STD	Z5	STD
CODE	MATING SEQUENCE	Y5	STD
		R5	STD
		O5	STD

DIMENSIONS: INCHES 		TOLERANCES UNLESS OTHERWISE SPECIFIED: 0 PLC ±.1 1 PLC ±.01 2 PLC ±.01 3 PLC ±.005 4 PLC ±.002 ANGLES ±.020 FINISH		DWN DENNY ZHU 4SEP2006 CHK S. ZHAO 4SEP2006 APVD S. YAO NAME PRODUCT SPEC 108-1973 APPLICATION SPEC 114-13038 WEIGHT CUSTOMER DRAWING		Tyco Electronics incorporated Shanghai, P.R. China. 200233 RIGHT ANGLE HEADER MULTI-BEAM XL, PWR-SIG W/GUIDES AND .150 HOLE, PRESS FIT SIZE CAGE CODE DRAWING NO RESTRICTED TO A1 00779 C=6450622 SCALE 4:1 SHEET 2 OF 2 REV A2	
---------------------------	--	---	--	--	--	--	--