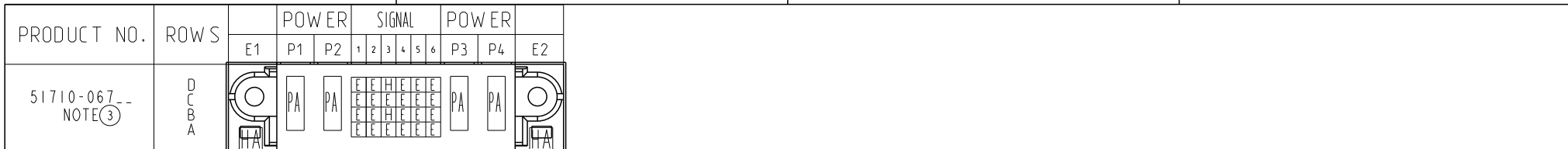


1

2

3

4



A

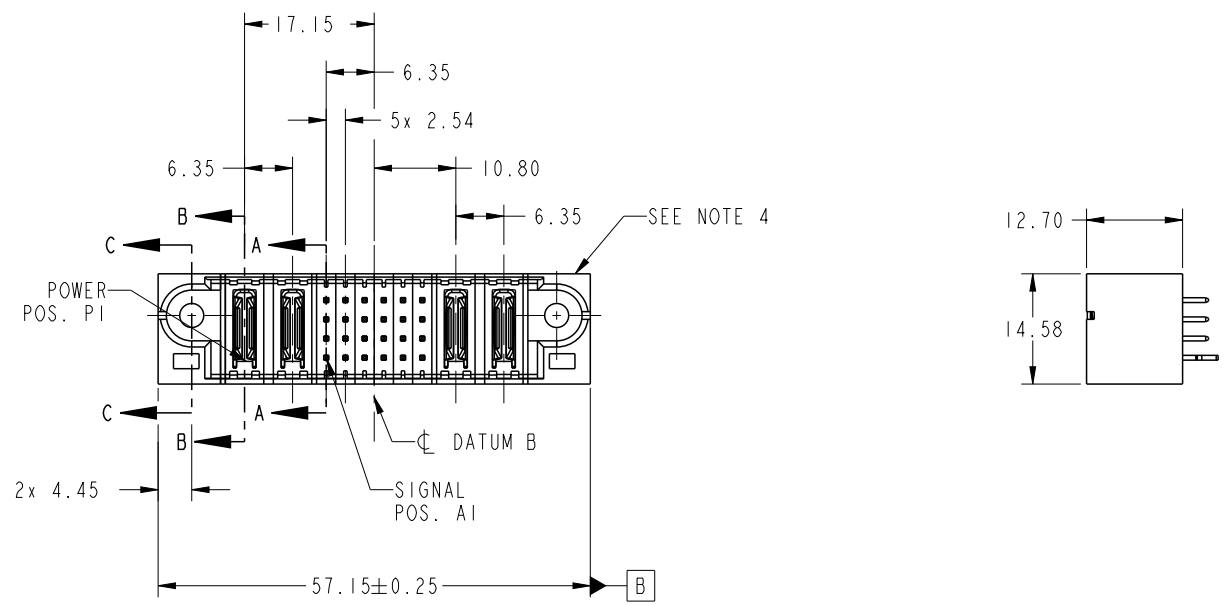
A

B

B

C

C



CODE	DIM "M" MATING LENGTH	CONTACT TYPE
PA	[N/A]	POWER
E	[6.86]	SIGNAL
H	[5.59]	SIGNAL
HA	[N/A]	HOLD-DOWN



Copyright FCI.

spec ref	See Notes		dr	Ruan MT	2014/06/18	projection 	MM ←→	size	A4	scale	1:1
tolerance std	TOLERANCES UNLESS OTHERWISE SPECIFIED		eng	De-Ming Lu	2014/07/03			ecn no	-		
See Notes			chr	-	-			rel level	Released		
surface	linear	0.X ±0.50 0.XX ±0.25 0.XXX ±0.10	appr	Pei-Ming Zheng	2014/07/03	product family	PwrBlade	rev	A		
	angular	0° ±2°	www.fci.com		cat. no.	&model_name	Product - Customer Drw	sheet 1 of 4			
			FCI		title	2P + 24S + 2P VERTICAL SOLDER HEADER		dwg no	51710-067		

PreE File - REV C - 2009-06-09

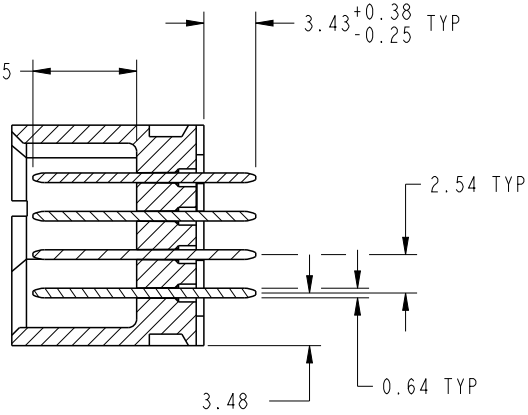
2

3

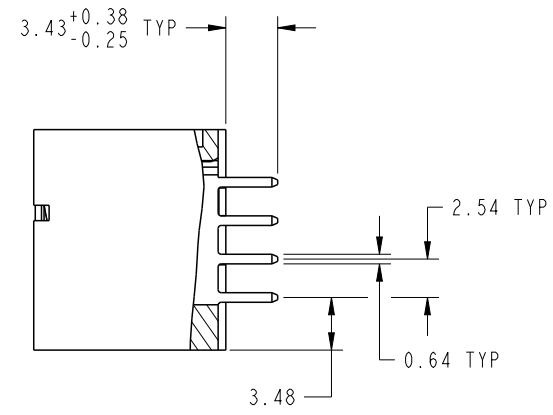
4

PRODUCT NUMBER
51710-067--
NOTE 3

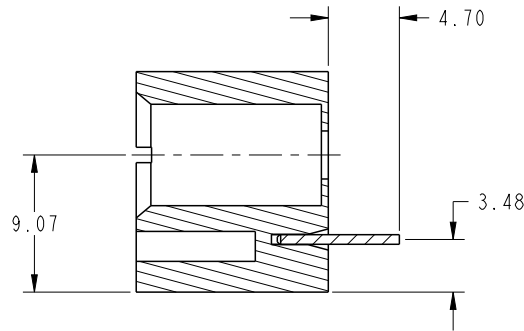
DIM "M" ±0.25



SECTION A-A
SCALE 2:1



SECTION B-B
SCALE 2:1

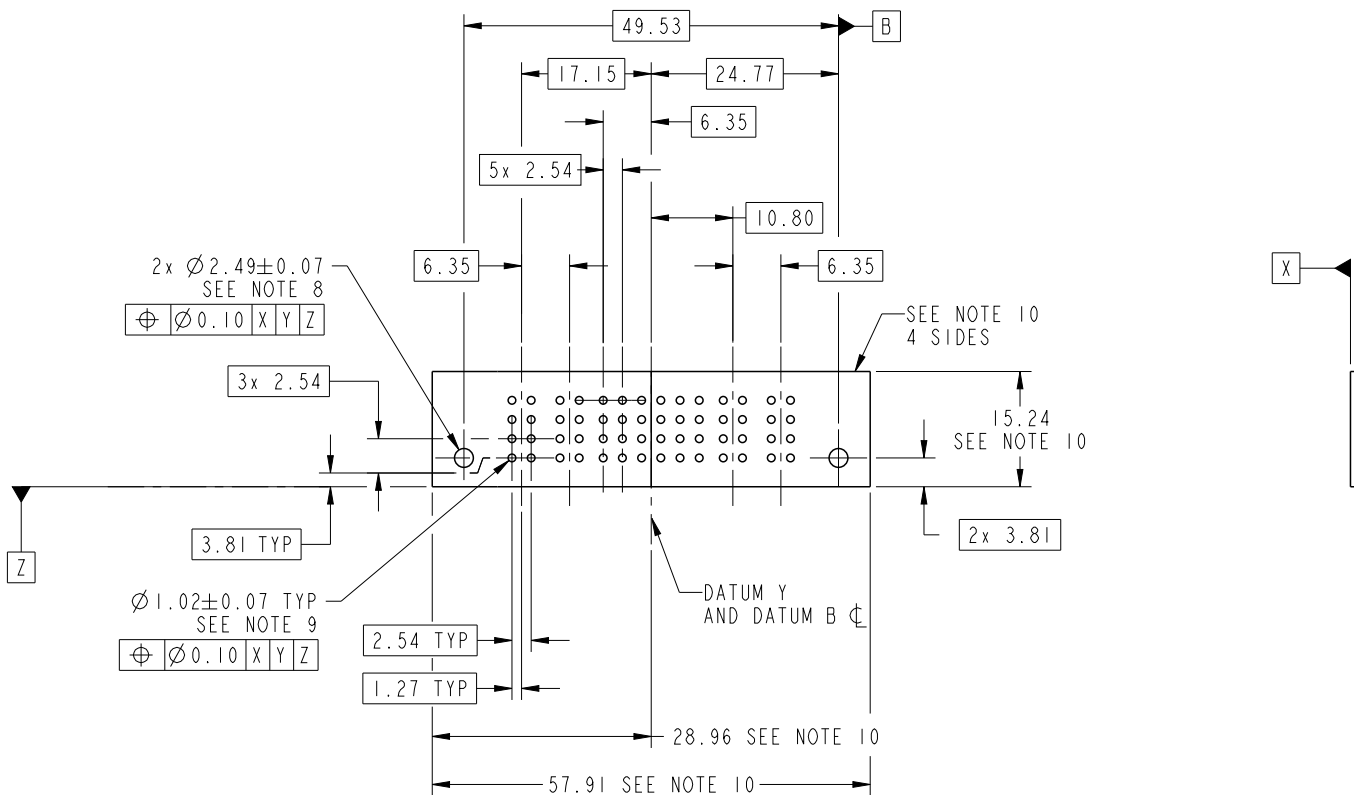


SECTION C-C
SCALE 2:1

dr	Ruan MT	2014/06/18	projection 	MM 	size	A4	scale	1:1
eng	De-Ming Lu	2014/07/03			ecn no	-		
chr	-	-			product family	PwrBlade	rel level	Released
appr	Pei-Ming Zheng	2014/07/03			title 2P + 24S + 2P VERTICAL SOLDER HEADER	dwg no 51710-067	rev A	
www.fci.com		cat. no.	&model_name	Product - Customer Drw	sheet 2 of 4			

PRODUCT NUMBER

51710-067--
NOTE 3



RECOMMENDED PCB LAYOUT

dr	Ruan MT	2014/06/18	projection 	MM 	size	A4	scale	1:1
eng	De-Ming Lu	2014/07/03			ecn no	-		
chr	-	-			rel level	Released		
appr	Pei-Ming Zheng	2014/07/03	product family	PwrBlade	rev	A		
	title		2P + 24S + 2P		dwg no	51710-067		
			VERTICAL SOLDER HEADER					
www.fci.com	cat. no.	&model_name	Product - Customer Drw		sheet 3 of 4			

PRODUCT NUMBER

51710-067--
NOTE 3

NOTES:

1. DIMENSIONS AND TOLERANCES ARE IN ACCORDANCE WITH ASME Y14.5M, 1994 UNLESS OTHERWISE SPECIFIED.

CONNECTOR NOTES:

- ② HOUSING MATERIAL: UL 94 V-0 GLASS FILLED HIGH-TEMP THERMOPLASTIC
POWER CONTACT MATERIAL: COPPER ALLOY
SIGNAL PIN MATERIAL: COPPER ALLOY
- 3. SEE ITEM 1 & 2 IN PRINT 10064183 FOR PLATING SPEC OF 51710-067 AND 51710-067LF RESPECTIVELY.

④ MANUFACTURER'S NAME, DATE CODE AND OPTIONAL P/N TO APPEAR ON THIS SURFACE. THE MARK CAN BE OMITTED IF THERE IS NOT ENOUGH SPACE ON THIS SURFACE.

5. PRODUCT SPECIFICATION GS-12-149.
APPLICATION SPECIFICATION BUS-20-067.

6. PACKAGED IN TRAYS.

PCB NOTES:

- 7. ALL HOLE DIAMETERS ARE FINISHED HOLE SIZE.
- 8. MOUNTING HOLES, WHERE APPLICABLE, ARE UNPLATED.

⑨ $\varnothing 1.151 \pm 0.025$ DRILLED HOLES PLATED WITH 0.008 MIN SnPb OR Sn OVER .001 [0.03] TO 0.08 Cu PLATING TO ACHIEVE $\varnothing 1.02 \pm 0.07$ HOLE.

⑩ CONNECTOR KEEP-OUT ZONE.

dr	Ruan MT	2014/06/18	projection 	MM 	size	A4	scale	1:1			
eng	De-Ming Lu	2014/07/03			ecn no	-					
chr	-	-			product family	PwrBlade	rel level	Released			
appr	Pei-Ming Zheng	2014/07/03			title	2P + 24S + 2P VERTICAL SOLDER HEADER		dwg no	51710-067	rev	A
www.fci.com		cat. no.	&model_name	Product - Customer Drw			sheet 4 of 4				



Copyright FCI.