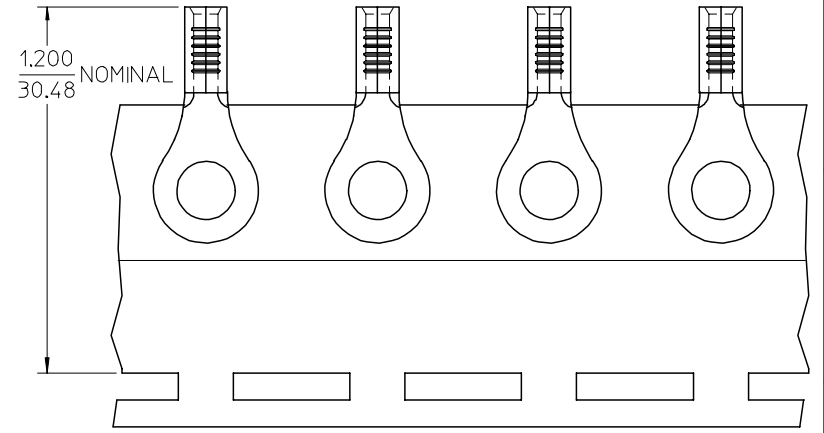
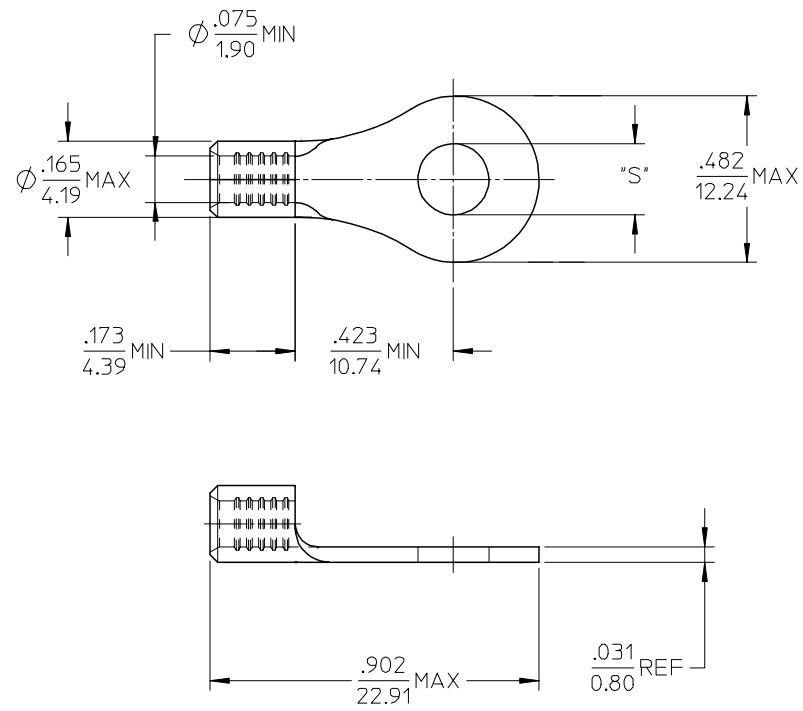


MATERIAL NO.	ENG. NO.	STUD SIZE	"S" MAX	DESCRIPTION
192030490	B-S-125-14	1/4	.259/6.58	LOOSE
192030045	B-S-125-14T	1/4	.259/6.58	TAPE



PARTS ON TAPE

NOTE(S):

- MATERIAL: STEEL
- WIRE SIZE: 16-14 AWG (1.5-2.5 MM²)
- FINISH: NICKEL PLATING
- PART IS ROHS COMPLIANT.
- AMBIENT OPERATING TEMPERATURE UP TO 900 °F (483 °C).

ADDED OPERATING TEMP
 EC NO: ETC2007-0297
 DRW: NEHLE 2007/03/13
 CHKD: JMACNEIL 2007/03/13
 APPR: JMACNEIL 2007/03/14

REV	DESCRIPTION	QUALITY SYMBOLS
▽=0		
▽=0		

GENERAL TOLERANCES (UNLESS SPECIFIED)	
mm	INCH
4 PLACES ± .005	± .0004
3 PLACES ± .005	± .0004
2 PLACES ± .005	± .0004
1 PLACE ± .005	± .0004
ANGULAR ± .005°	

DIMENSION STYLE	
IN/MM	
DRAWN BY	DATE
EHILE	2006/09/20
CHECKED BY	DATE
JMACNEIL	2006/09/20
APPROVED BY	DATE
JMACNEIL	2006/09/20

SCALE	DESIGN UNITS	THIRD ANGLE PROJECTION
4:1	INCH	
TITLE		
RING TONGUE TERMINAL, 16-14 AWG, KRIMP TITE, 900 DEG F (483 DEG C)		
MATERIAL NO. SEE CHART		
DOCUMENT NO. SD-19203-028		SHEET NO. 1 OF 1
THIS DRAWING CONTAINS INFORMATION THAT IS PROPRIETARY TO MOLEX INCORPORATED AND SHOULD NOT BE USED WITHOUT WRITTEN PERMISSION		