

CONNETTORE TIPO A (CON MOLLA DI RITEGNO ESTERNA)
CONNECTOR TYPE A (WITH EXTERNAL SPRING)

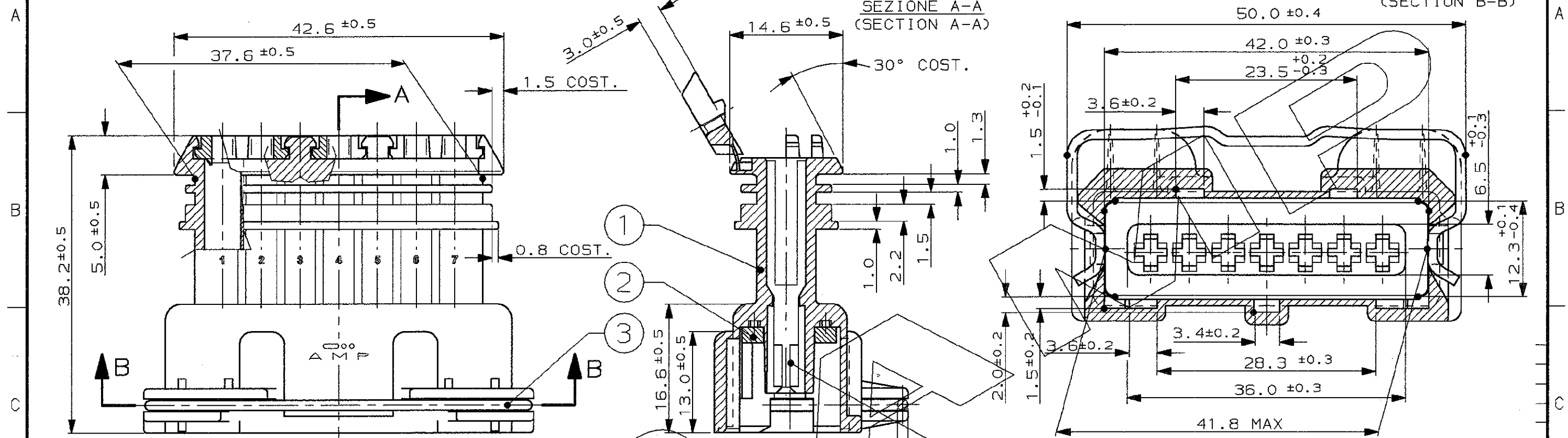
SCALA NON IMPEGNATIVA
(DO NOT SCALE)
DIMENSIONI IN mm
(DIMENSIONS IN)

METRIC

PROIEZIONE EUROPEA
(EUROPEAN PROJECTION)

SEZIONE B-B
(SECTION B-B)

SEZIONE A-A
(SECTION A-A)



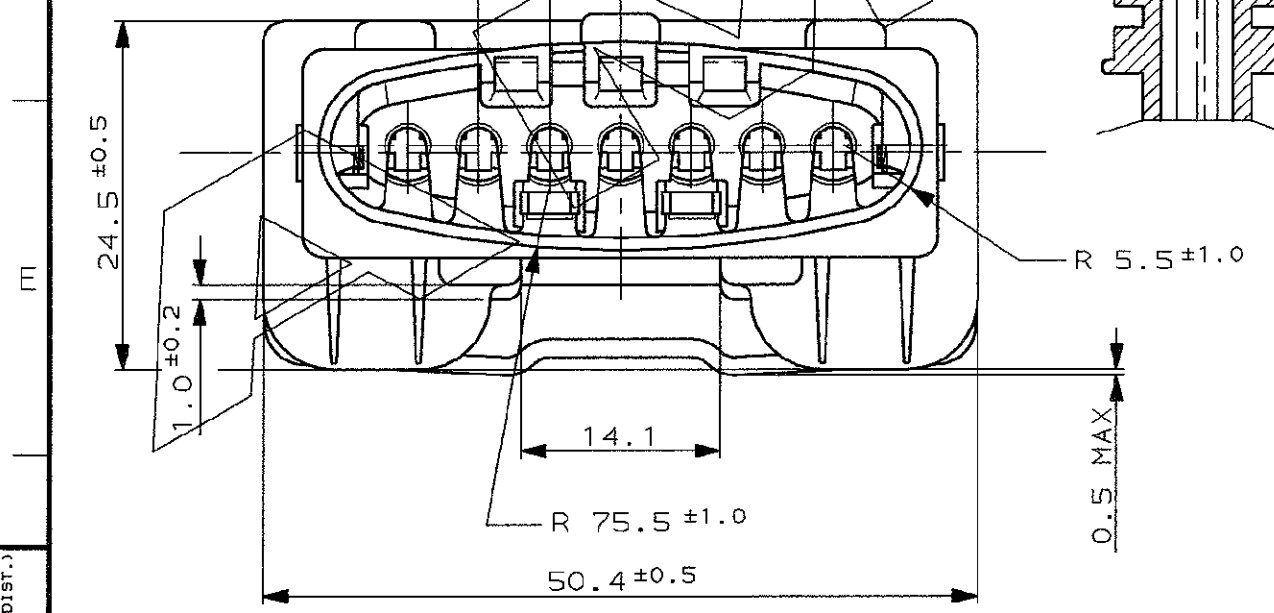
ASSE CAVITA'
(CAVITY CENTER LINE)

ASSE CONNETTORE
(CONNECTOR CENTER LINE)

TIP. CAVITA' PER TERMINALI AMP JPT P/N 929939-...
AMP P/N 828904-1, 828905-1, 282536-1.
TAPPO CAVITA' P/N 828906-2

(TYP. CAV. FOR JPT CONT. P/N 929939-... A/O 929937-... AND REL.
SINGLE WIRE SEAL P/N 828904-1, 828905-1, 282536-1
CAVITY PLUG P/N 828906-2)

PASSO 5.0 ± 0.15 TIP.
(PITCH 5.0 ± 0.15 TYP.)



ROSSO (RED)	-----				
GIALLO (YELLOW)	-----				
MARRONE (BROWN)	-----				
BLU (BLUE)	-----	3	//////	ACCIAIO INOX (STAINLESS STEEL)	MOLLA (SPRING)
VERDE (GREEN)	-----				
NATURALE (NATURAL)	-----	2	NATURALE (NATURAL)	GOMMA (RUBBER)	GUARNIZIONE (RUBBER GASKET)
GRIGIO (GREY)	282194-2				
NERO (BLACK)	282194-1	1	//////	PA 6.6 C.VETRO (PA 6.6 G.F.)	BLOCCHETTO (HOUSING)
COLORE COLOR	NUMERO PART. N°	N° (ITEM)	FINITURA / COLORE (FINISH / COLOUR)	MATERIALE (MATERIAL)	DESCRIZIONE (DESCRIPTION)

L		AGGIOR. CON ET00-0221-96 REVISED FOR ET00-0221-96	A.F.	27-5 96	CUSTOMER DWG. FOR REFERENCE ONLY		DISEGNO PER CLIENTE SOLO PER RIFERIMENTO	
H		AGGIOR. CON ET00-0108-95 REVISED FOR ET00-0108-95	M.P.	11-5 95	THIS DRAWING IS UNPUBLISHED		RELEASE FOR PUBLICATION	
G		AGG. FOGLIO 2 (ADDED SH.2)	R.M.	3-8 92	© COPYRIGHT 1996 BY AMP INCORPORATED, HARRISBURG, PA. ALL INTERNATIONAL RIGHTS RESERVED. AMP PRODUCTS MAY BE COVERED BY U.S. AND FOREIGN PATENT AND/OR PATENT PENDING		TOLLERANZE: SE NON DIVERSAMENTE SPECIFICATO (TOLERANCES, UNLESS OTHERWISE SPECIFIED)	
F		IN PRODUZIONE (IN PRODUCTION)	R.M.	13-10 92	DIA. ISOLANTE (INS. DIA. RANGE) 1.5-3.0 (REDUCED INS. CABLE)		RANGO FILO (WIRE RANGE) 0.5-2.5 mm ² ***	
E		AGGIORNATO (REVISED)	R.M.	26-5 92	± 0.3		ANGOLI (ANGLES) ± 2°	
D		AGGIORNATO (REVISED)	R.M.	17-3 92	DIS. NOV. 9. '90 (DR.)		DESCRIZIONE (DESCRIPTION) 7 W. SPLASH PROOF CONN. ASS'Y with SECONDARY LOCK	
C		AGGIORNATO (REVISED)	R.M.	2-3 92	Ennio CIN... C. TARTARI		LOC. SIZE NUMERO (DWG NO) I A3 C-282194	
B		AGGIORNATO (REVISED)	R.M.	4-9 91	CONT. 13 OCT 92 (CHK)		REV. FOGLIO (SHEET) L 1	
A		WAS P/N C-90-51265-70	C.E.	2.91	APP. DATA (APP. DATE)		DIS. DATA (DR. DATE)	
REV.		REVISIONI (REVISION RECORD)	DIS. DATA (DR. DATE)		APP. DATA (APP. DATE)		DIS. DATA (DR. DATE)	

DISTRIBUZIONE
(PRINT DIST.)

