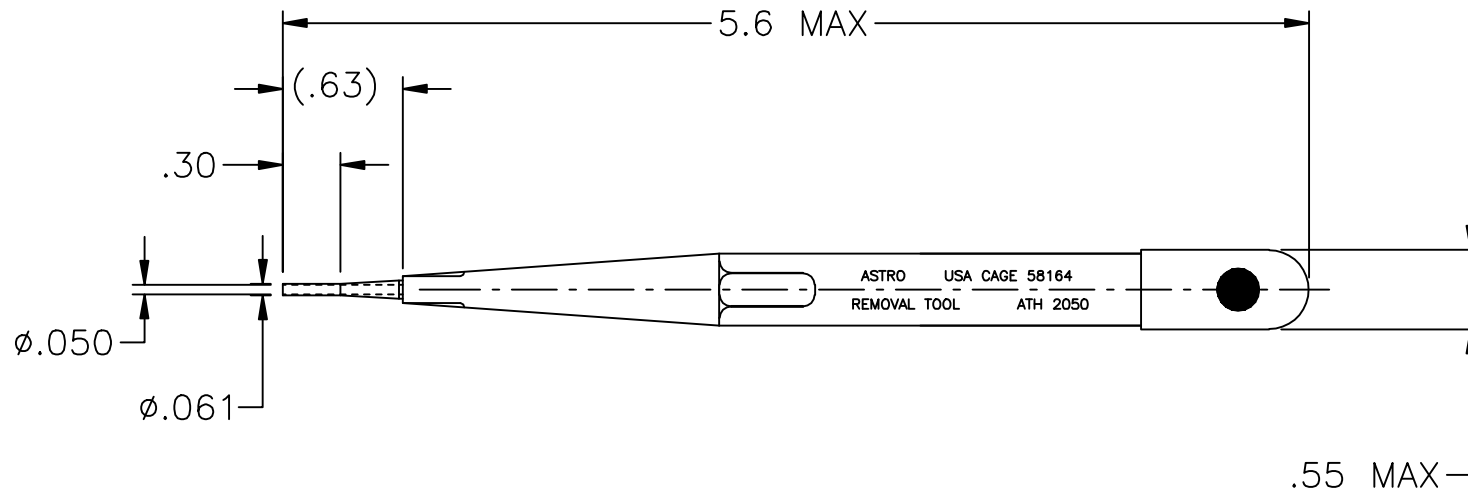


ATH 2050-ENV



**UNCONTROLLED DOCUMENT
WILL NOT BE UPDATED**

2. COLOR CODE: BLACK AND WHITE.

NOTES: 1. THIS IS AN AUTOCAD DRAWING, DO NOT CHANGE MANUALLY.

				<p>THESE DRAWINGS, SPECIFICATIONS OR OTHER DATA ARE AND REMAIN, THE PROPERTY OF ASTRO TOOL CORP. AND MUST BE RETURNED UPON REQUEST. THEY CONTAIN INFORMATION OWNED AND/OR DEVELOPED BY ASTRO AT ITS OWN PRIVATE EXPENSE AND MAY NOT BE USED, DUPLICATED OR DISCLOSED TO OTHERS, IN WHOLE OR IN PART FOR DESIGN, MANUFACTURE OR PROCUREMENT WITHOUT THE WRITTEN PERMISSION OF ASTRO TOOL CORP. EACH AND EVERY TIME.</p>		<p>SCALE: N.T.S.</p>		<p>UNLESS OTHERWISE SPECIFIED: DECIMALS: .XXX ± .005 .XX ± .010 .X ± .030</p>		<p>CAGE 58164</p>	
A NEW RELEASE.				DYO		10-26-09		MMK		<p>ASTRO TOOL CORP. 21615 S.W. TUALATIN VALLEY HWY., BEAVERTON OR 97006</p>	
DESCRIPTION: ENVELOPE DRAWING: ATH 2050 TWZ, REM, STRAIGHT 22D GA				APPROVED:		DATE: 10-26-09		DWN BY: DYO		PART NO. A ATH 2050-ENV	
REV.	DESCRIPTION	BY	DATE	APR.			<p>ANGLES: ± 1°</p>				