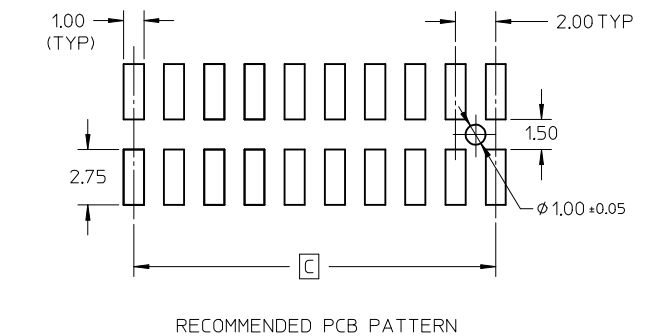
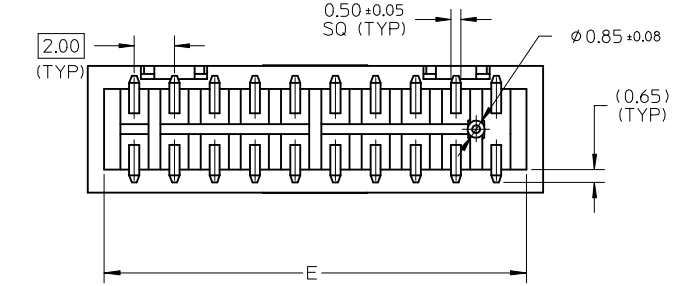
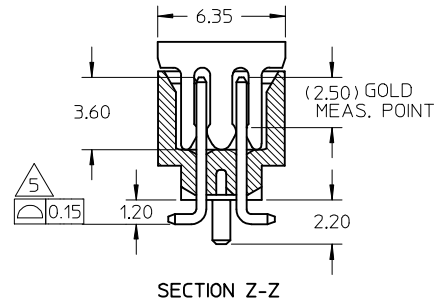
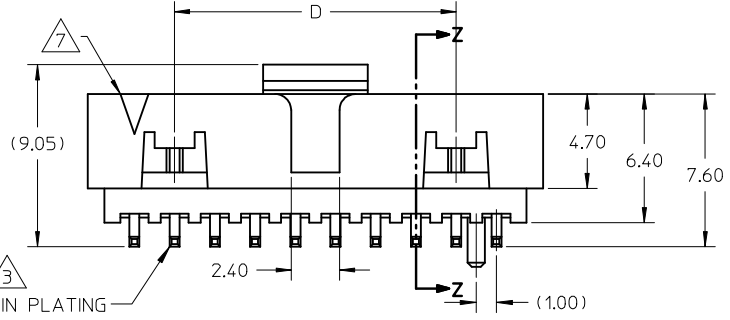
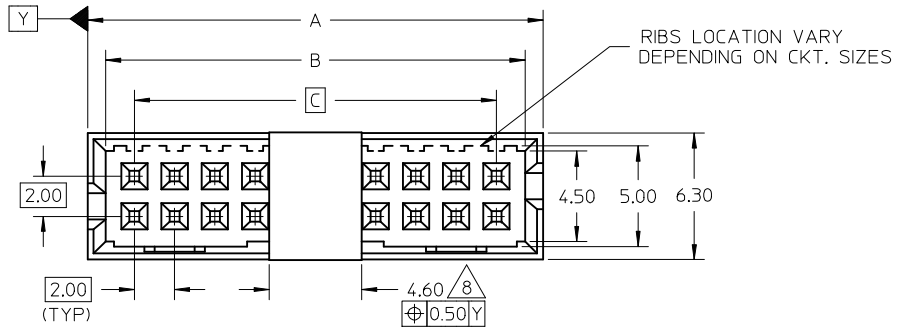


CKT SIZE	A	B	C	D	E
8	10.65	8.85	6.00	-----	9.00
12	14.65	12.85	10.00	-----	13.00
22	24.65	22.85	20.00	16.00	23.00



- NOTES:
- FOR ILLUSTRATION PURPOSES, 20 CIRCUIT SIZE WAFER IS SHOWN.
 - MATERIAL :
HOUSING & CAP : 30% G.F., NYLON 46, UL94V-0, COLOR BLACK.
PIN : 0.50MM SQ.PHOSPHOR BRONZE.
 - PLATING : 0.38um/15uin GOLD IN CONTACT AREA AND 1.88um/75uin MIN.TIN IN SOLDER TAIL AREA OVER 1.27um/50uin MIN.NICKEL OVERALL.
 - PRODUCT SPECIFICATION PS-87831-027 APPLIES.
 - COPLANARITY IS TO BE MEASURED BY RESTING THE SOLDER TAIL ON A GAUGE SURFACE.
 - NO SIDE LOCKING SLOT FROM 4 TO 12 CKT SIZE.
 - CKT 4 & 6 HAS NO IDENTIFICATION TAG.
 - POSITION OF CAP TO BE LOCATED AT CENTER OF DIMENSION 'A' REGARDLESS OF CIRCUIT SIZE.
 - TOP SURFACE OF CAP TO BE FLAT FOR THE PURPOSE OF PICK-&-PLACE BY VACUUM SUCTION NOZZLE.
 - THIS HEADER MATES WITH MOLEX:
 - CRIMP RECEPTACLE HOUSING, 51110 SERIES WITH CRIMP TERMINAL, 50394 SERIES.
 - 2MM MILLIGRID DUAL ROW IDT, 87568 SERIES.
 - NO CENTRE POLARIZATION SLOT FOR CKT SIZE 4 AND 6.
 - PARTS SHALL BE PACKED IN MOISTURE BARRIER BAG.
 - PACKAGING SPECIFICATION:

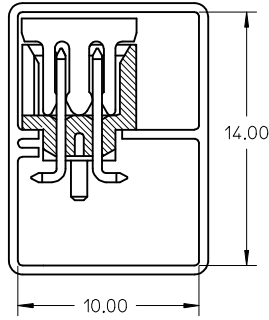
TAPE AND REEL PACKAGING	PK-87832-300
TUBE STANDARD PACKAGING	PK-87831-001
TUBE NON-STANDARD PACKAGING FOR: 87832-2250	PK-87831-002

ADD NOTE 13 EC NO: S2017-0022 DRW:GEMENARLY 2016/06/29 CHKD:SCHEONG 2016/07/27 APPR:KHL JM 2016/07/28	QUALITY SYMBOLS $F_A=0$ $F_G=0$ $F_P=0$	GENERAL TOLERANCES (UNLESS SPECIFIED)		DIMENSION STYLE MM ONLY		SCALE NTS	DESIGN UNITS METRIC	THIRD ANGLE PROJECTION	
			mm	INCH	DRAWN BY	DATE	TITLE		
		4 PLACES	± ---	± ---	SKANG	2009/05/06	MGRID, SHROUDED HEADER SMT, W/SINGLE PEG/CAP IN TUBE AND T&R		
		3 PLACES	± ---	± ---	CHECKED BY	DATE			
2 PLACES	± 0.20	± ---	ATSEE	2009/05/12					
1 PLACE	± ---	± ---	APPROVED BY	DATE					
0 PLACE	± ---	± ---	MLONG	2009/05/13	MATERIAL NO. SEE TABLE		DOCUMENT NO. SD-87832-036	SHEET NO. 1 OF 3	
DRAFT WHERE APPLICABLE MUST REMAIN WITHIN DIMENSIONS				SIZE A3		THIS DRAWING CONTAINS INFORMATION THAT IS PROPRIETARY TO MOLEX INCORPORATED AND SHOULD NOT BE USED WITHOUT WRITTEN PERMISSION			

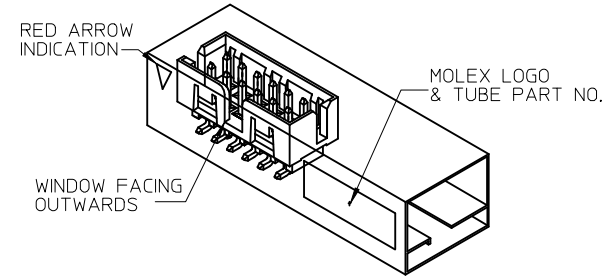
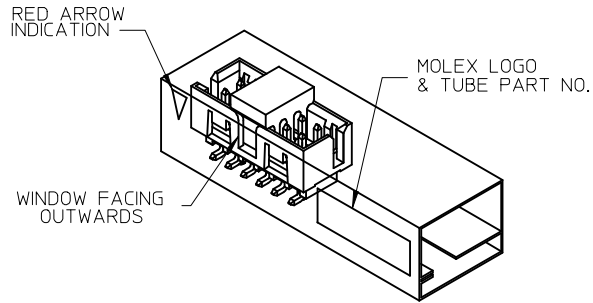
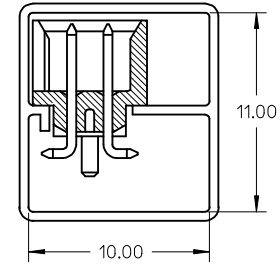
10 9 8 7 6 5 4 3 2 1

TUBE PACKAGING

WITH CAP IN TUBE



WITHOUT CAP IN TUBE

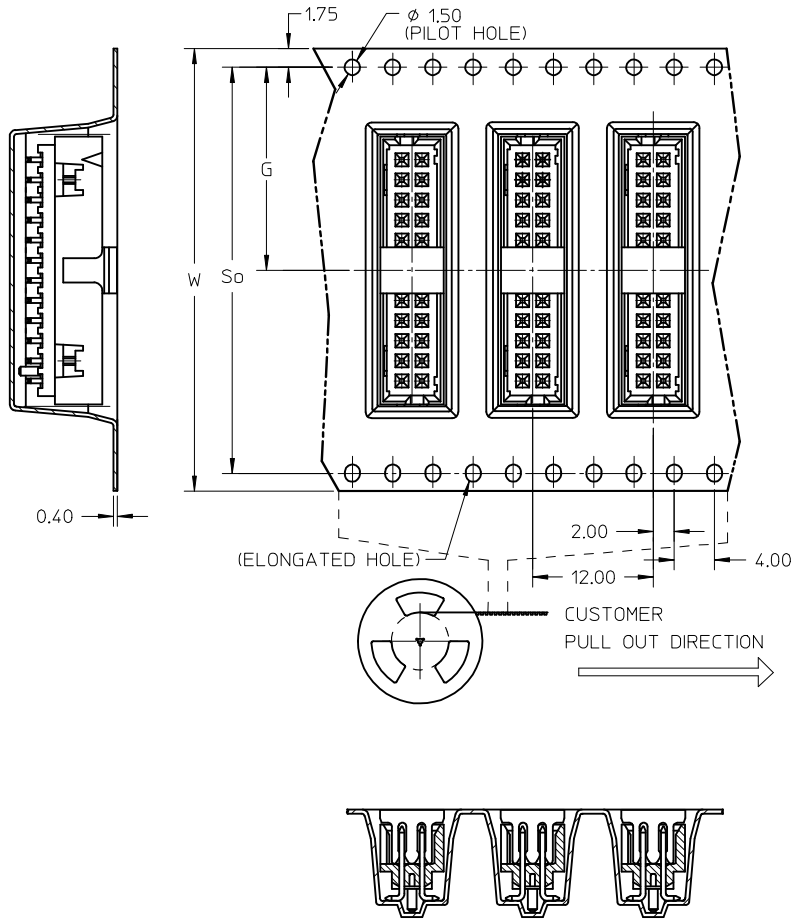


REF : ORIENTATION OF PART IN TUBE
(FOR THE REFERENCE OF PART/TUBE ASSEMBLY)

SEE SHEET 1 EC NO: S2017-0022 DRW: MEMARLY 2016/06/29 CHKD: SCHEONG 2016/07/27 APPR: KHLIM 2016/07/28	DESCRIPTION	QUALITY SYMBOLS	GENERAL TOLERANCES (UNLESS SPECIFIED)		DIMENSION STYLE MM ONLY		SCALE NTS	DESIGN UNITS METRIC	THIRD ANGLE PROJECTION	
		$F_{\Delta} = 0$	mm	INCH	DRAWN BY	DATE	TITLE MGRID, SHROUDED HEADER SMT, W/SINGLE PEG/CAP IN TUBE AND T&R			
		$F_{\square} = 0$	4 PLACES ± ---	± ---	SKANG	2009/05/06				
		$F_{\circ} = 0$	3 PLACES ± ---	± ---	CHECKED BY	DATE				
		2 PLACES ± 0.20	± ---	ATSEE	2009/05/12	molex				
		1 PLACE ± ---	± ---	APPROVED BY	DATE					
		0 PLACE ± ---	± ---	MLONG	2009/05/13	MATERIAL NO.	DOCUMENT NO.	SHEET NO.		
			ANGULAR ± 3 °		SEE TABLE		SD-87832-036		2 OF 3	
			DRAFT WHERE APPLICABLE MUST REMAIN WITHIN DIMENSIONS		THIS DRAWING CONTAINS INFORMATION THAT IS PROPRIETARY TO MOLEX INCORPORATED AND SHOULD NOT BE USED WITHOUT WRITTEN PERMISSION					

9 8 7 6 5 4 3 2 1

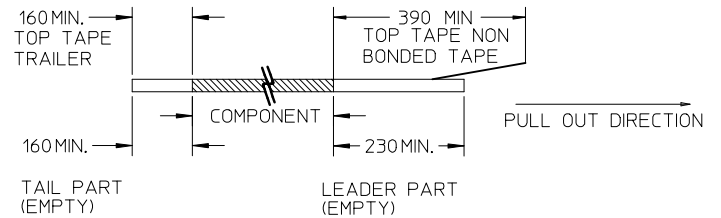
EMBOSSED CARRIER TAPE LAYOUT
24 CKT USE FOR ILLUSTRATION ONLY



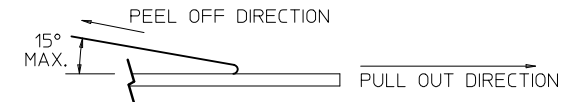
P/N W/O CAP IN TUBE	P/N W/CAP IN TUBE	P/N W/CAP IN TAPE & REEL	CKT SIZE	DIMENSION		
				W	G	So
87832-0850	87832-0852	87832-5352	8	24.00	11.50	-----
87832-1250	87832-1252	87832-5552	12	32.00	14.20	28.40
87832-2250	87832-2252	87832-6052	22	44.00	20.20	40.40

NOTES:

1. LEADER AND TRAILER TAPE



2. PEELING OFF FORCE OF THE TOP TAPE: 20-80gf.
(PEELING DIRECTION AS SHOWN IN FOLLOWING FIGURE)



3. PACKAGING STANDARD IS AS PER EIA-481.

SEE SHEET 1 EC NO: S2017-0022 DRAWING: MENARLY 2016/06/29 CHK'D: SCHEONG 2016/07/21 APPR: KHLIM 2016/07/28	QUALITY SYMBOLS	GENERAL TOLERANCES (UNLESS SPECIFIED)		DIMENSION STYLE MM ONLY		SCALE NTS	DESIGN UNITS METRIC	THIRD ANGLE PROJECTION
	$F_A=0$	mm	INCH	DRAWN BY SKANG	DATE 2009/05/06	TITLE MGRID, SHROUDED HEADER SMT, W/SINGLE PEG/CAP IN TUBE AND T&R		
	$F_B=0$	4 PLACES ± --- ± ---	3 PLACES ± --- ± ---	CHECKED BY ATSEE	DATE 2009/05/12	molex DOCUMENT NO. SD-87832-036 SHEET NO. 3 OF 3		
	$F_C=0$	2 PLACES ± 0.20 ± ---	1 PLACE ± --- ± ---	APPROVED BY MLONG	DATE 2009/05/13			
REV	DESCRIPTION	ANGULAR ± 3 °		MATERIAL NO.		THIS DRAWING CONTAINS INFORMATION THAT IS PROPRIETARY TO MOLEX INCORPORATED AND SHOULD NOT BE USED WITHOUT WRITTEN PERMISSION		
A3	DRAFT WHERE APPLICABLE MUST REMAIN WITHIN DIMENSIONS	SEE TABLE		SIZE A3				