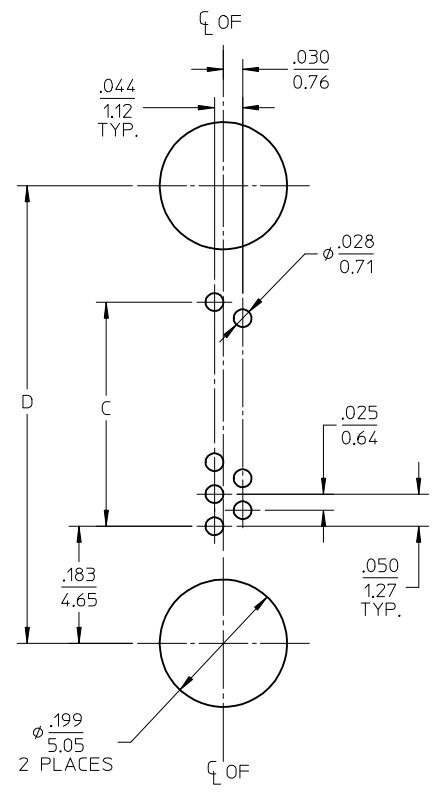
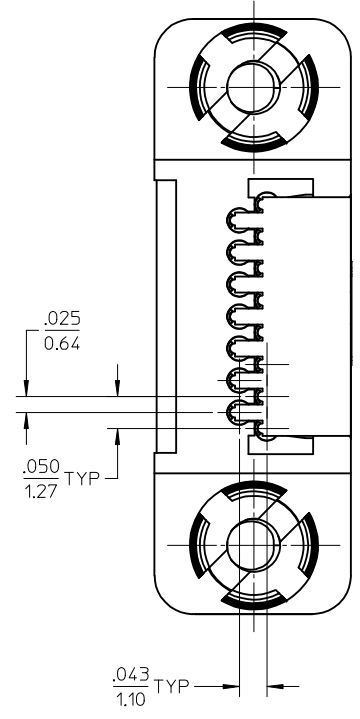
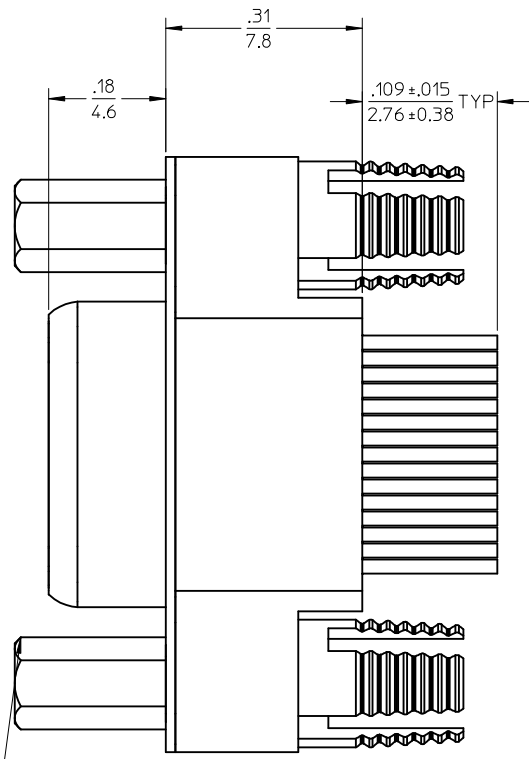
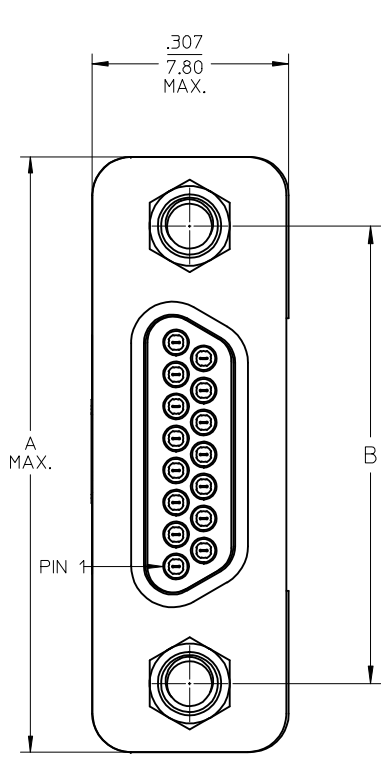


10	9	8	7	6	5	4	3	2	1
PART NUMBER	SIZE	A MAX.	B NOM.	C REF.	D NOM.				
836129024	15	.935	.715	.350	.715				



2-56 JACKPOST
2 PLACES

RECOMMENDED
P.C.B. LAY-OUT
.060/152 PANEL THICKNESS

2. RoHS COMPLIANT
1. REFER TO PS-83421-9000 FOR PRODUCT SPECIFICATION.
NOTES: UNLESS OTHERWISE SPECIFIED.

UPDATED JACKPOSTS	2014/08/11
EC NO: IFG2014-1899	
DRWN: BARDEN	
CHKD:	
APPR: BWOODMAN	
REV	DESCRIPTION

QUALITY SYMBOLS	▽=0
	∇=0

GENERAL TOLERANCES (UNLESS SPECIFIED)	mm	INCH
	4 PLACES ± .005	± .005
	3 PLACES ± .010	± .010
	2 PLACES ± 0.13	± .010
	1 PLACE ± 0.25	± .010
	ANGULAR ± 2 °	
DRAFT WHERE APPLICABLE MUST REMAIN WITHIN DIMENSIONS		

DIMENSION STYLE IN/MM	
DRAWN BY D. URBACH	DATE 23OCT00
CHECKED BY D. URBACH	DATE 23OCT00
APPROVED BY D. URBACH	DATE 23OCT00
MATERIAL NO. SEE CHART	
SIZE A3	

SCALE 5:1	DESIGN UNITS INCH	THIRD ANGLE PROJECTION
TITLE CONN, COMM-D, PLUG, VERT JACKPOST, SIZE 15		
MOLEX INCORPORATED		
DOCUMENT NO. SD-83612-9024	SHEET NO. 1 OF 1	
THIS DRAWING CONTAINS INFORMATION THAT IS PROPRIETARY TO MOLEX INCORPORATED AND SHOULD NOT BE USED WITHOUT WRITTEN PERMISSION		