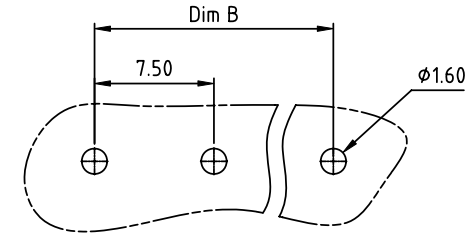
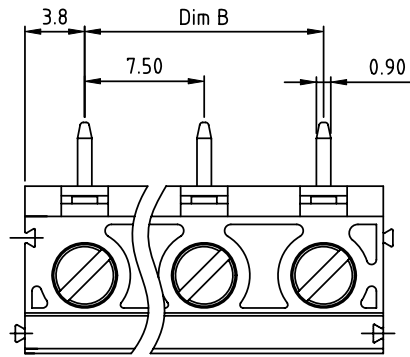
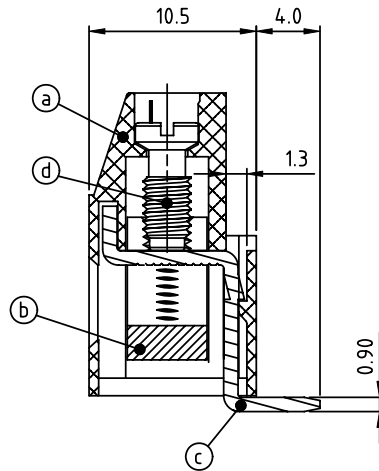
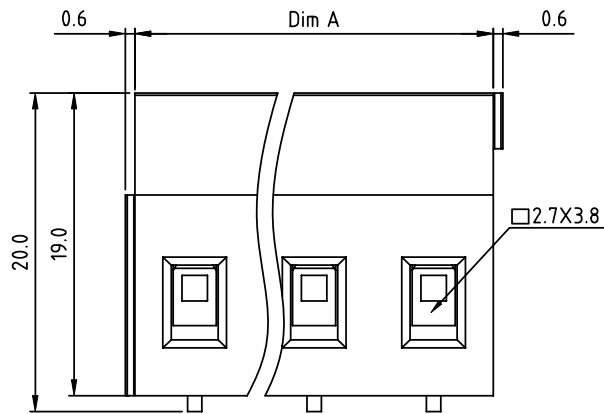


PRODUCT NUMBER	PITCH
VJxx41x300J0G	7.50mm



RECOMMENDED P.C.B LAYOUT
TOP VIEW



Material:

- ItemⒶ Terminal housing: Thermoplastic (UL 94V-0)
- ItemⒷ Clamp: Brass Ni plated
- ItemⒸ Solder pin: Brass Tin plated
- ItemⒹ Terminal screw: Steel Zinc plating"- "slot type

Electrical cULus / VDE

- Voltage rating : 300VAC / 750V
- Current rating : 20A / 24A
- Wire range : 0.2-2.5mm²
- Solid wire(AWG) : 12-30
- Stranded wire(AWG) : 12-30
- Torque : 3.5 Lb-In / 0.5 N.m
- Screw: M3
- Wire strip length: 6-7mm
- Withstanding Voltage: 1.6KV / 3KV
- Operating temperature: -40°C to +115°C
- Soldering temperature: 260°C±5°C/5 Sec
- Safety Approval:

PART NO.: VJ xx 4 1 x 3 00J0 G

Dimension A&B

DIM A	N×7.5
DIM B	(N-1)×7.5

N=Number of poles

Poles	Tolerance
4p-8p	±0.20
9p-12p	±0.30
13p-16p	±0.40

- | | | | |
|--------------|---|-------------------|-----------------|
| Solid block | 0 | Black (RAL9005) | RoHS compliant |
| No. of poles | 2 | Red (RAL3001/D) | (lead<4%) |
| 04 4 poles | 3 | Orange(RAL2011/P) | In copper Alloy |
| 05 5 poles | 4 | Yellow(RAL1018/A) | |
| | 5 | Green(RAL6018/T) | |
| 16 16 poles | 6 | Blue (RAL5015/A) | |
| | 8 | Grey(RAL7035/D) | |
| | 9 | White(RAL1102) | |
| | C | Green(RAL6018/U) | |

mat'l. code		surface ASME Y14.5	tolerance ASME Y14.5	projection	product family
ltr ecn no dr date		tolerances unless otherwise specified			TERMINAL BLOCK
		angles	X.±0.5	MM	title
		X*±1*	X.X±0.3	scale	TERMINAL BLOCK
		dr	EVIN ZHONG 040914		RISING CLAMP,90D WIRE INLET,SOLID BLOCK
		enrg	EVIN ZHONG 040914		dwg no
		chr	HANKE FENG 040914		VJxx41x300J0G
		appd	SHI JUN 040914		sheet 1 of 1 size
					A4
sheet index		revision	A	type	
sheet		1	CUSTOMER Drawing		