

| LOC | DIST | REV | DESCRIPTION | DATE | DMN | APVD |
|-----|------|-----|----------------------------|-----------|-----|------|
| B | | | RELEASED PER ECO-13-004502 | 12MAR2013 | KM | DH |
| C | | | REVISED PER ECO-13-008265 | 15MAY2013 | DB | DH |

- ① HOUSING: LCP, UL94V0. COLOR: BLACK.
CONTACT: PHOSPHOR BRONZE.
POST: BRASS WIRE
- ② CONTACT: 1.27μm MIN GOLD IN PAD CONTACT AREA
1.27μm MIN TIN-LEAD ON PCB TAIL
OVER 1.27μm MIN NICKEL OVER ALL.
POST 1.27μm MIN NICKEL PLATED.
- ③ PLATED THROUGH HOLE PER 114-13056, FIGURE 4
- ④ SEE TABLE 1 FOR INTERCONNECTIONS TO BACKPLANE CONNECTOR.
- ⑤ CONTACT: 1.27μm MIN GOLD IN PAD CONTACT AREA,
1.27μm MIN TIN ON PCB TAIL OVER 1.27μm MIN.
NICKEL OVER ALL.
POST: 1.27μm MIN NICKEL PLATED.

TABLE 1
INTERCONNECTIONS WITH BACKPLANE CONNECTOR
2102736-1 OR 2102851-1

| TYPICAL INTERCONNECTIONS FOR EACH ODD-NUMBERED COLUMN (WAFER): 1, 3, 5, 7 | | |
|---|----------------------------|-------------------------|
| CONTACT USAGE | DAUGHTERCARD CONNECTOR PIN | BACKPLANE CONNECTOR PIN |
| SIGNAL PAIR | ax | ax |
| | bx | bx |
| SIGNAL PAIR | dx | ex |
| | ex | fx |
| SIGNAL | gx | ix |
| GROUND | c x, f x (ALL COMMONED) | c x, d x, g x, h x |

| TYPICAL INTERCONNECTIONS FOR EACH EVEN-NUMBERED COLUMN (WAFER): 2, 4, 6, 8 | | |
|--|-------------------------------|-------------------------|
| CONTACT USAGE | DAUGHTERCARD CONNECTOR PIN | BACKPLANE CONNECTOR PIN |
| SIGNAL PAIR | bx | cx |
| | cx | dx |
| SIGNAL PAIR | ex | gx |
| | fx | hx |
| GROUND | ax, dx, gx, (ALL COMMONED) | ax, bx, ex, fx, ix |

| TYPICAL INTERCONNECTIONS FOR EACH COLUMN (WAFER): 9, 10, 11, 12, 13, 14, 15, 16 | | |
|---|-----------------------------|-------------------------|
| CONTACT USAGE | DAUGHTERCARD CONNECTOR PIN | BACKPLANE CONNECTOR PIN |
| SIGNAL | ax | bx |
| SIGNAL | bx | cx |
| SIGNAL | dx | ex |
| SIGNAL | fx | gx |
| SIGNAL | gx | hx |
| GROUND | c x, e x, (ALL COMMONED) | a x, d x, f x, i x |

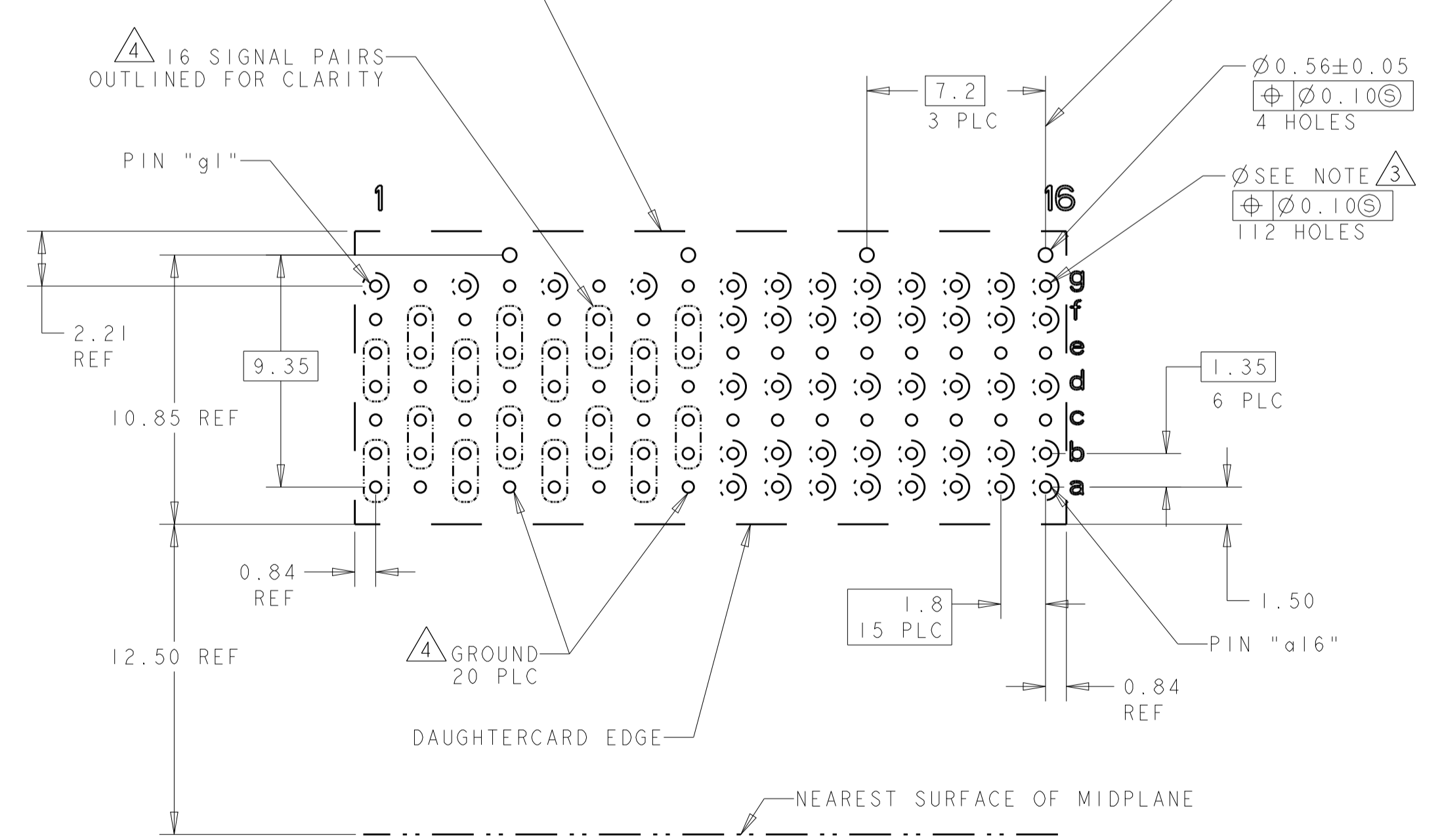
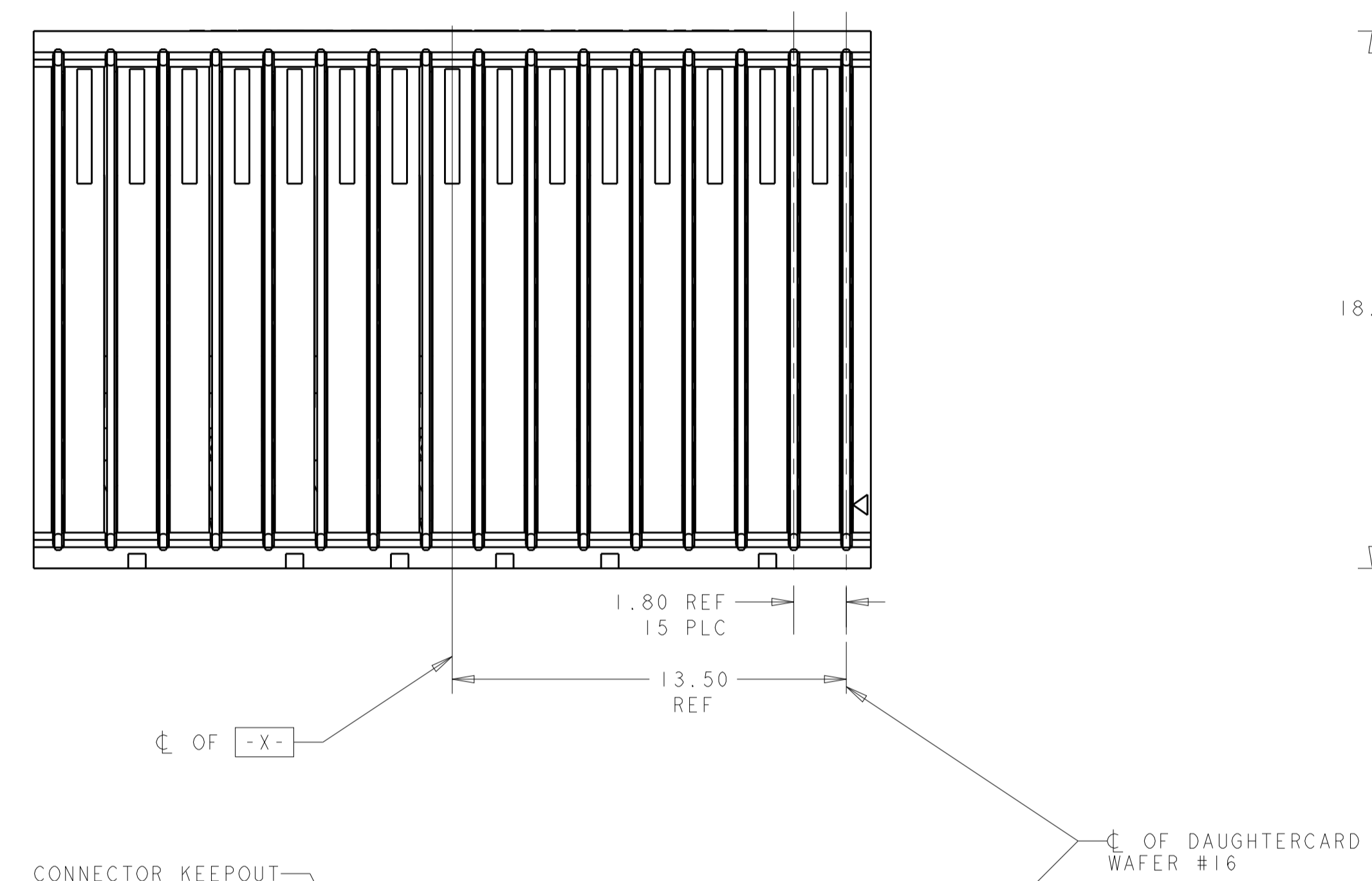
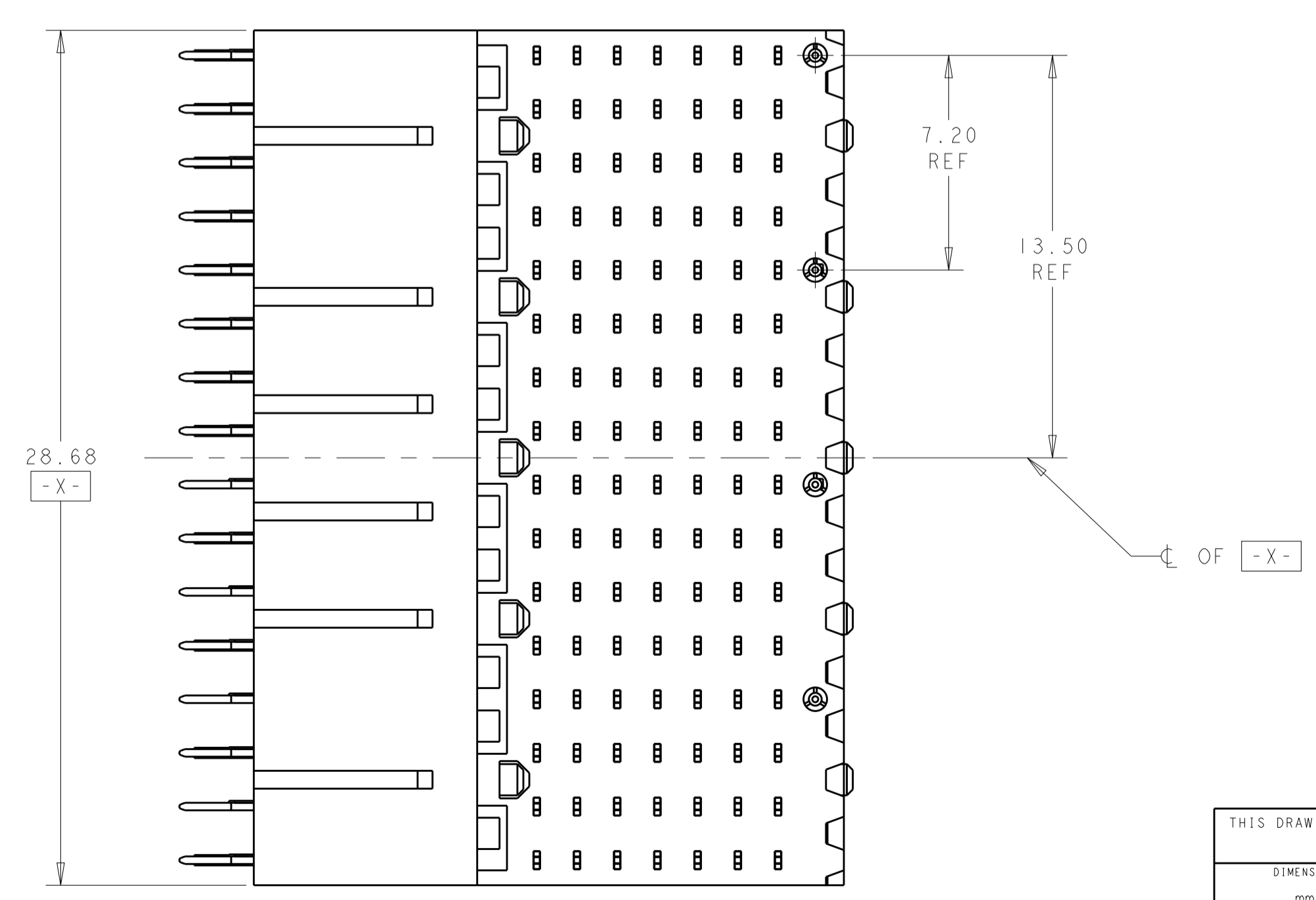
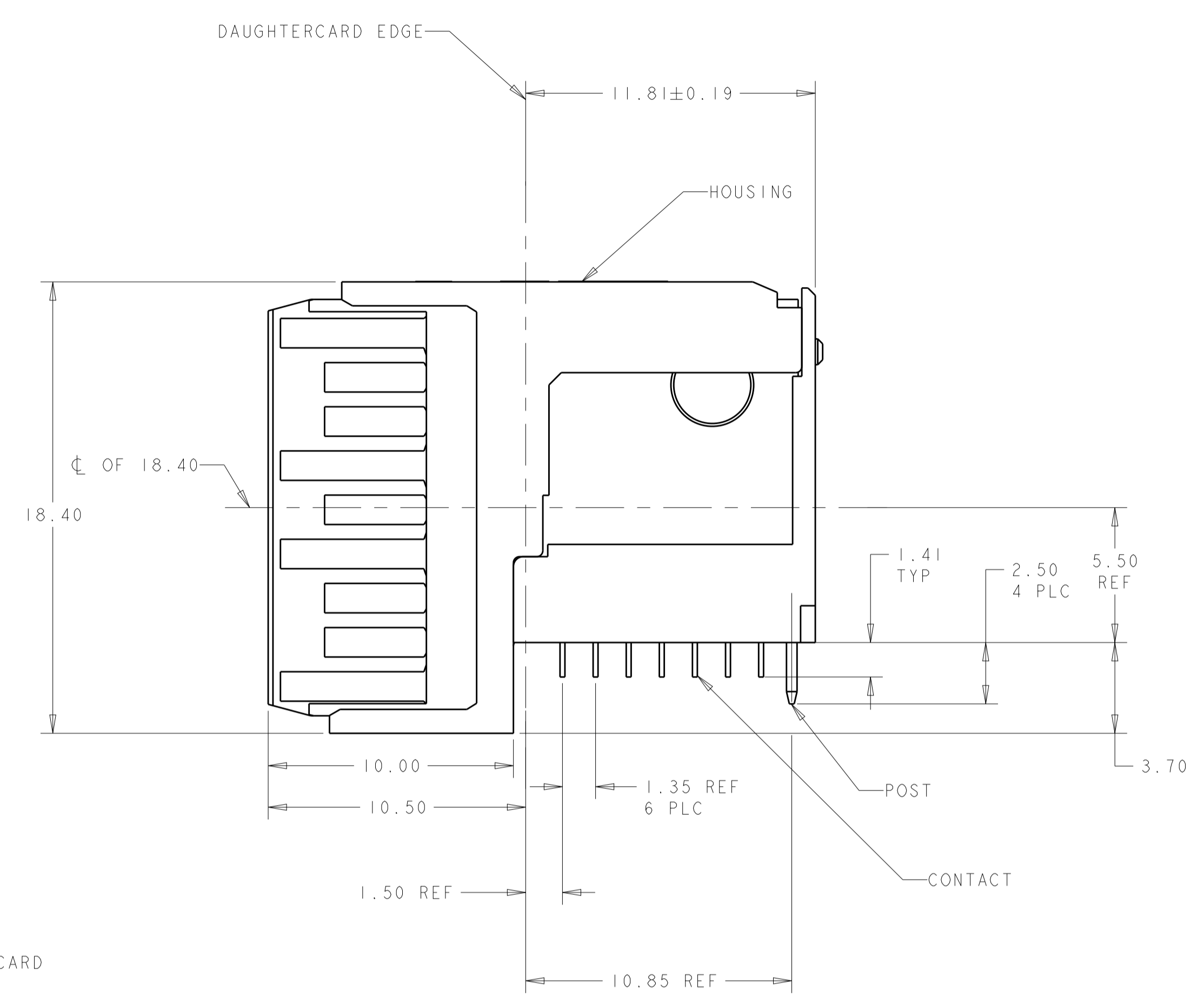
NOTE: "x" DESIGNATES THE COLUMN NUMBER

| | |
|---------|-----------|
| ⑤ | 2102849-2 |
| ④ | 2102849-1 |
| PLATING | PART NO |

THIS DRAWING IS A CONTROLLED DOCUMENT.

| | | | |
|--|----------------------------------|----------------------------------|--|
| DMN K. MILLER 29NOV2011 | CHK K. THACKSTON 12JAN2012 | APVD M. McALONIS 25SEP2012 | NAME RIGHT-ANGLE PLUG ASSEMBLY, 7 ROW, CENTER, 20.3mm, MULTIGIG RT 2-R DAUGHTERCARD CONNECTOR, DIFF.-SE |
| DIMENSIONS: mm | | | PRODUCT SPEC 108-2072 |
| TOLERANCES UNLESS OTHERWISE SPECIFIED: | | | APPLICATION SPEC |
| 0 PLC | ± | | SIZE 114-13056 |
| 1 PLC | ±0.5 | | WEIGHT 10.33g |
| 2 PLC | ±0.13 | | Customer Drawing |
| 3 PLC | ± | | SCALE 6:1 |
| 4 PLC | ± | | SHEET 1 OF 1 |
| ANGLES | ±1° | | REV C |
| MATERIAL | SEE TABLE | | |

Customer Drawing



PC BOARD REAR TRANSITION MODULE
(CONNECTOR SIDE)
SCALE 5:1