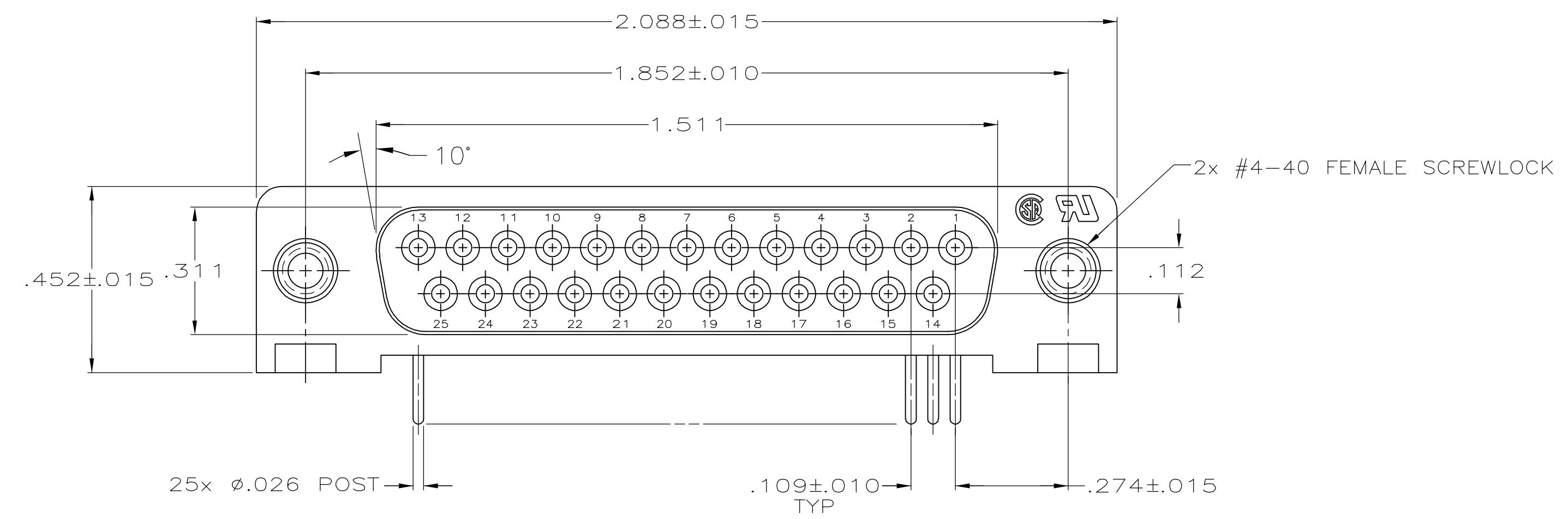
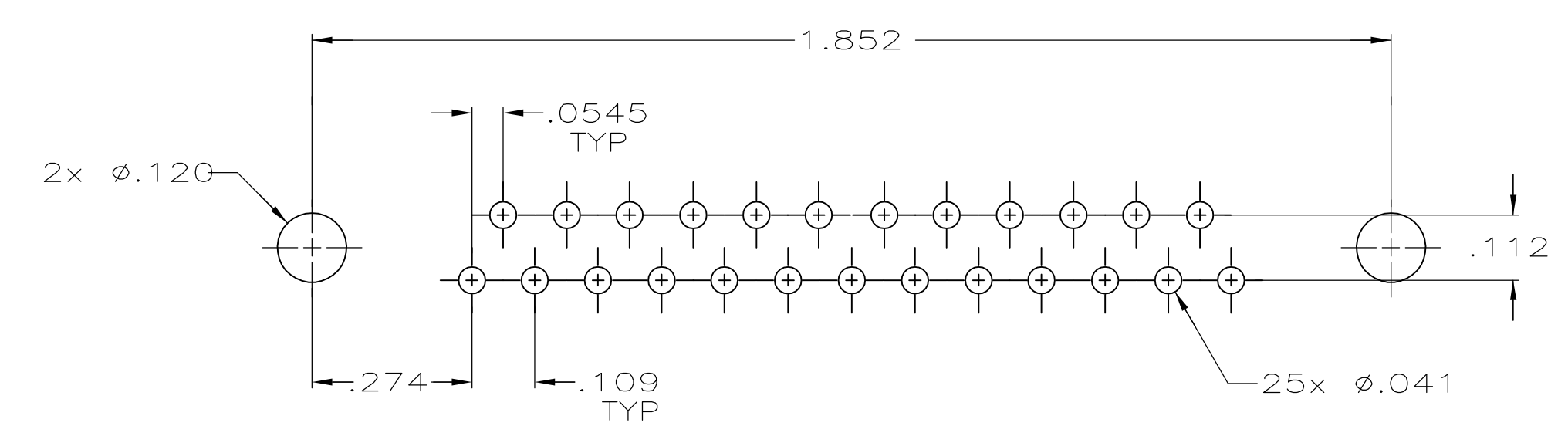
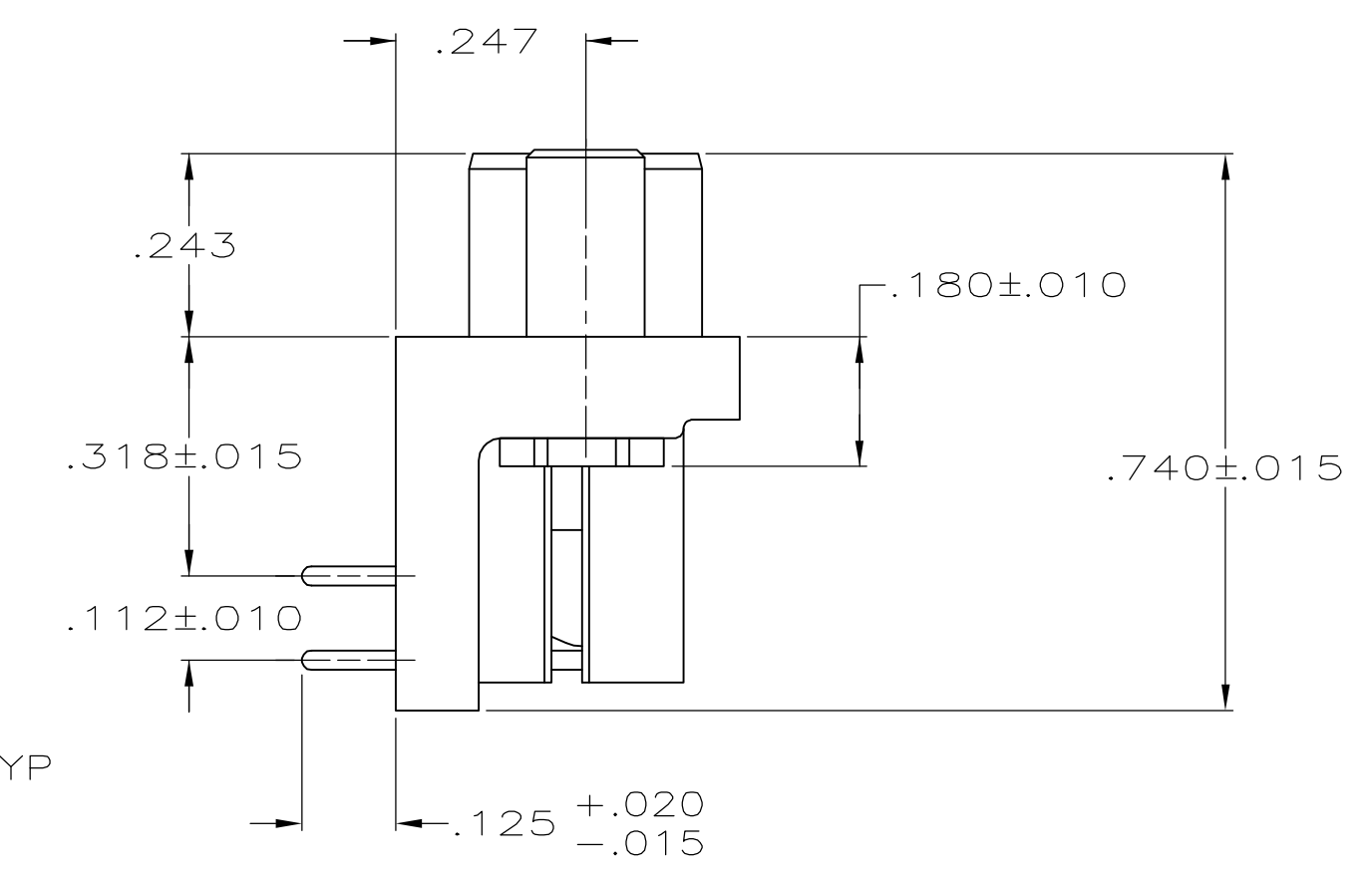
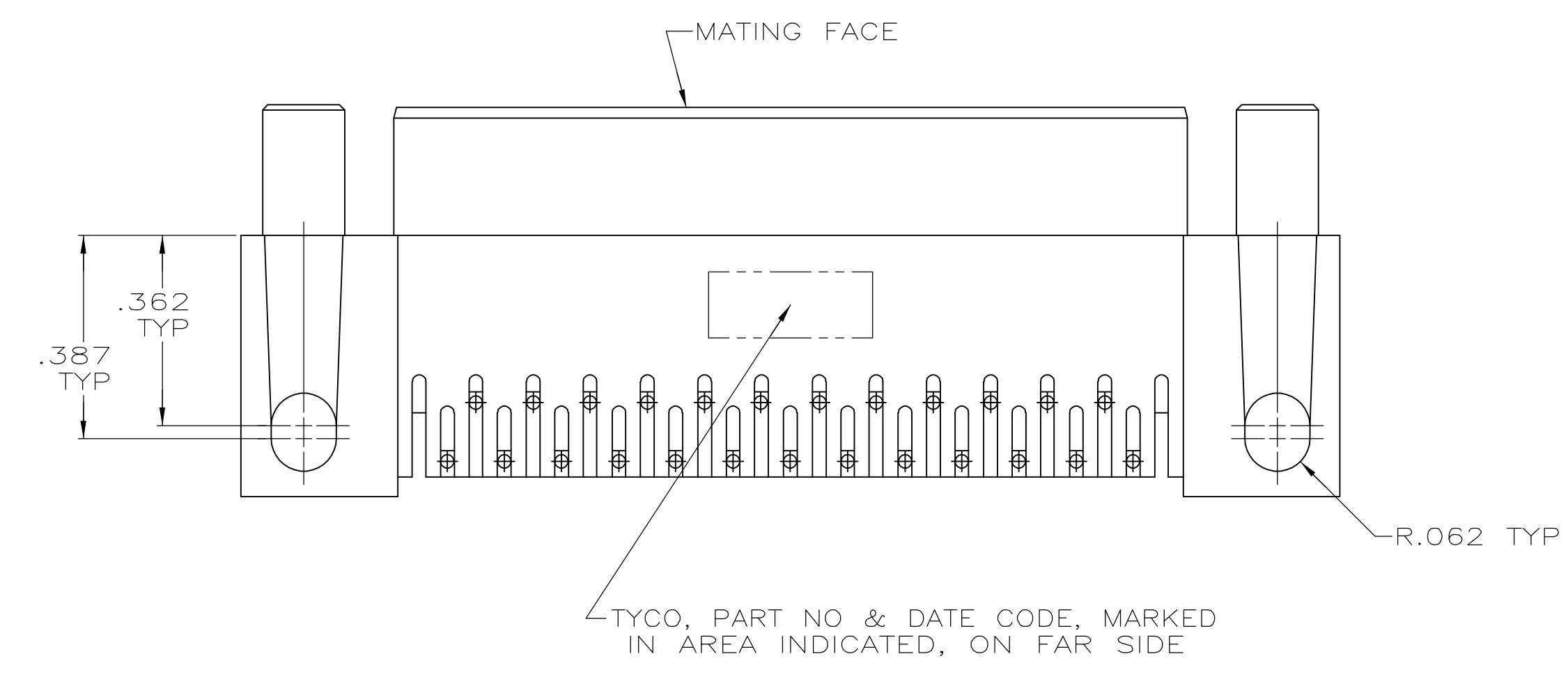


LOC		DIST		REVISIONS			
REV	DATE	DESCRIPTION	DATE	DWN	APPD		
0		RELEASED PER EC 0513-0087-05	15SEP05	GP	JG		



- 1 HOUSING: FLAME RETARDANT, 94V-0 RATED, GLASS FILLED NYLON OR POLYESTER, COLOR: BLACK.
CONTACTS: PHOS. BRONZE.
SCREWLOCKS: ZINC.
- 2 REFER TO APPLICATION SPEC FOR RECOMMENDED P.C. BOARD MOUNTING DIMENSIONS FOR AUTOMATIC INSERTION.
- 3 CONTACTS: PLATED WITH .000030 MIN GOLD FOR LENGTH OF .055 MIN FROM MATING END, .000100 MIN TIN ON SOLDER END, ALL OVER .000050 MIN NICKEL ON ENTIRE CONTACT.
SCREWLOCKS: CLEAR CHROMATE COATING.



P.C. BOARD MOUNTING DIMENSIONS Δ

**COPYRIGHT 2005
 TYCO ELECTRONICS CORP
 ALL RIGHTS RESERVED**

5745397-2
 PART NUMBER

THIS DRAWING IS A CONTROLLED DOCUMENT.		DWN G. PETERS 15SEP05	15SEP05	Tyco Electronics Corporation Harrisburg, PA 17105-3608
DIMENSIONS: INCHES		CHK S. BOLASH 15SEP05	15SEP05	
TOLERANCES UNLESS OTHERWISE SPECIFIED:		APPD M. WALMSLEY 15SEP05	15SEP05	NAME RECEPTACLE ASSY, SIZE 3, 25 POSN, RIGHT ANGLE, .318 SERIES, .026 DIA POSTS, W/ FEMALE SCREWLOCKS, AMPLIMITE HD-20
0 PLC ± - 1 PLC ± - 2 PLC ± - 3 PLC ± .005 4 PLC ± - ANGLES ± ± °		PRODUCT SPEC 108-40025	APPLICATION SPEC 114-40015	SIZE A1
MATERIAL		WEIGHT	DATE CODE 00779	DRAWING NO 5745397
FINISH		CUSTOMER DRAWING		SCALE 4:1 SHEET 1 of 1 REV 0