

## SUMMARY

### # Wires

Low	3
High	0
Coax	0
Triax	0
Quad	0
Fiber	0
Fluidic	0

Series	3B
Termination type	Female crimp
IP rating	50
Cable Ø	10.80 - 11.90 mm
Matching parts	EGJ.3B.303.CYC
Status	
Alternative part	



Image is for illustrative purpose only

### Download

[Request a quote](#)

[Catalog](#)

## TECHNICAL DETAILS

### Mechanics

Shell Style/Model	FG*: Straight plug, cable collet
Keying	2 keys (alpha=37.5, plug: female contacts, receptacle: male contacts)
Housing Material	Brass (chrome plated) shell and collet nut, nickel plated brass latch sleeve and mid pieces
Cable Fixing	D12: 10.8 - 11.9 mm
Variant	

### Performance

Configuration	3B.303 : 3 Low Voltage
Insulator	Y: PEEK for crimp contacts
Rated Current	25 Amps

### Specifications

Contact Type: Crimp
Max. Matings: 5000
Contact Retention: 65 N
Contact Dia.: 2 mm (0.079in)
Bucket Dia.: 2.4 mm (0.094in)
Min. Conductor: 1.5 mm <sup>2</sup> (AWG 16)

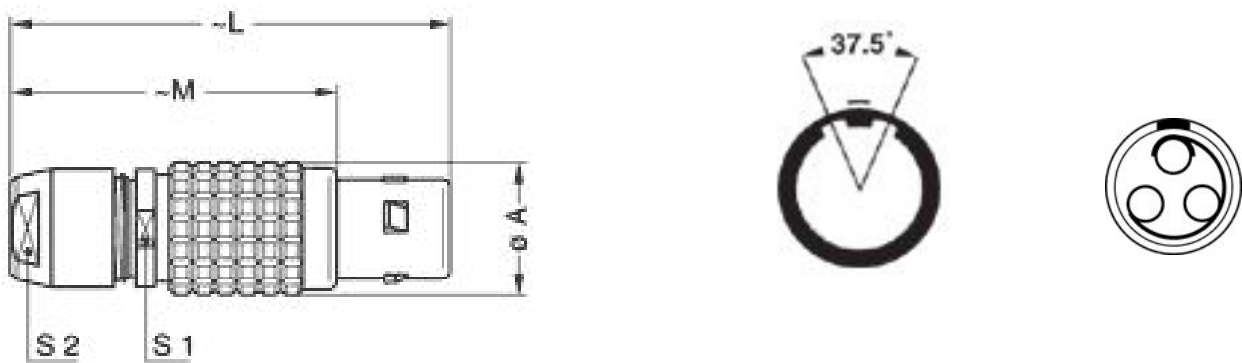
Max. Conductor: 2.5 mm<sup>2</sup> (AWG 12)  
 R (max): 3.3 mOhm  
 Vtest (contact-shell): 2650 V (AC), 3750 V (DC)  
 Vtest (contact-contact): 3200 V (AC), 4530 V (DC)

## Others

Temp (min / max): -55° C / +250° C  
 Humidity (max): <=95% [at 60 deg C / 140 F]  
 Vibration: 15 g [10 Hz - 2000 Hz]  
 Shock Resistance: 100 g [ 6 ms]  
 Salt Spray Corrosion: >1000 hr  
 Climatical Category: 50/175/21  
 Shielding (min): 75 dB (10 MHz)  
 Shielding (min): 40 dB (1 GHz)  
 IP Rating: 50

## DRAWINGS

### Draws



### Dimensions

	A	L	M	S1	S2
mm.	18	58	43	15	14
in.	0,71	2,28	1,69	0,59	0,55

## RECOMMENDED BY LEMO

### Tools

Crimp Tool: DPC.91.101.A  
 Crimp settings: AWG/Selector = 12-14-16/8-7-6

Positionner: DCE.91.203.BVCM  
Extractor: DCC.91.202.5LA  
Replacement contact: EGG.3B.675.ZZM  
Spanner wrench: DCD.3B.040.PA140

## Cables