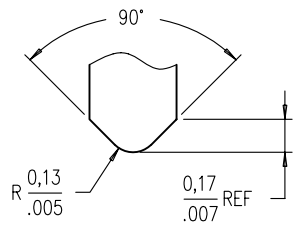
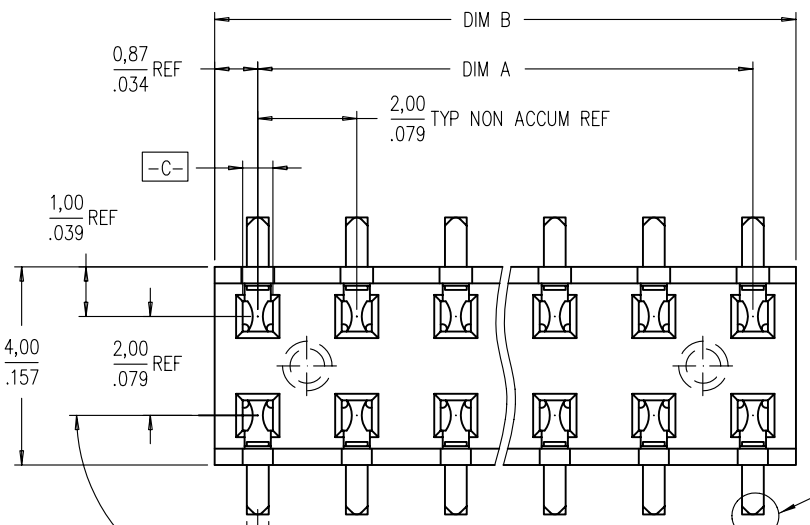


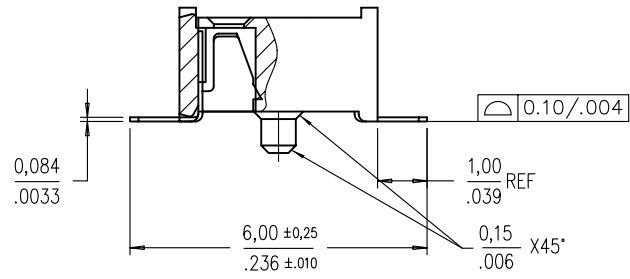
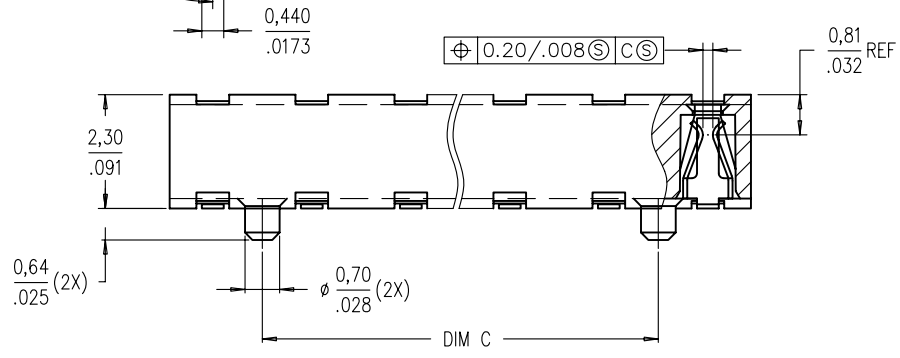
Tous droits strictement reserves. Reproduction ou communication a des tiers interdite sous quelque forme que ce soit sans autorisation ecrite du proprietaire. Propriete de c FCI. Droits de reproduction FCI.



All rights strictly reserved. Reproduction or issue to third parties in any form whatever is not permitted without written authority from the proprietor. Property of FCI. Copyright FCI.



DETAIL A  
NOTE 5



CONFIDENTIAL

mat'l. code				tolerances unless otherwise specified		CUSTOMER COPY	FCI www.fciconnect.com	
ltr	ecn no	dr	date	linear	X.X±0.3/.XX±.01		projection MM/INCH	title LPVCC SMT 2.3 TOP ENTRY ASSY, STACKABLE, WITH 0.64/.025 LOCATING FEATURES
A	S00044	JPEH	3/21/00		X.XX±0.13/.XXX±.005	scale 10:1		product family
B	S00065	JPEH	4/25/00	angles	X.XXX±0.051/.XXX±.0020		product size	LPVCC
C	S05-0103	KBM	4/8/05		ANGLES ±2°	dwg no	63473	sheet 1 of 2
				dr	JPEH	4/25/00		
				engr	JPEH	4/25/00		
				chr	KB MAH	4/8/05		
				appd	JOEY NG	4/8/05		
sheet index	revision sheet	C	C					
		1	2					

cage code  
22526

ACAD

PDM: Rev:C

STATUS: Released

Printed: Nov 27, 2010

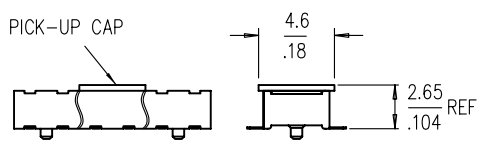
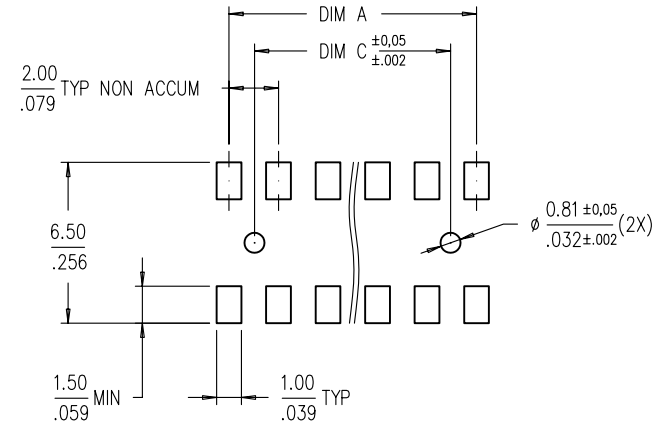


PRODUCT NO ⑥	POSITIONS	DIM. A	DIM. B	DIM. C
63473-X20	2 X 10	18,00/,709	19,74/,777	16,00/,630

CONTACT AREA PLATING OPTIONS
1 = 0,76um/30u" Au CONTACT AREA
3 = 0,38um/15u" Au CONTACT AREA

NOTES :

- 1 HOUSING MAT'L : HIGH TEMP PLASTIC.
- 2 TERMINAL MAT'L : BeCu.
- 3 TERMINAL RETENTION 0,5 Kg/1,1 Lbs.
- ④ SOLDERTAIL PLATING:
  - a) SOLDERTAIL OF P/N:63473-XXX IS TIN/LEAD PLATED.
  - b) SOLDERTAIL OF P/N:63473-XXXLF IS 100% MATTE TIN PLATED.
- 5 'V' CUT OPTIONAL - MANUFACTURING PROCESS OPTION.
- ⑥ PRODUCT DESCRIPTION CODE :  
 XXXXX-XXXLF  
 LEAD FREE ④ ⑨  
 TOTAL POSITIONS  
 CONTACT AREA PLATING  
 BASE NUMBER
- 7 PACKAGING :
  - (a) XXXXX-XXX --- STD PACKAGING IN TUBE.
  - (b) XXXXX-XXXTR --- TAPE AND REEL (CONDUCTIVE) PACKAGING WITH PICK-UP CAP (SEE FIG 1).
  - (c) XXXXX-XXXTRN --- TAPE AND REEL (CONDUCTIVE) PACKAGING WITHOUT PICK-UP CAP.
- 8 THE HOUSING WILL WITHSTAND EXPOSURE TO 255° C PEAK TEMPERATURE FOR 10 SECONDS IN A CONVECTION, INFRA-RED OR VAPOR PHASE REFLOW OVEN.
- ⑨ THIS PRODUCT MEETS EUROPEAN UNION DIRECTIVES AND OTHER COUNTRY REGULATIONS AS DESCRIBED IN GS-22-008.



CONFIDENTIAL

mat'l. code				tolerances unless otherwise specified		CUSTOMER COPY		FCI www.fciconnect.com	
ltr	ecn no	dr	date	linear	X.X±0.3/.XX±.01	projection	title LPVCC SMT 2.3 TOP ENTRY ASSY, STACKABLE, WITH 0.64/.025 LOCATING FEATURES		
c				linear	X.XX±0.13/.XXX±.005	MM/INCH	product family	LPVCC	code
				angles	X.XXX±0.051/.XXX±.0020		scale	size	dwg no
				angles	ANGLES ±2°	1:1	A	63473	2 of 2
dr	JPEH	4/25/00							
engr	JPEH	4/25/00							
chr	KB MAH	4/8/05							
appd	JOEY NG	4/8/05							
sheet index	revision sheet								

cage code 22526