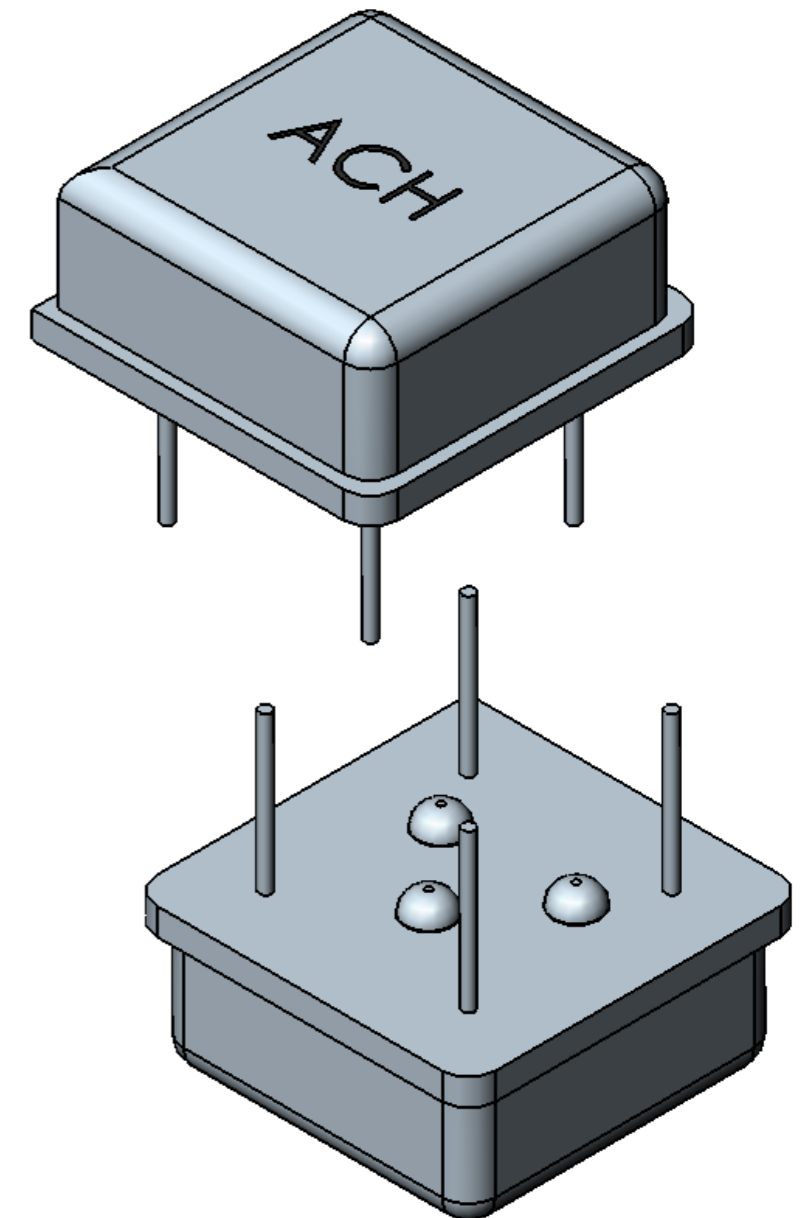



PIN	FUNCTION
1	NC or Tri-state Enable/
4	GND/Case
5	Output
8	VDD



UNLESS OTHERWISE SPECIFIED: DIMENSIONS ARE IN INCH(MM) SURFACE FINISH: TOLERANCES: LINEAR: ANGULAR:				FINISH:	DEBUR AND BREAK SHARP EDGES	DO NOT SCALE DRAWING	REVISION
NAME	SIGNATURE	DATE				 <b>ABRACON CORPORATION</b> 30332 Esperanza, Rancho Santa margarita, California 92688	
DRAWN	SAZVAT					TITLE: OSCILLATOR	
CHK'D	XXXXXX					DWG NO. ACH	
APPV'D						SCALE:5:1	
MFG						SHEET 1 OF 1	
Q.A					WEIGHT:	A3	