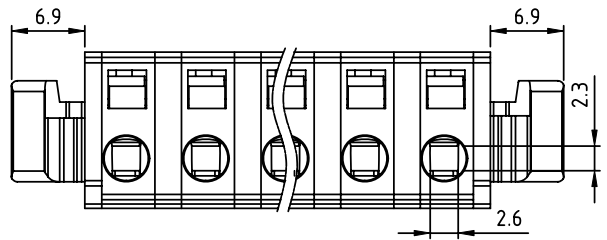
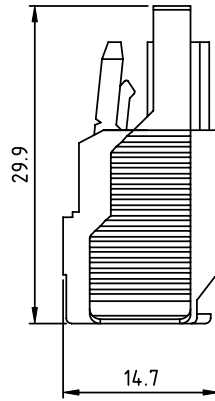
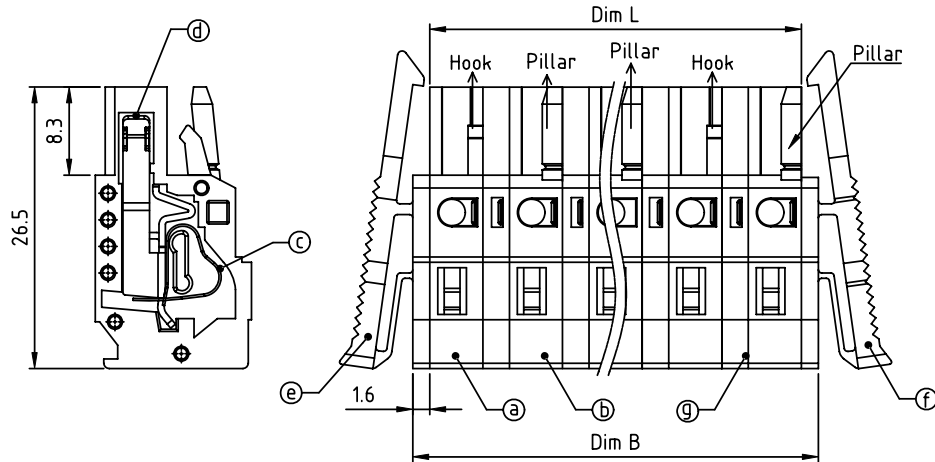
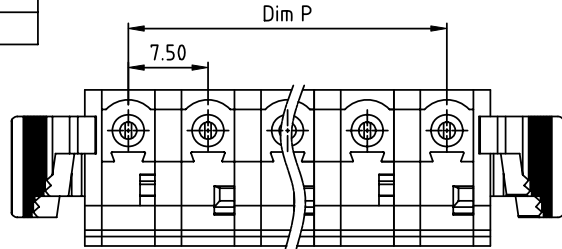


PRODUCT NUMBER	PITCH
Hlx20x300J0G	7.50 mm



- Material:
- Item③ Terminal housing (With hook): Thermoplastic (UL94V-0)
 - Item⑤ Terminal housing (With Pillar): Thermoplastic (UL94V-0)
 - Item⑥ Spring Clamp: Stainless steel
 - Item④ Female contact: PhBz.Tin plated
 - Item⑧ Left cover with latch: Thermoplastic (UL94V-0)
 - Item⑦ Right cover with latch: Thermoplastic (UL94V-0)
 - Item⑨ Pad board: Thermoplastic (UL94V-0)

- Electrical:
- Voltage rating: 300 V
 - Current rating: 15 A (mated with OQ series)
8A (mated with NC and NB series)
 - Wire range:
 - Solid wire(AWG): 12-28
 - Stranded wire(AWG): 12-28
 - Wire strip length: 8-9 mm
 - Withstanding Voltage: 1.6KV
 - Operating temperature: -40°C to +115°C
 - Safety Approval:

Layout of Hook and Pillar:

2P	Hook+Pillar
3P	Hook+Hook+Pillar
4P	Hook+Pillar+Hook+Pillar
5P	Hook+Pillar+Pillar+Hook+Pillar
5P over	Hook+Pillar+...+Pillar+Hook+Pillar

DIMENSION

Dim L=N×7.5-2.5
Dim P=(N-1)×7.5
Dim B=N×7.5+0.7

N=Number of poles

Poles	Tolerance
2P-4P	±0.15
5P-8P	±0.25
9P-12P	±0.30
13P-16P	±0.40

PART NO.: HI xx 20 x 3 00J0 G

- End stackable 0
- No. of poles 2
- 02 2 poles
- 03 3 poles
-
- 16 16 poles
- Color 0 Black (RAL9005)
- 2 Red (RAL3001/D)
- 3 Orange(RAL2011/P)
- 4 Yellow(RAL1018/A)
- 5 Green(RAL6018/T)
- 6 Blue (RAL5015/A)
- 8 Grey(RAL7035/D)
- 9 White(RAL1102)
- C Green(RAL6018/U)
- RoHS compliant (lead<4%)
In copper Alloy

mat'l. code		surface ASME Y14.5	tolerance ASME Y14.5	projection	product family TERMINAL BLOCK
ltr	ecn no	dr	date		title
				MM	TERMINAL BLOCK
				scale	SPRING CLAMP,PLUGGABLE PLUG,WITH LATCH
					dwg no Hlx20x300J0G
					sheet 1 of 1 size A4
					type CUSTOMER Drawing
sheet index	revision sheet	A	1		