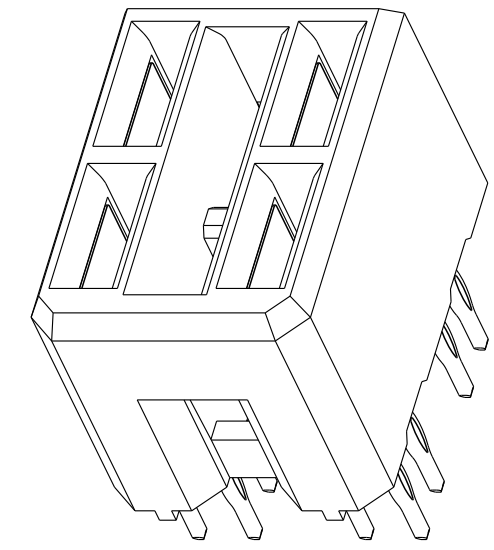
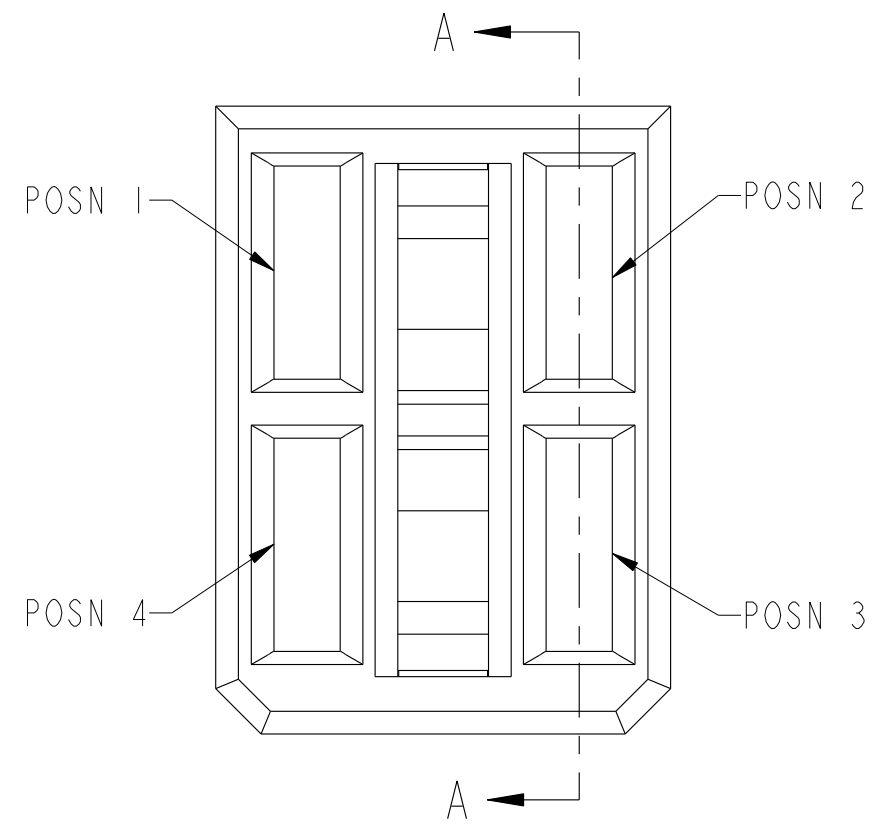
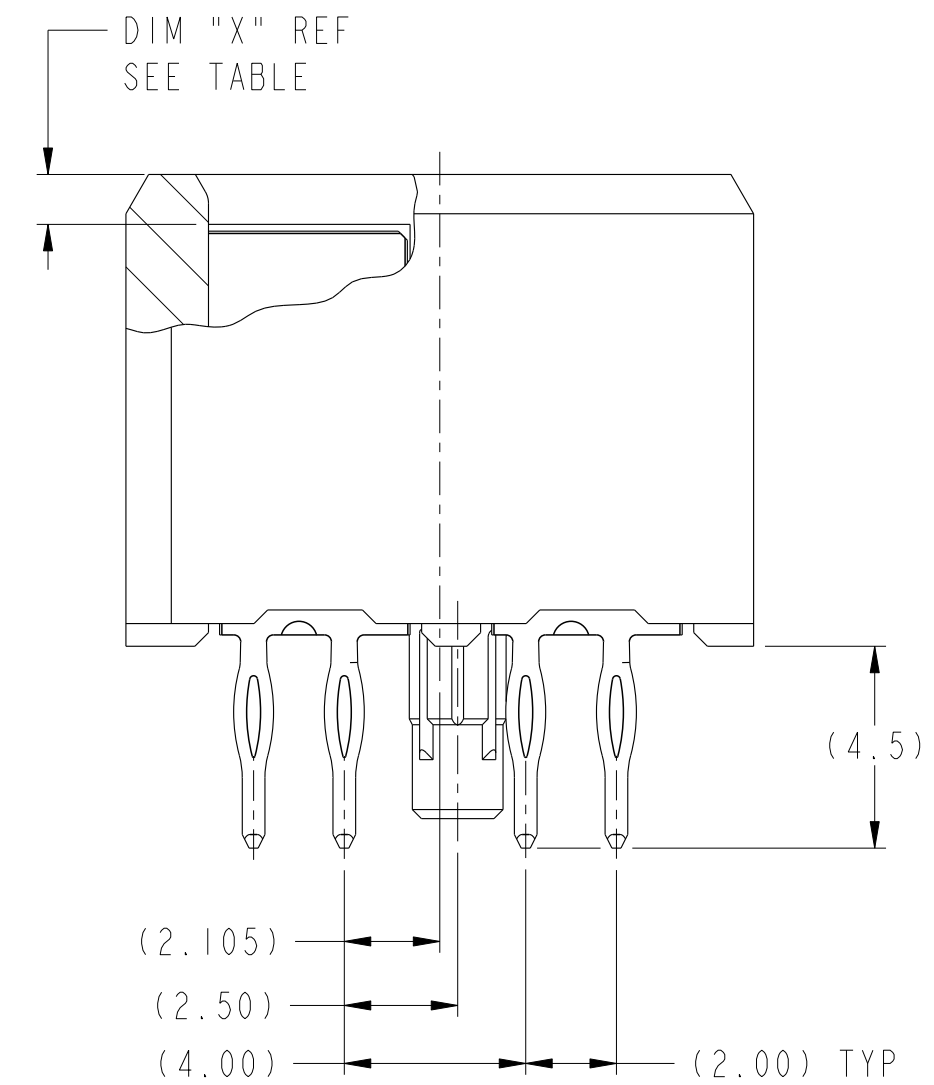
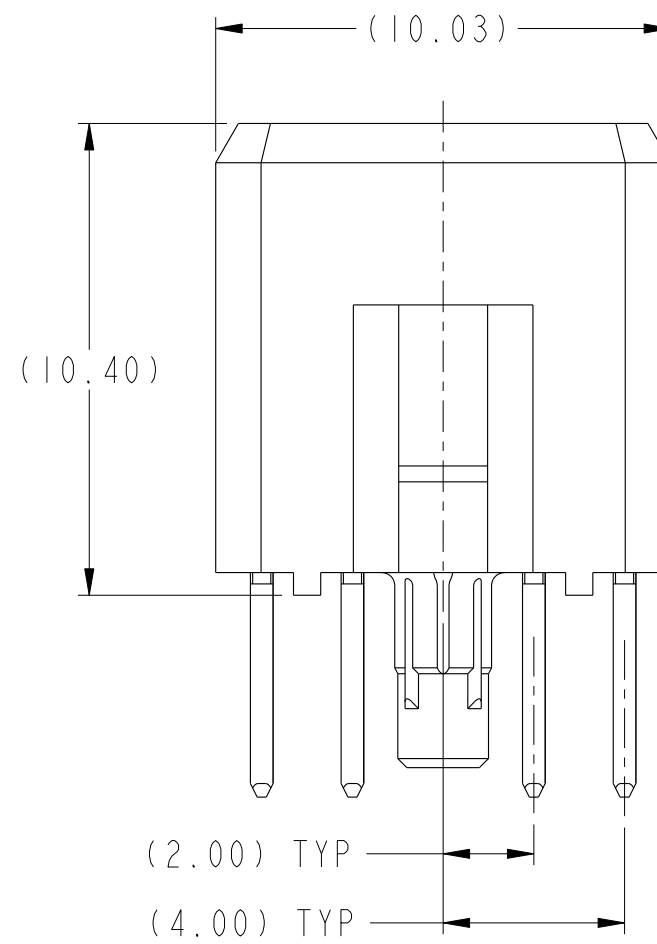
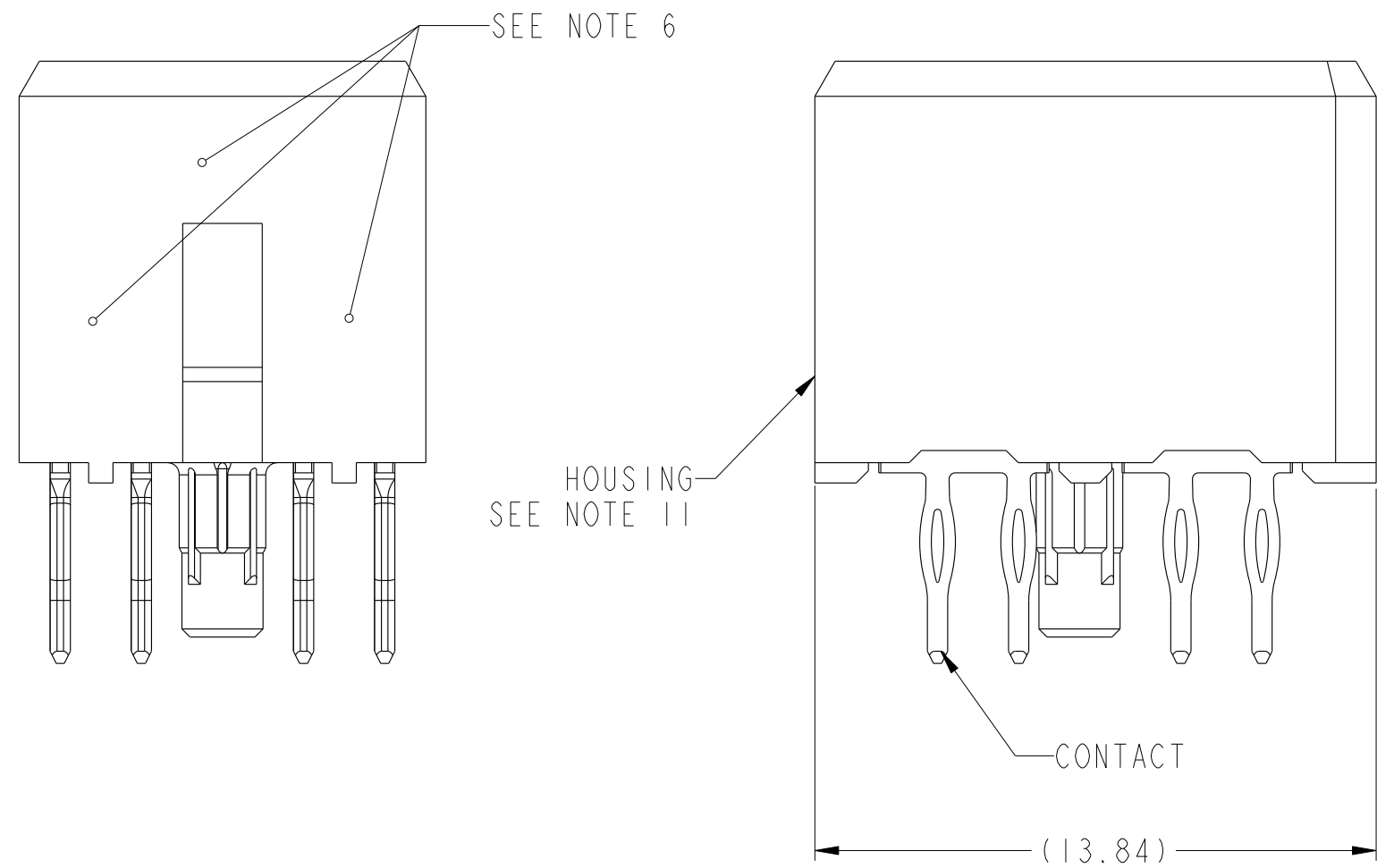


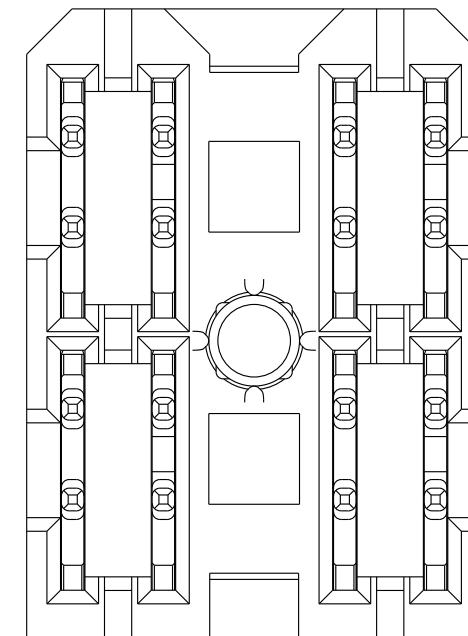
PRODUCT NUMBER ("LF" DENOTES LEAD-FREE)	CONTACT PLATING NOTE	MATING LENGTH, DIM "X"				ROHS COMPATIBILITY
		POSN 1	POSN 2	POSN 3	POSN 4	
10084602-4554P00LF	3	1.10	2.60	2.60	1.10	SEE NOTE 9



SCALE 4:1



SECTION A-A



CONFIDENTIAL

www.fciconnect.com		surface 3.2 ASME Y14.5	tolerance std ASME Y14.5	projection MM
		TOLERANCES UNLESS OTHERWISE SPECIFIED		
Dr	L.S. NGWE	2008-06-03	ANGULAR	0.X ±.3
Eng	C.H. TAN	2008-06-13	LINEAR	0.XX ±.1
Chr	C.H. TAN	2008-06-13	0° ±2°	0.XXX ±.05
Appr	JOEY NG	2008-06-13	Product family 2mm High Power	
			size	A2
			Scale	1:1
			ECN	***
			Spec ref	GS-12-220
RECEPTACLE ASSEMBLY, POWER		10084602	Rev. B	
catalog no		CUSTOMER	sheet 1 of 2	

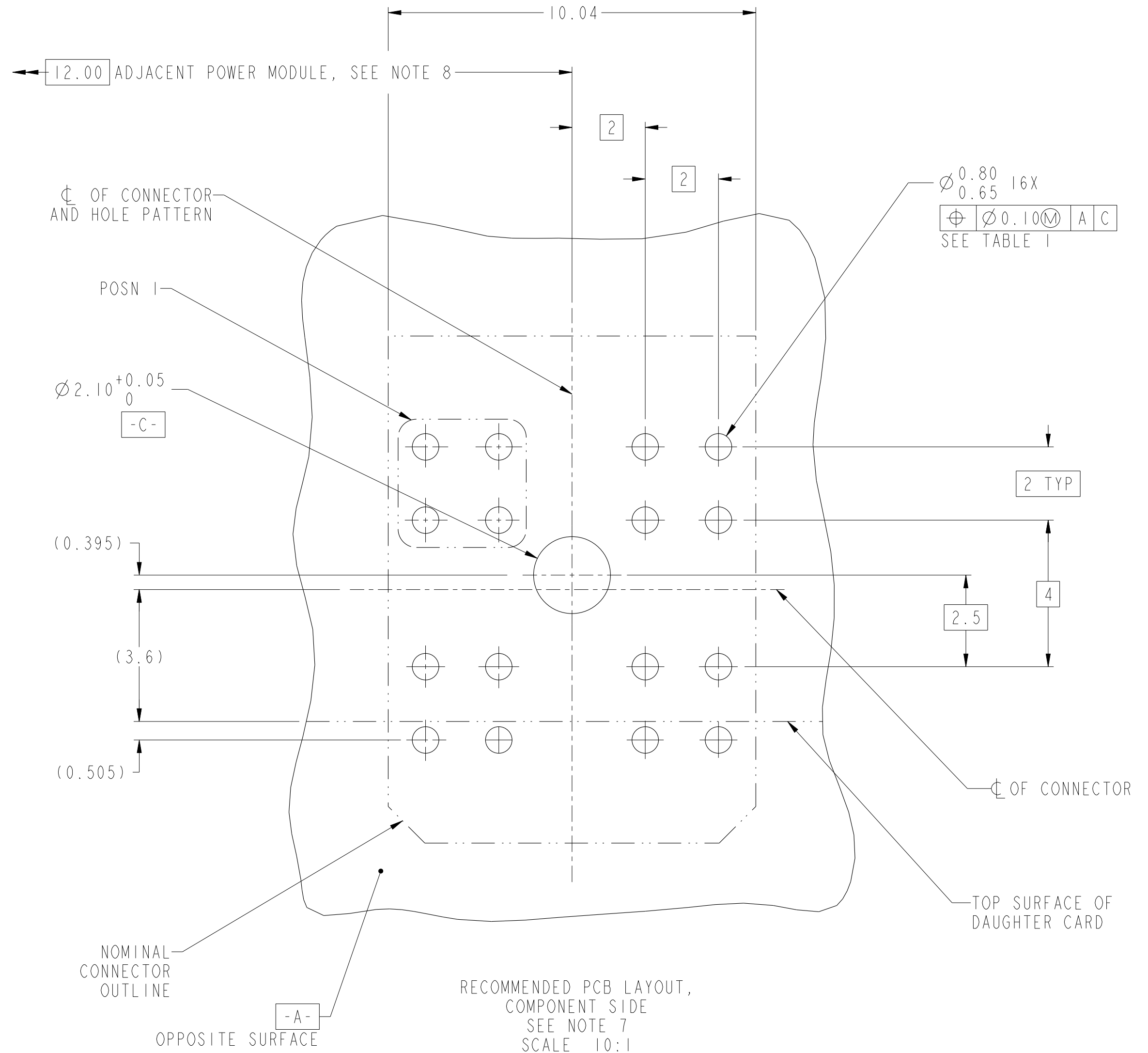
rev	ecn no	dr	date
A	S08-0174	LS	2008-06-03
B	S08-0187	LS	2008-06-13
-	-	-	-
-	-	-	-
-	-	-	-
-	-	-	-

Copyright FCI.

TOP LAYER DESCRIPTION	TABLE I PLATED THROUGH-HOLE REQUIREMENTS							
	DRILLED HOLE DIAMETER	COPPER THICKNESS	TIN-LEAD THICKNESS	NICKEL THICKNESS	GOLD THICKNESS	TIN THICKNESS	SILVER THICKNESS	FINISHED HOLE DIAMETER
TIN-LEAD	0.81-0.86 (0.85 DRILL)	0.025 - 0.050	0.005 - 0.015	--	--	--	--	0.65 - 0.80
IMMERSION TIN	0.81-0.86 (0.85 DRILL)	0.025 - 0.050	--	--	--	0.9 - 1.5um	--	0.70 - 0.80
IMMERSION SILVER	0.81-0.86 (0.85 DRILL)	0.025 - 0.050	--	--	--	--	0.15 - 0.65um	0.70 - 0.80
COPPER (SEE NOTE 12)	0.81-0.86 (0.85 DRILL)	0.025 - 0.050	--	--	--	--	--	0.70 - 0.80
GOLD	0.81-0.86 (0.85 DRILL)	0.025 - 0.050	--	0.003 - 0.007	FLASH UP TO 0.0002	--	--	0.69 - 0.80

NOTES:

1. CONNECTOR MATERIALS:
HOUSING: HIGH TEMPERATURE THERMOPLASTIC, BLACK
UL 94V-0 COMPLIANT
CONTACT: HIGH PERFORMANCE COPPER ALLOY
2. CONTACT PLATING:
PRESS-FIT TAIL: 0.5um TIN-LEAD OVER NICKEL.
SEPARABLE INTERFACE: 0.76um MIN GOLD OVER NICKEL.
3. CONTACT PLATING (LEAD-FREE):
PRESS-FIT TAIL: 0.5um MIN MATTE TIN OVER NICKEL.
SEPARABLE INTERFACE: 0.76um MIN GOLD OVER NICKEL.
4. PRODUCT SPECIFICATION: GS-12-220
5. APPLICATION SPECIFICATION: GS-20-023
6. PRODUCT MARKING (PRODUCT NUMBER & LOT CODE) ON HOUSING IN AREA SHOWN, EITHER SIDE.
7. MINIMUM NOMINAL BOARD THICKNESS: 2.4mm
8. REFER TO CUSTOMER DRAWING SK10035911 FOR INFORMATION REGARDING PCB LAYOUT OF POWER AND GUIDE MODULES RELATIVE TO AIRMAX SIGNAL MODULES.
9. PRODUCT MEETS EUROPEAN UNION DIRECTIVES AND OTHER COUNTRY REGULATIONS AS DESCRIBED IN FCI SPECIFICATION GS-22-008.
10. PACKAGING MEETS FCI SPECIFICATION GS-14-920
11. HOUSING COMPONENT WILL WITHSTAND EXPOSURE TO 260° PEAK TEMPERATURE FOR 60 SECONDS IN A CONVECTION, INFRA-RED OR VAPOR-PHASE REFLOW OVEN.
12. COPPER PLATING THICKNESS AT CENTER OF VIA HOLE CAN BE NO MORE THAN 0.003 LESS THAN OTHER AREAS.



Copyright FCI. FCI

FCI	TITLE	RECEPTACLE ASSEMBLY,	dwg no	10084602	Rev.	B
		POWER				
	CATALOG NO		CUSTOMER	sheet 2 of 2		