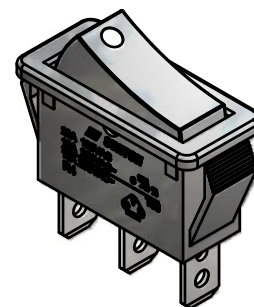
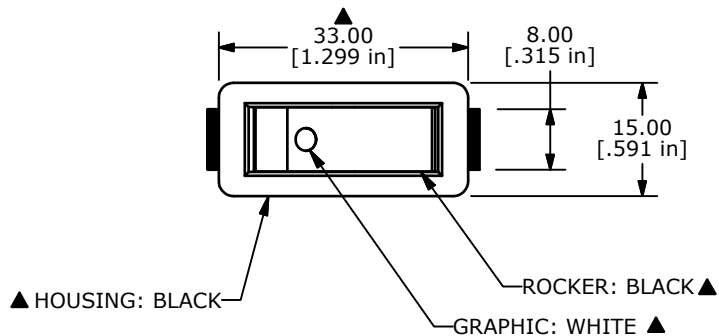
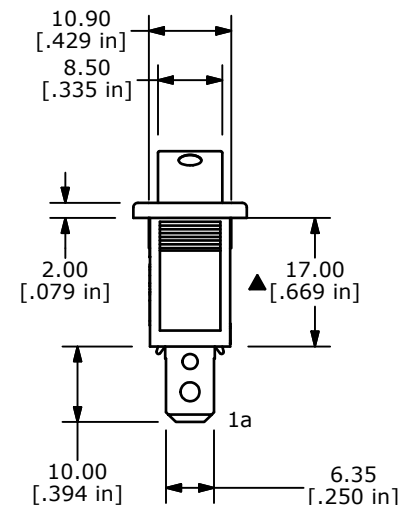
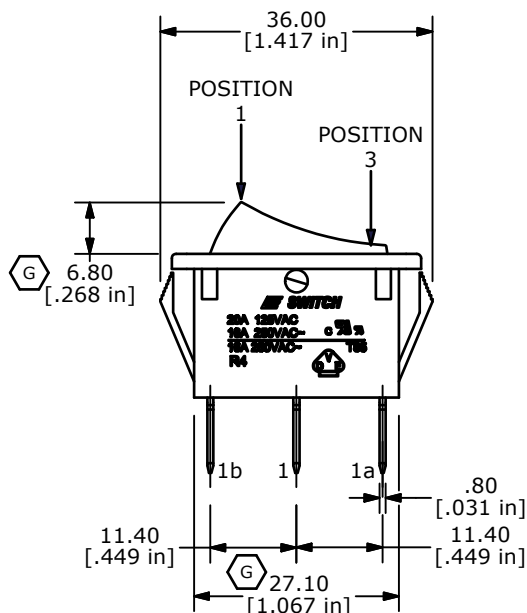
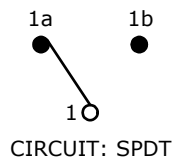


RECOMMENDED PANEL MOUNTING

| PANEL THICKNESS | X ± 0.05 |
|-----------------|----------|
| 0.75-1.25       | 29.65    |
| 1.25-2.00       | 30.15    |
| 2.00-3.00       | 30.50    |



| SWITCH FUNCTION |        |
|-----------------|--------|
| POS. 1          | POS. 3 |
|                 |        |
| ON              | ON     |
| 1-1a            | 1-1b   |



NOTES:

- ALL DIMENSIONS IN MM [INCH]
- GENERAL TOLERANCE: X.X=± 0.4  
X.XX=± 0.25
- TERM. NOS. FOR REF. ONLY
- RATING: 20A 125VAC, 16A 250VAC UL APPROVED  
16A 250VAC VDE APPROVED
- ELECTRICAL LIFE: OVER 10,000 CYCLES
- MECHANICAL LIFE: OVER 30,000 CYCLES
- CONTACT RESISTANCE: <20 mΩ(INITIAL)
- DIELECTRIC STRENGTH: >1500V 1 min
- INSULATION RESISTANCE: >1,000 mΩ @ 500V DC
- OPERATING TEMPERATURE: TERMINAL SIDE -20°C to 85°C  
ROCKER SIDE -20°C to 55°C
- ▲ DENOTES CRITICAL PARAMETER
- 2002/95/EC (ROHS) COMPLIANT



|                    |                |       |             |       |
|--------------------|----------------|-------|-------------|-------|
| TITLE R4CBLKBLKAF0 |                |       |             |       |
| SCALE 1:1          | DATE 3/20/2006 | DR -- | DWG M040122 | REV G |

|     |        |                                 |          |     |
|-----|--------|---------------------------------|----------|-----|
| G   | 19943  | CORRECT DIMS AND FUNCTION TABLE | 05/12/11 | BMA |
| F   | 19822  | UPDATE DRAWING                  | 04/06/11 | BMA |
| REV | PCR NO | DESCRIPTION                     | DATE     | BY  |

THE INFORMATION CONTAINED IN THIS DOCUMENT IS PROPRIETARY TO E-SWITCH AND IS NOT TO BE COPIED OR TRANSFERRED