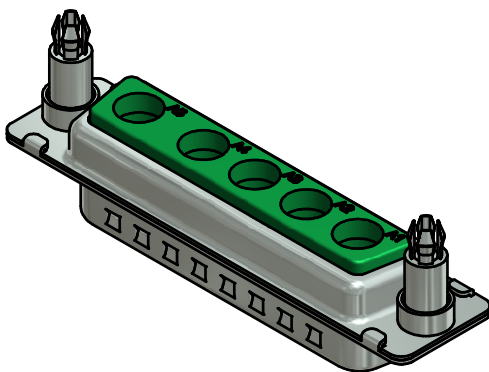
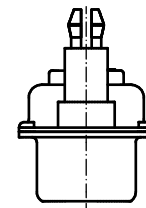
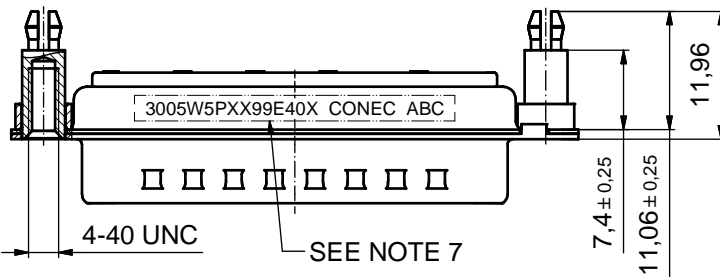
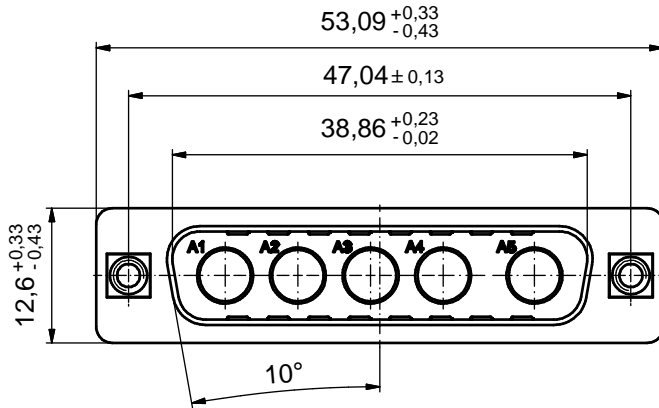
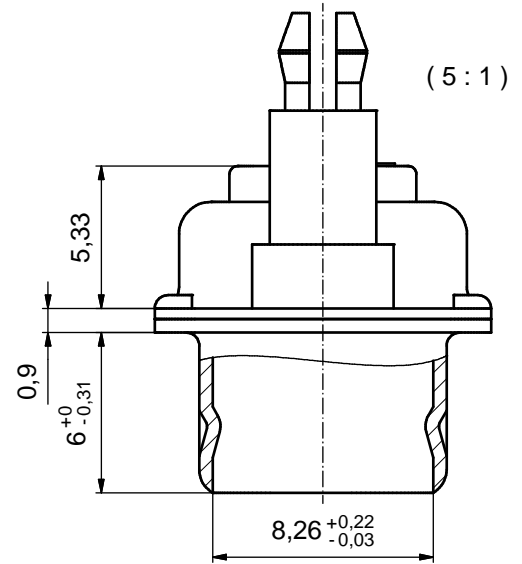


P.C.B. HOLE DRILLINGS
(P.C.B. TOP SIDE)



NOTES:

1. METALHELLS: STEEL; min. 315µm TIN over 40-80µm NICKEL
2. INSULATOR: PBT GF; UL 94 V-0; GREEN
3. NO CONTACTS ON POS A1 - A5
4. THREADED SPACER CLIPS: COPPER ALLOY; min. 200µm TIN over 80µm NICKEL
PCB-HOLE: $\varnothing 3.1 \pm 0.1$; PCB THICKNESS 2.3mm
5. COLLARS: COPPER ALLOY; min. 200µm TIN over 80µm NICKEL
6. MAXIMUM TORQUE VALUE FOR THREAD: 6 in.LB
7. CONNECTOR IS PART MARKED: 3005W5PXX99E40X CONEC ABC

Directive 2002/95/EC RoHS compliant

THIS DRAWING MAY NOT BE COPIED OR REPRODUCED IN ANY WAY, AND MAY NOT BE PASSED ON TO A THIRD PARTY WITHOUT WRITTEN PERMISSION. OWNERSHIP AND COPYRIGHT OF CONEC GmbH DO NOT ALTER CAD DRAWING BY HAND				tolerance	dim. in mm	scale:	2:1 (5:1)		
							material:	SEE NOTES	
				date	name	title: D-SUB COMBINATION MALE 5W5P with threaded spacer clip			
				drawn	20.06.14				
				appd.	23.06.14	Schmidt	dwg no:		DIN-A3
				norm			13K1A4695		
				d-old			part no:		sh: 1
	a	Original				3005W5PXX99E40X			
	rev.	description	date	name					