

LTR	DATE	REVISION		CHK	APD
A	6/27/13	508692ERA-RELEASED	FYUE		

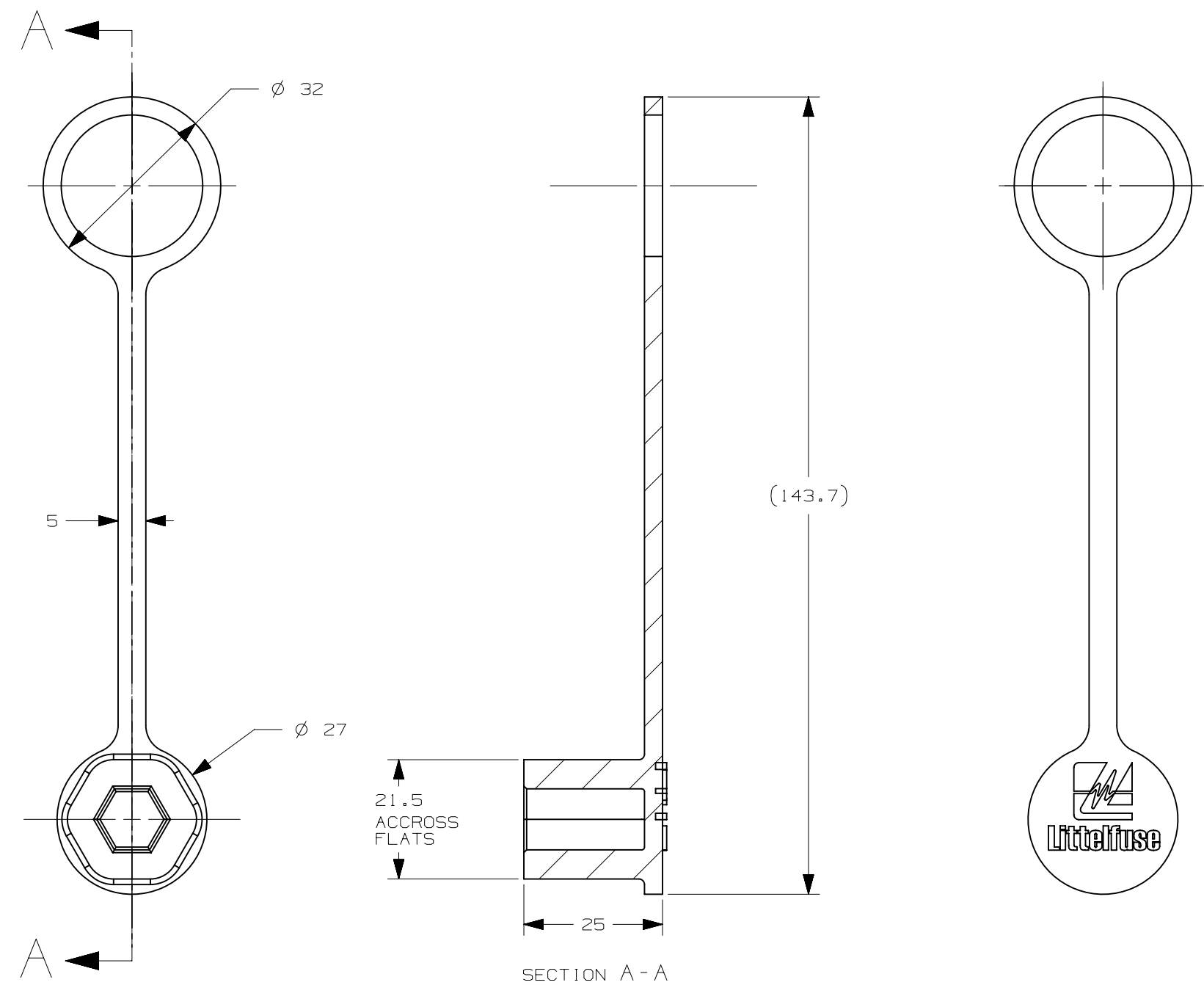


FIGURE 1. M8 STUD CAP

PART #	BASE PART	DESCRIPTION	FIGURE
09230025LXRED	923-025-001	STUD CAP-3/8" RED	2
09230025LXBLK	923-025-002	STUD CAP-3/8" BLACK	2
09230025LXREDM8	923-025-003	STUD CAP-M8 RED	1
09230025LXBLKM8	923-025-004	STUD CAP-M8 BLACK	1

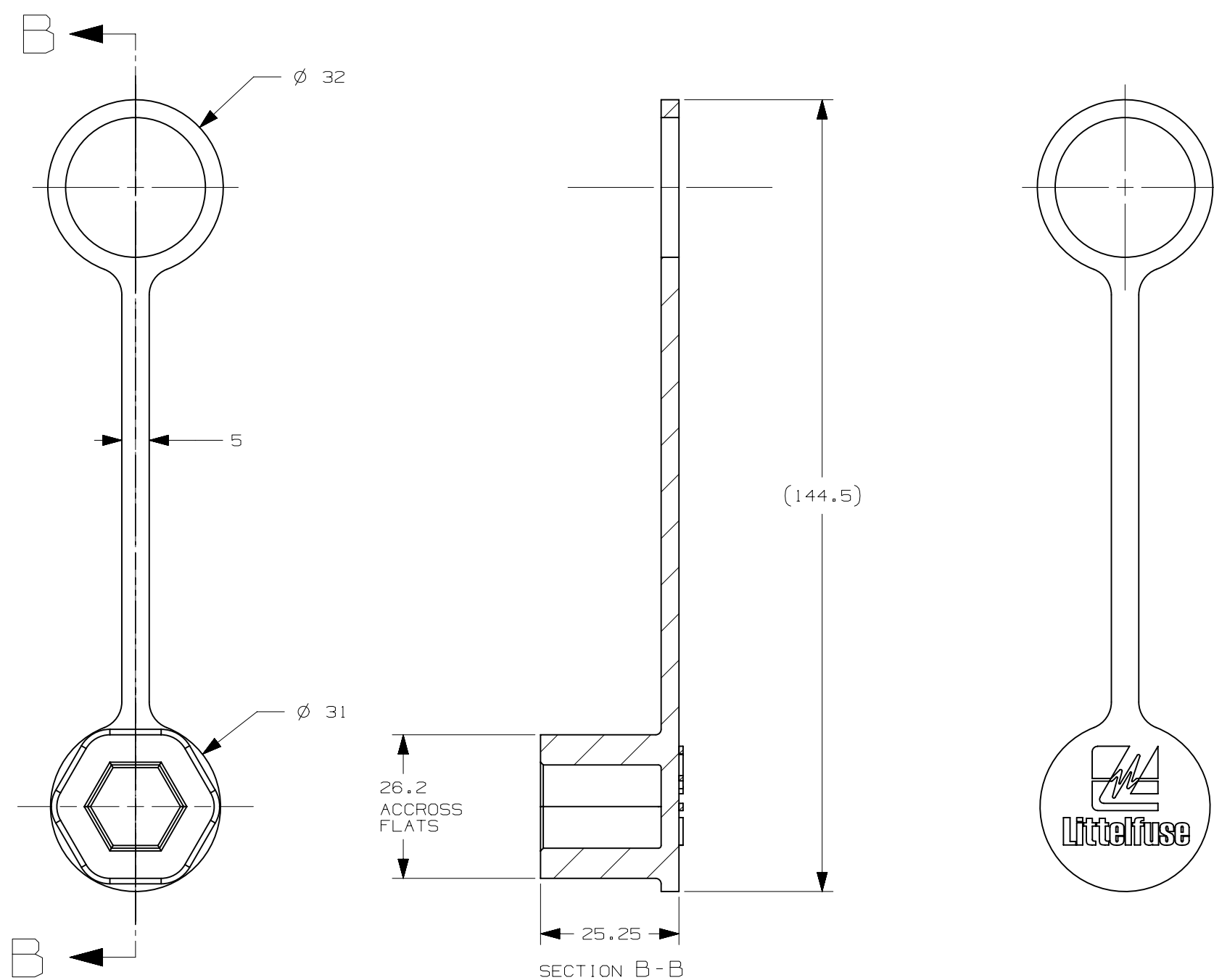


FIGURE 2. 3/8" STUD CAP

NO	COMPONENT NO	DESCRIPTION	QTY/M	U/M
BILL OF MATERIAL				
UNLESS OTHERWISE SPECIFIED, DIMENSIONS ARE IN MILLIMETERS. DIMENSIONS IN BRACKETS [] ARE INCHES				
UNLESS OTHERWISE SPECIFIED, DIMENSIONS DO NOT INCLUDE PLATING.				
⊙	DENOTES CRITICAL CHARACTERISTICS.			
CPK	DENOTES CPK DIMENSIONS, -MINIMUM CPK VALUE			
(ST)	DENOTES A CHARACTERISTIC THAT PROVIDES AN INDICATION OF PROCESS PERFORMANCE. PROCEDURE FOR MEASUREMENT AND TRACKING TO BE DEFINED IN LITTELFUSE INSPECTION INSTRUCTIONS			
CP	DENOTES CP DIMENSIONS, -MINIMUM CP VALUE MUST BE WITHIN THE DIMENSIONAL LIMITATIONS SHOWN ON DRAWING AND INITIALLY LOCATED TO ALLOW FOR MAXIMUM TOOL LIFE			
COPIES TO	MATL SPEC SILICONE			
1 9 18	FINISH SEE CHART FOR COLOR			
2 10 19	DRW	FYUE	DATE	06/27/13
3 12 20	SCALE	1:1		
4 13 21	CHK	FYUE	DATE	
5 14 23	SUPER DR			
6 15 33	APPD	DATE	FINSH GOOD WT	
7 16 43	GRAMS/PIECE			
8 17 53	TOLERANCES UNLESS OTHERWISE SPECIFIED (REF. ISO 2768-MH)			
DIMENSION	0.5 - 3	3 - 6	6 - 30	30 - 120
TOLERANCE	+0.05	+0.05	+0.1	+0.15
3RD ANGLE PROJECTION	TITLE STUD CAPS			
METRIC COMPONENT		Littelfuse		CHICAGO, USA 773-628-1000
REVISION	DRWG. NO.	OUTLINE		
A	0L-09230025LX	SERIES		

METRIC COMPONENT

Littelfuse

REVISION: A
DRWG. NO.: 0L-09230025LX
OUTLINE SERIES

CAD GENERATED DRAWING - NO PENCIL CHANGES ALLOWED (rev C)