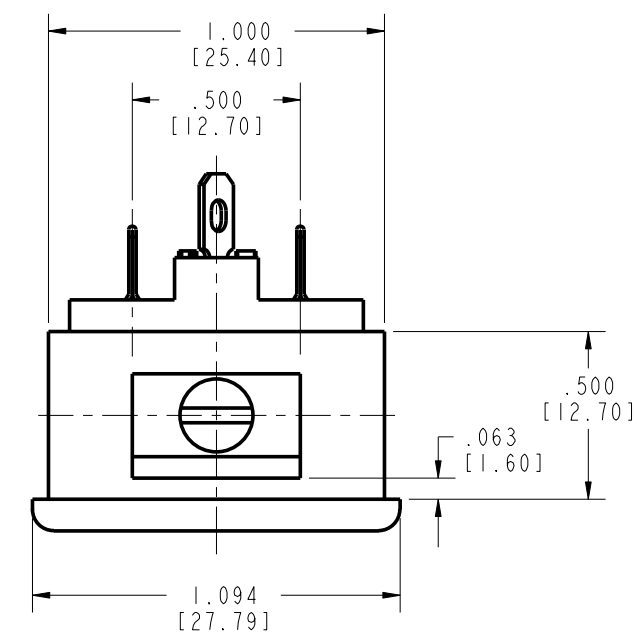
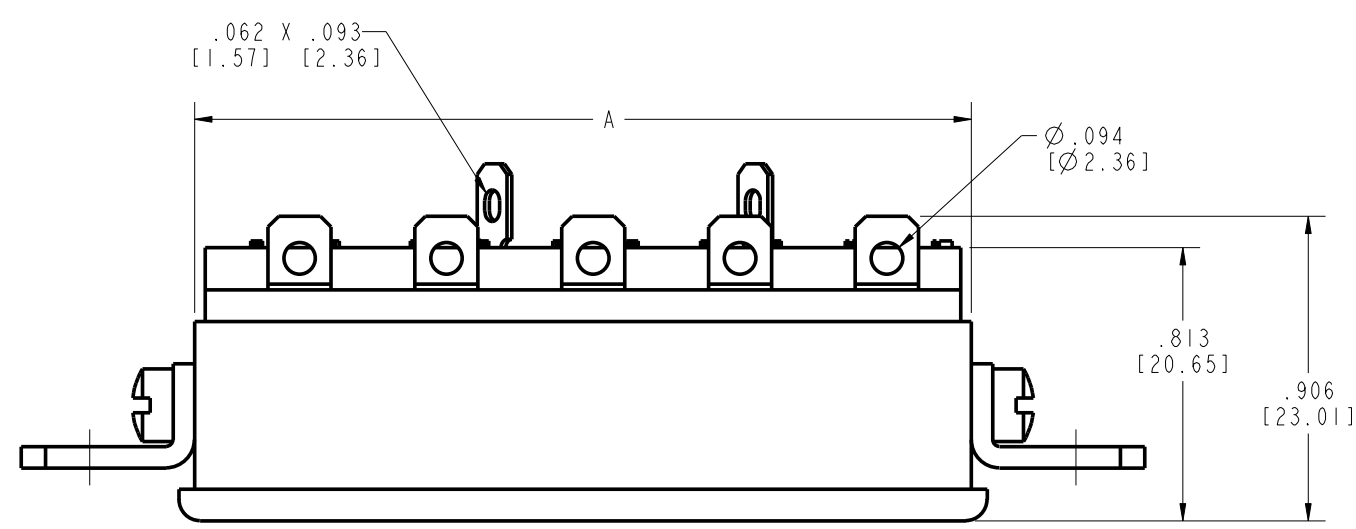
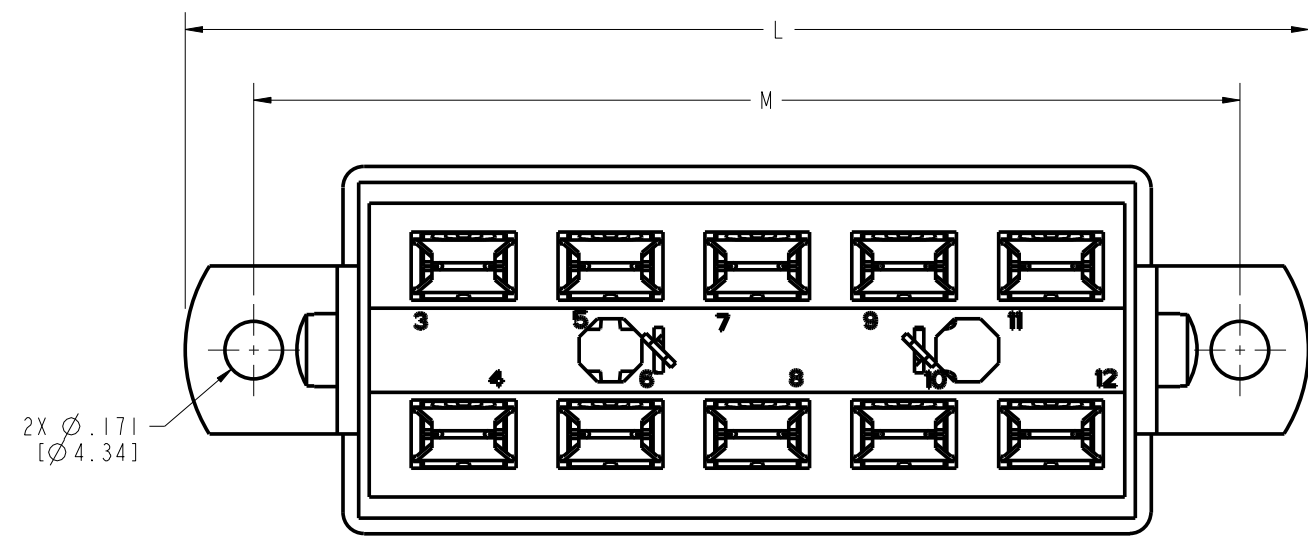


DRAWING REVISIONS

REV	DOCUMENT	APP	DATE
1	DO 06-1068		

PART NUMBER	SIZE	L	M	A	FACTORY NUMBER
S-2404H-AB	4	2.031 [51.59]	1.625 [41.28]	1.000 [25.40]	703 04 04 001
S-2406H-AB	6	2.469 [62.71]	2.063 [52.40]	1.438 [36.53]	703 04 06 001
S-2408H-AB	8	2.906 [73.81]	2.500 [63.50]	1.875 [47.63]	703 04 08 001
S-2410H-AB	10	3.344 [84.94]	2.938 [74.63]	2.313 [58.75]	703 04 10 001
S-2412H-AB	12	3.781 [96.04]	3.375 [85.73]	2.750 [69.85]	703 04 12 001



NOTES:
 1. SPECIFICATIONS:
 ELECTRICAL:
 OPERATING VOLTAGE: 250 VAC RMS
 CURRENT RATING: 15 AMPS
 CURRENT RESISTANCE: 1.0 MILLIOHMS MAXIMUM

INSULATOR: MOLDED MONBLOCK, GENERAL PURPOSE PHENOLIC, BLACK

CONTACT: PHOSPHOR BRONZE, MATTE TIN

BRACKET, SCREW: STEEL, ZINC WITH CLEAR TRVALENT CHROME

ENVIRONMENTAL:
 OPERATING TEMPERATURE: UP TO +105°C

TERMINATION: SOLDER

2. DIMENSIONS IN [] ARE MILLIMETERS

3. ALL DIMENSIONS ARE REFERENCE

RoHS COMPLIANT

UNITS ENGLISH INCHES		PRO/E		MODELED BY: JIMENEZ	
DO NOT SCALE DRAWING		DRAWN BY JIMENEZ	DATE 7/31/06	TITLE SOCKET AND ANGLE BRACKET ASSEMBLY	
UNLESS OTHERWISE SPECIFIED: ALL DIMENSIONS ARE IN INCHES		DESIGN ENGINEER A. BALI	7/31/06	CONTROL SPEC NUMBER 06-1068	
FILLET/RADII .02 MAX		DESIGN ENGINEERING MGR.		MATERIAL SPEC NUMBER	PROJECT NUMBER C14789-2
TOLERANCES ±.1 ±.01 .XXX ±.005 ANGULAR ±.5		MFG. ENGINEERING		CAD FILE NUMBER S2404HAB	DRAWING NUMBER S-2404H-AB
THIS DOCUMENT IS THE PROPERTY OF CINCH. NEITHER THIS DOCUMENT NOR ANY OF THE INFORMATION CONTAINED IN IT MAY BE DUPLICATED OR DISCLOSED WITHOUT PRIOR WRITTEN CONSENT OF CINCH.		QUALITY ASSURANCE		CAGE IDENT NO. SIZE 71785 B	SCALE 1.000 SHEET 1 OF 1